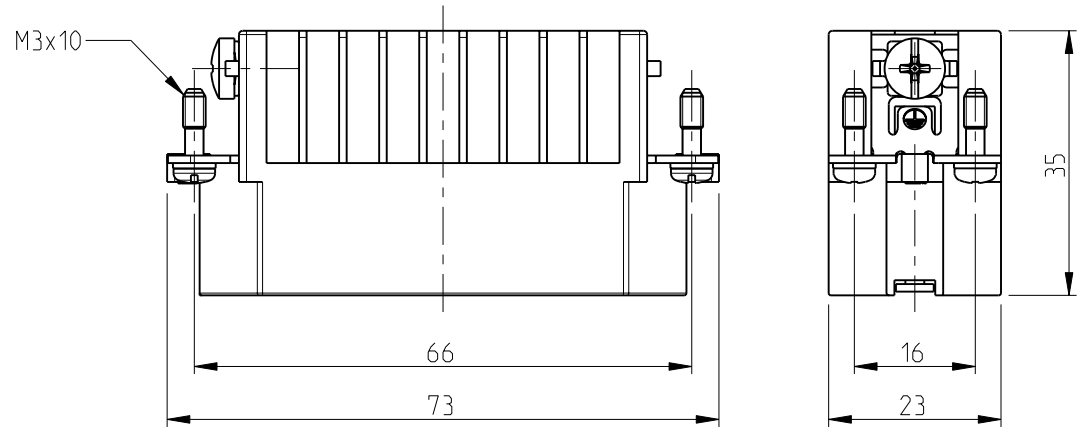


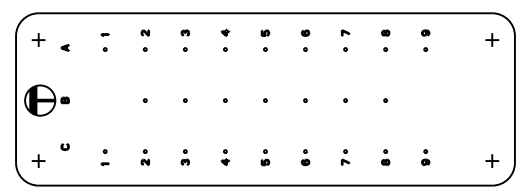
THIS DRAWING IS UNPUBLISHED. RELEASED FOR PUBLICATION .1997
 © COPYRIGHT 1997 BY TYCO ELECTRONICS CORPORATION. ALL RIGHTS RESERVED.

LOC	DIST	REVISIONS					
A1		P	LTR	DESCRIPTION	DATE	DWN	APVD
			A6	Released as per ECR-08-019210	31.Jul.2008	SP	TS

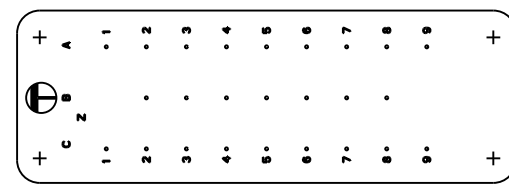
PN 2-3 as shown



CONTACT ARRANGEMENT FOR PN 2-3 & 2-8
 VIEW FROM TERMINATION SIDE



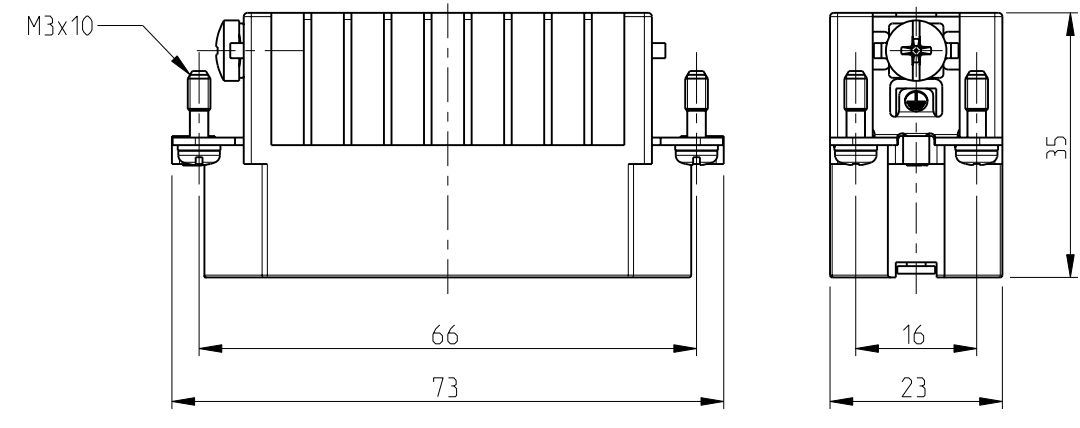
CONTACT ARRANGEMENT FOR PN 0-1
 VIEW FROM TERMINATION SIDE



NOTES

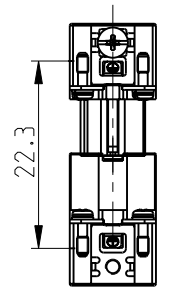
- 1 Material: Insert , PC UL-File Nr : E101788(R)
- 2 Finish: Zinc plated contact: Ag, Au
- 3 Packaging quantity 5 pieces in a box.

PN 0-1 as shown

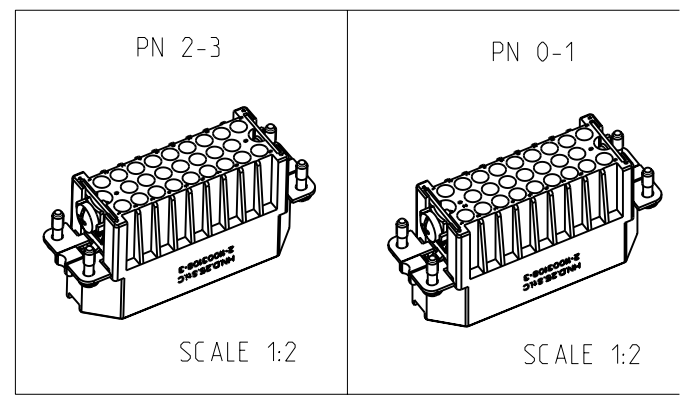


ASSEMBLING INSTRUCTION

Max. 24mm was away for safe contacting

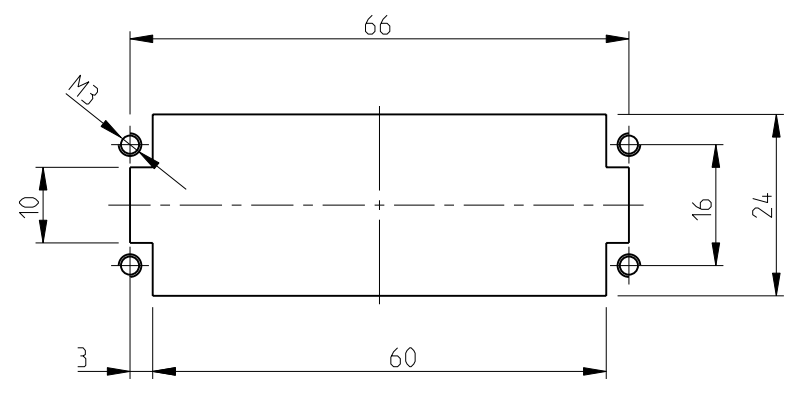


SCALE 1:2



Panel cutout for contact insert

When used without housing



OBSOLETE		1	Male Insert HN.D25	Ryton	Dark Brown	2	
1	1	1	Male Insert HN.D25	1	Dark Grey	1	
0-1	2-8	2-3	DESCRIPTION	MATERIAL	COLOR	ITEM NO	REMARKS
ORDERING TEXT							
HN.D25.Sti.C B1-25							
HN.D-RY.25.Sti.C B1-25							
HN.D25.Sti.C B1-25/Z							

THIS DRAWING IS A CONTROLLED DOCUMENT FOR TYCO ELECTRONICS CORPORATION IT IS SUBJECT TO CHANGE AND THE CONTROLLING ENGINEERING ORGANIZATION SHOULD BE CONTACTED FOR THE LATEST REVISION.	
DIMENSIONS: mm	TOLERANCES UNLESS OTHERWISE SPECIFIED: n.ISO 8015: n.ISO 2768-mS-E: n.DIN 16901-120
	0 PLC ± 1 PLC ± 2 PLC ± 3 PLC ± 4 PLC ± ANGLES ±
MATERIAL 1	FINISH 2

DWN	Schneider	03.11.1998	Tyco Electronics		Tyco Electronics.AMP.GmbH			
CHK	Schweiger	03.11.1998	D-53819.Neunkirchen.Germany					
APVD	-	-	NAME					
PRODUCT SPEC	Male insert HN.D.25.Sti.C							
APPLICATION SPEC	-							
WEIGHT	57 g	SIZE	A3	CAGE CODE	00779	DRAWING NO	©=1103108	
CUSTOMER DRAWING			SCALE	1:1	SHEET	1 OF 1	REV	A6