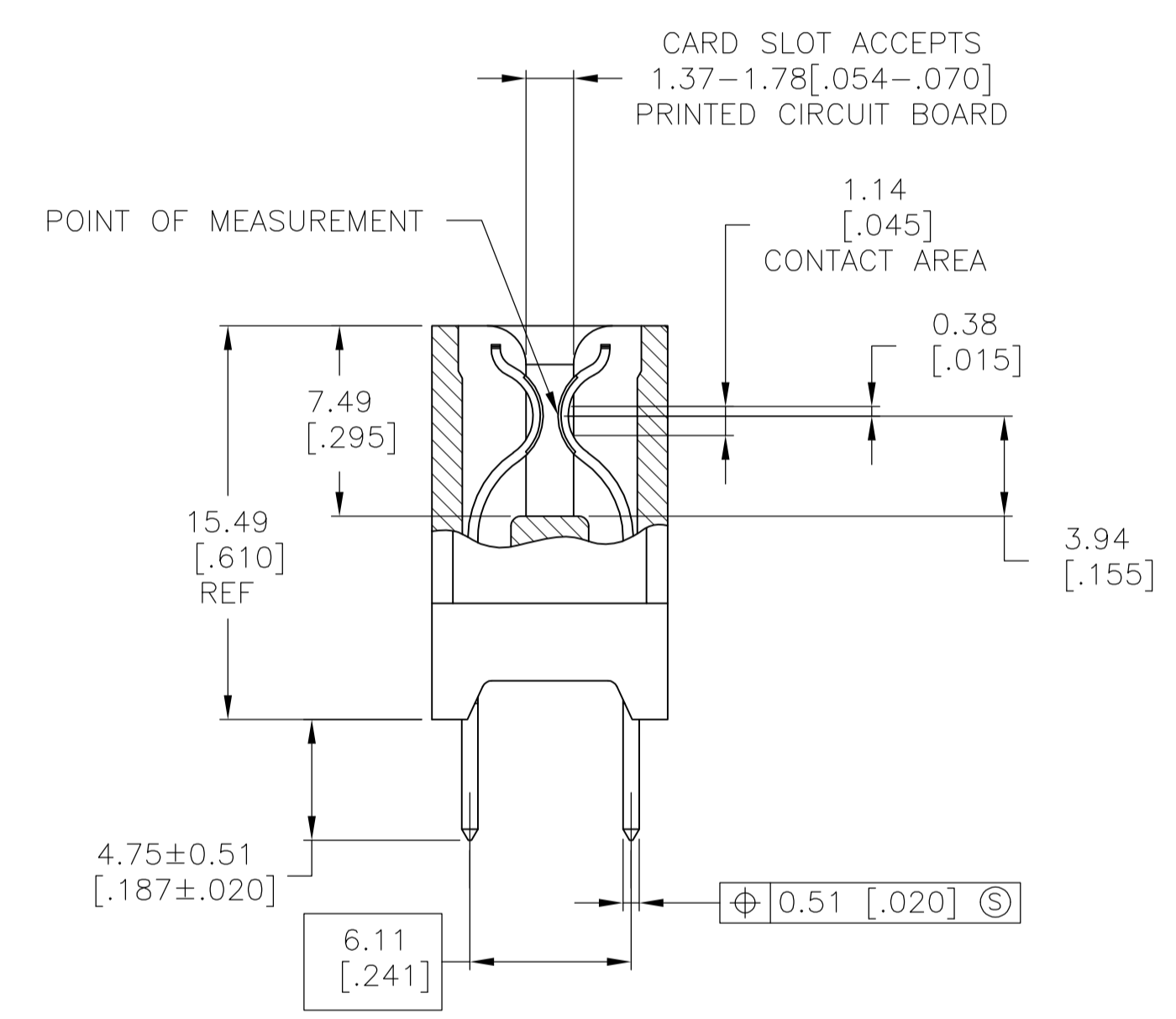
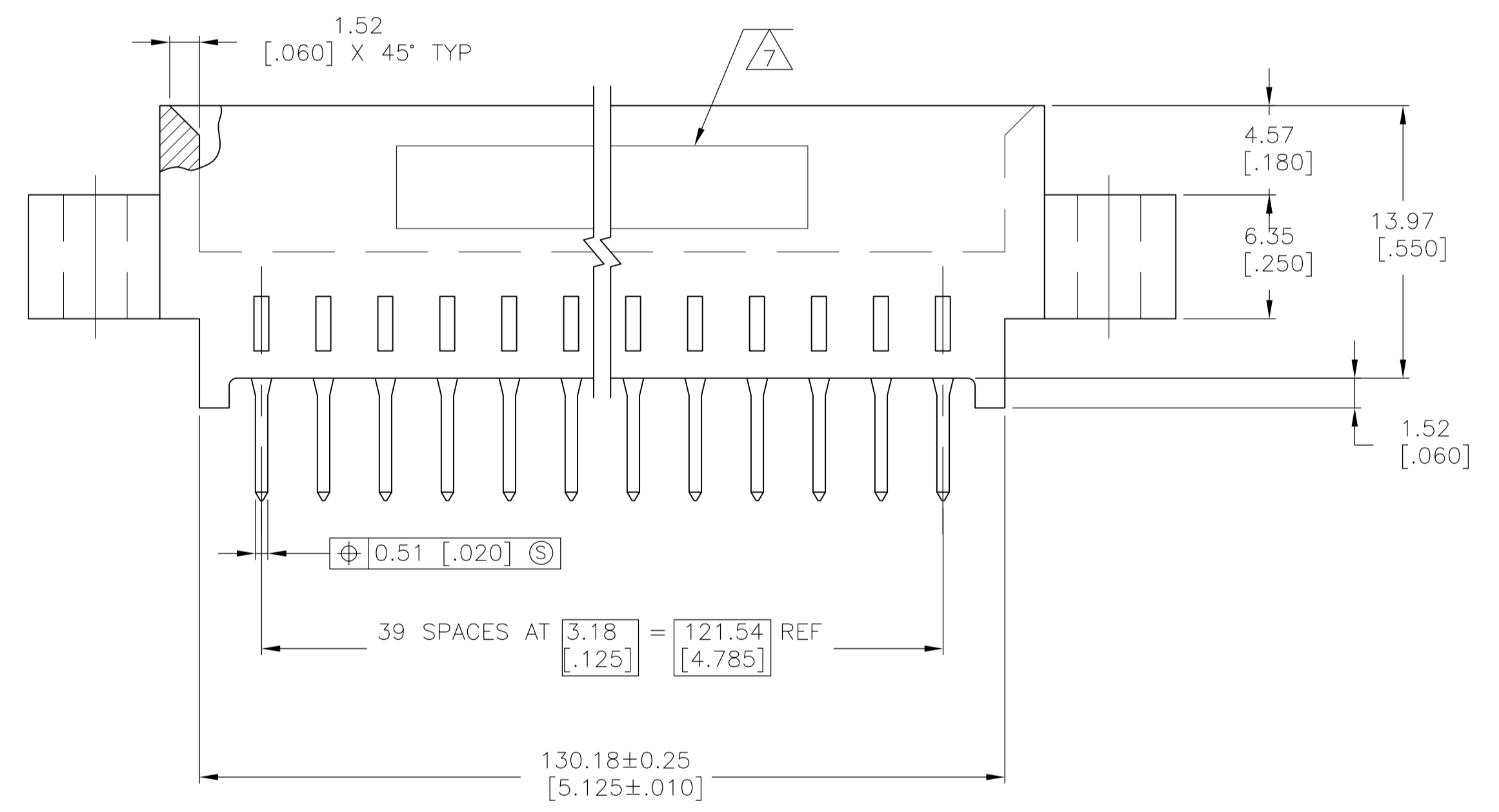
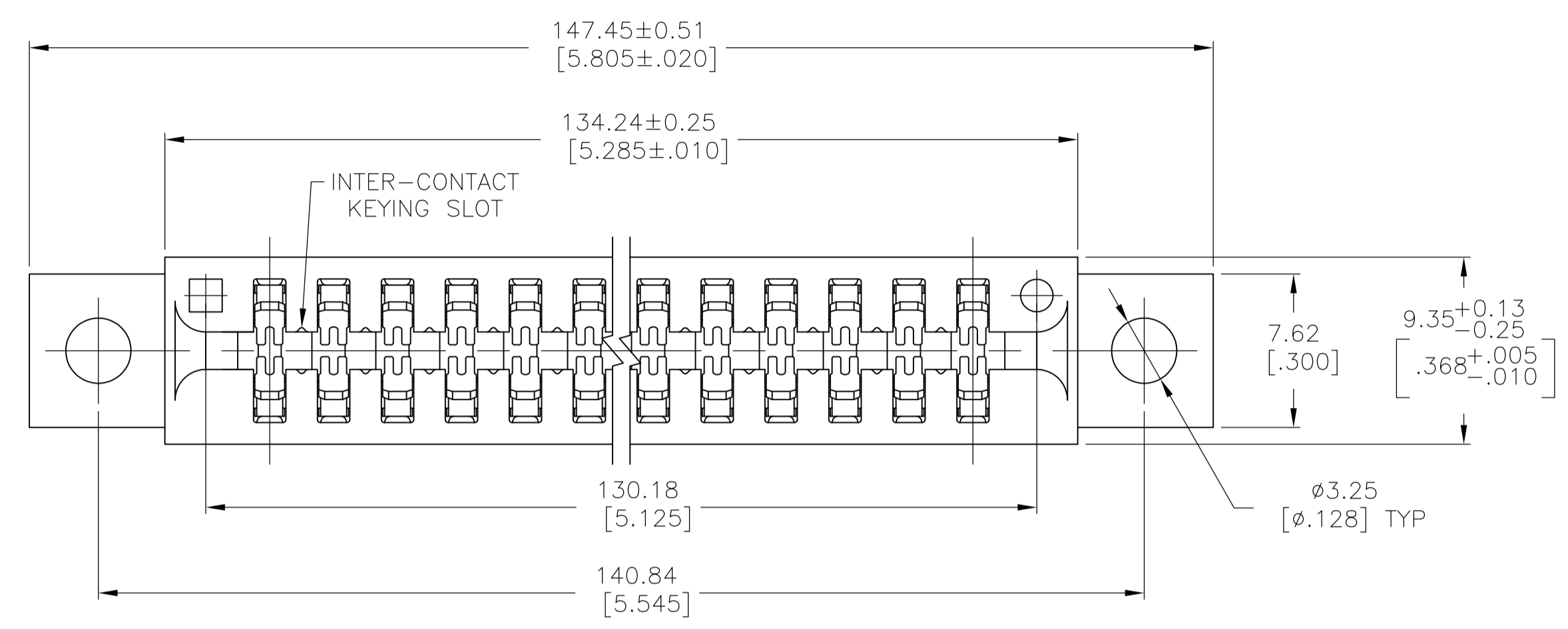


LOC		DIST		REVISIONS			
AD	00	REV	DESCRIPTION	DATE	BY	APPV	
B		ECO-05-009665		01FEB06	BSV	MM	
B1		REVISED PER ECO-09-022908		08OCT09	KK	AEG	



- 1 HOUSING: GLASS FILLED POLYESTER; COLOR: BLACK.
- 2 CONTACT: PHOSPHOR BRONZE.
- 3 NICKEL UNDERPLATE: 0.00127 [.000050] MIN - ALL OVER.
- 4 TIN-LEAD PLATE: 0.00254 [.000100] MIN - SOLDER POSTS.
- 5 GOLD PLATE: 0.00076 [.000030] MIN - CONTACT AREA.
- 6 NICKEL PLATE PER MIL-G-45204. GOLD PLATE PER QQ-N-290.
- 7 AMP PART NUMBER AND DATE CODE ARE MARKED IN APPROXIMATE AREA SHOWN, EITHER SIDE.
- 8. RECOMMENDED PCB FINISHED HOLE DIA, 1.07 ± 0.08 [.042 ± .003].
- 9 MATTE TIN PLATE: 0.00254 [.000100] MIN - SOLDER POSTS.
- 10 OBSOLETE PARTS: OBSOLETE CIS STREAMLINING PER D.RENAUD/D.SINISI

△ OBSOLETE	40	△ 5-650516-1
	40	650516-1
	NO. OF POSN	PART NUMBER

THIS DRAWING IS A CONTROLLED DOCUMENT.

DIMENSIONS: mm [INCHES]	TOLERANCES UNLESS OTHERWISE SPECIFIED:	0 PLC ± -	1 PLC ± -	2 PLC ± 0.13 [.005]	3 PLC ± -	4 PLC ± -	ANGLES ± -
MATERIAL HOUSING: △ CONTACT: △△△△		FINISH		WEIGHT		RESTRICTED TO	
CUSTOMER DRAWING		SCALE 4:1		SHEET 1 OF 1		REV B1	

Tyco Electronics Corporation
 Harrisburg, Pa 17105-3608
 Tyco Electronics
 CONNECTOR ASSEMBLY, STANDARD EDGE II, 3.18 [.125] CL
 SIZE: A1 CAGE CODE: 00779 DRAWING NO: 650516
 DATE: 11/6/91
 CHK: J. DIORAZIO 8-10-92
 APVD: J. DIORAZIO 8-10-92
 PRODUCT SPEC: 108-9039
 APPLICATION SPEC: