



# L59U Series Snapfit Low Profile LED Ø.250" Panel Mount Indicator



## Description and Features

- **SNAPFIT LOW PROFILE LED INDICATOR LIGHTS**
- **1/4" DIA. MOUNTING HOLE**
- **BLACK NYLON HOUSING WITH INTEGRAL BEZEL • 6" WIRE LEADS**
- **CLEAR OR DIFFUSED LED • VARIOUS LED COLORS • 2 TO 24 VOLTS D.C.**

The L59U Series LED indicators are constructed with a low profile black nylon housing with integral bezel.

Each unit is supplied with a high brightness clear or diffused LED and two color-coded 6" wire leads.

Standard voltages range from 2 to 24VDC.

Indicators snapfit into 0.250" (6.35mm) diameter mounting hole with a recommended panel thickness range of 0.030" to 0.062" [0.762mm to 13.575mm] thick.

Current: 20mA typical.

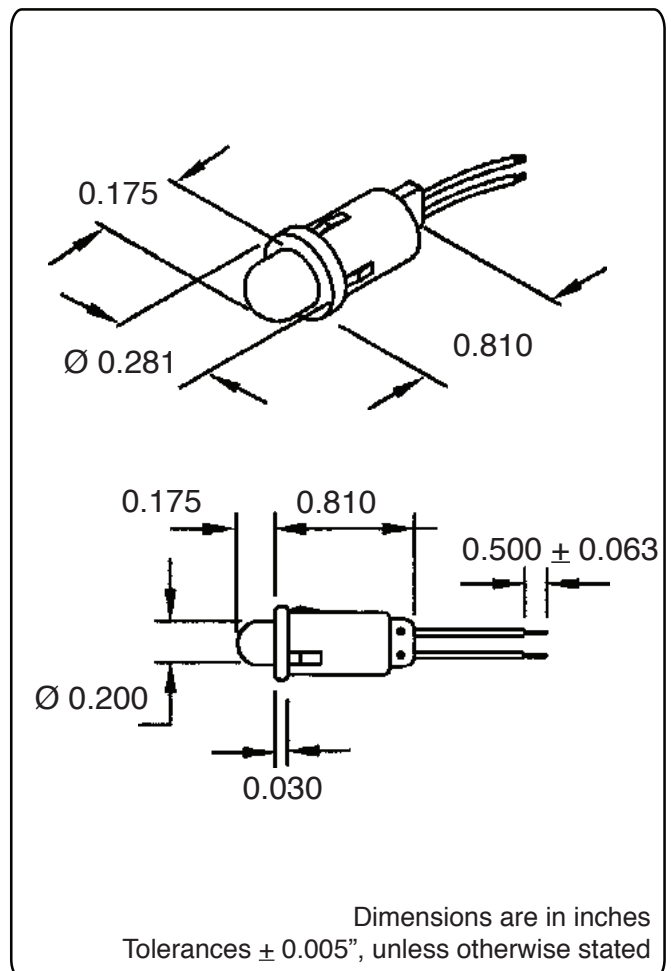
Housing: black nylon.

LED Lens: clear (L59UC) or diffused (L59UD).

LED DC voltage options: 2 to 24 volts DC.

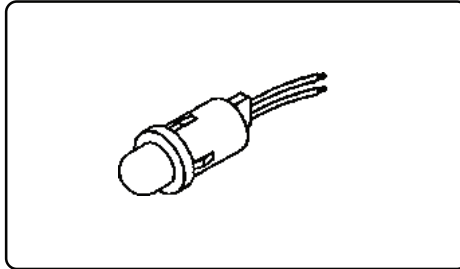
Wire Leads: 6"±0.125" [152.4mm±3.17mm], #24 AWG prebonded copper, thin wall PVC, UL/CSA rated 105° C, stripped 1/2". A red wire lead which denotes the anode (+) while a black wire lead identifies the cathode (-). Custom wire lengths, stripping, termination and wire types are available.

Other LEDs: bi-color, low current or ultra bright.



## Ordering Data

**LED Indicator Light**  
**2 to 24 Volts DC**  
**Clear or Diffused LED**  
**1/4" Mounting Hole**



**6" Wire Leads**  
**Black Nylon Housing**  
**With Integral Bezel**  
**Various LED Colors**  
**SnapFit Mounting**

Part Number	Lens Style	Lens Color	Design Volts DC	Typical Intensity (mcd)	Typical Viewing Angle
L59UC-G2-W	Clear	Green	2	50	30°
L59UC-G6-W	Clear	Green	6	50	30°
L59UC-G12-W	Clear	Green	12	50	30°
L59UC-G24-W	Clear	Green	24	50	30°
L59UC-R2-W	Clear	Red	2	50	30°
L59UC-R6-W	Clear	Red	6	50	30°
L59UC-R12-W	Clear	Red	12	50	30°
L59UC-R24-W	Clear	Red	24	50	30°
L59UC-Y2-W	Clear	Yellow	2	50	30°
L59UC-Y6-W	Clear	Yellow	6	50	30°
L59UC-Y12-W	Clear	Yellow	12	50	30°
L59UC-Y24-W	Clear	Yellow	24	50	30°
L59UD-G2-W	Diffused	Green	2	20	60°
L59UD-G6-W	Diffused	Green	6	20	60°
L59UD-G12-W	Diffused	Green	12	20	60°
L59UD-G24-W	Diffused	Green	24	20	60°
L59UD-R2-W	Diffused	Red	2	10	60°
L59UD-R6-W	Diffused	Red	6	10	60°
L59UD-R12-W	Diffused	Red	12	10	60°
L59UD-R24-W	Diffused	Red	24	10	60°
L59UD-Y2-W	Diffused	Yellow	2	20	60°
L59UD-Y6-W	Diffused	Yellow	6	20	60°
L59UD-Y12-W	Diffused	Yellow	12	20	60°
L59UD-Y24-W	Diffused	Yellow	24	20	60°

**Polarity Determination - Wire Leads:** Red wire lead denotes anode (+); black wire lead denotes cathode (-).