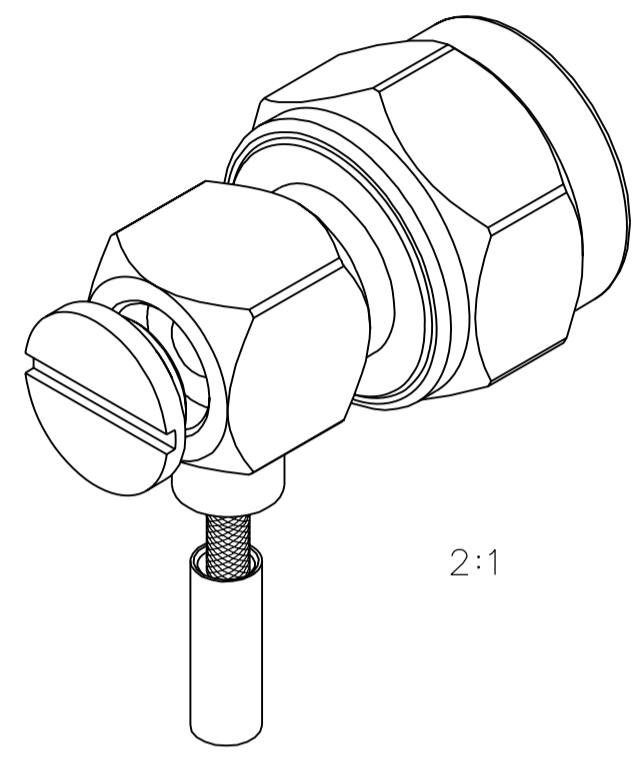


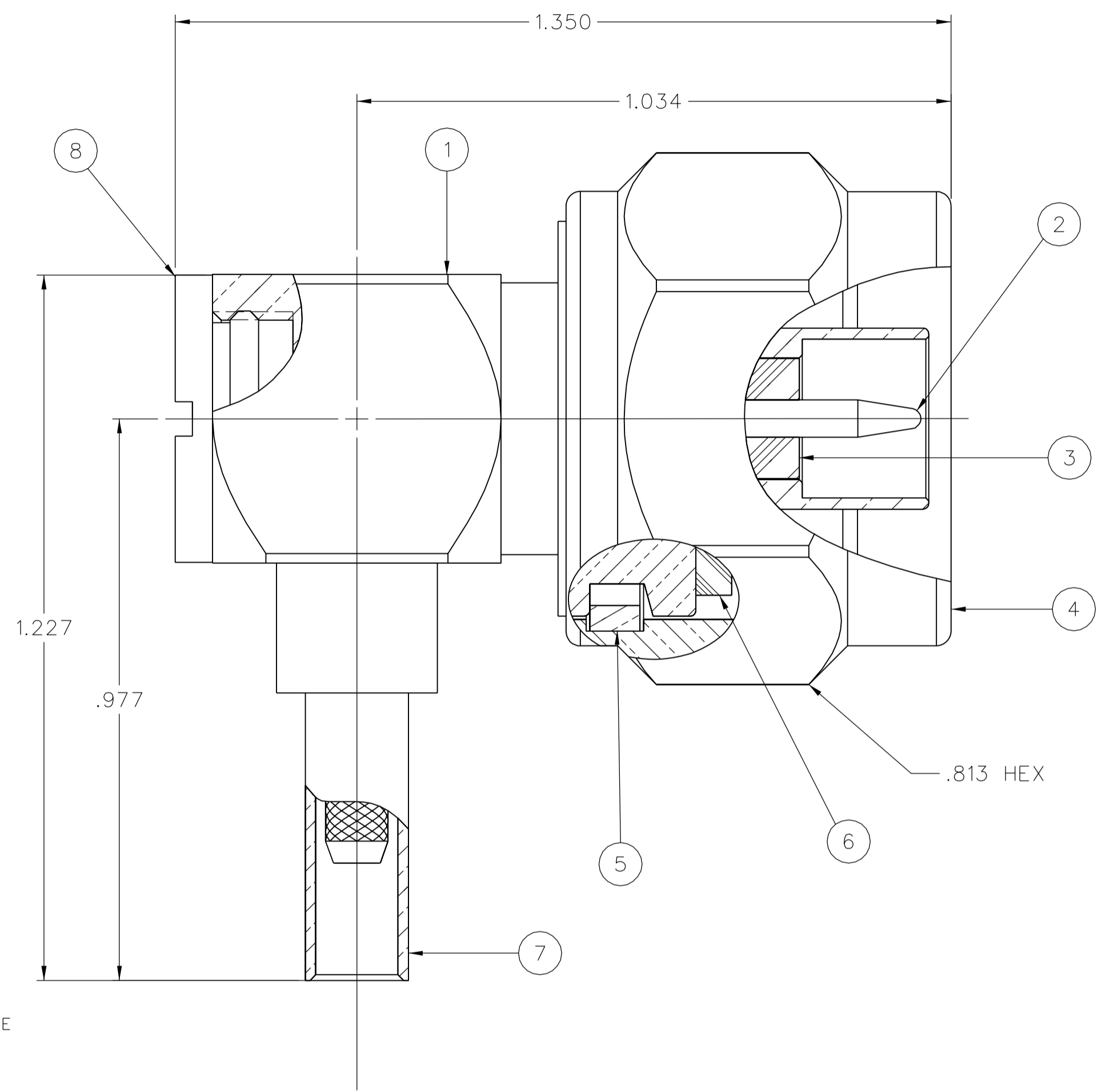
PART NUMBER	ITEM ① BODY	ITEM ② CONTACT	ITEM ③ INSULATOR	ITEM ④ COUPLING NUT	ITEM ⑤ RETENTION SPRING	ITEM ⑥ SEAL GASKET	ITEM ⑦ CRIMP SLEEVE	ITEM ⑧ END CAP
138-4404-106	BRASS NICKEL PL .0001 MIN OVER COPPER PL .00005 MIN	BRASS GOLD PL .00005 MIN OVER NICKEL PL .00005 MIN OVER COPPER PL .00005 MIN	TEFLON	BRASS NICKEL PL .0001 MIN OVER COPPER PL .00005 MIN	BERYLLIUM COPPER UNPLATED	SILICONE RUBBER	COPPER NICKEL PL .0001 MIN OVER COPPER PL .00005 MIN	BRASS NICKEL PL .0001 MIN OVER COPPER PL .00005 MIN
138-4404-107	BRASS TRI-ALLOY PL .0001 MIN	BRASS GOLD PL .00005 MIN OVER NICKEL PL .00005 MIN OVER COPPER PL .00005 MIN	TEFLON	BRASS TRI-ALLOY PL .0001 MIN	BERYLLIUM COPPER UNPLATED	SILICONE RUBBER	COPPER TRI-ALLOY PL .0001 MIN	BRASS TRI-ALLOY PL .0001 MIN

DRAWING NO.
C - 138-4404-101/110

0	REVISIONS				
ENGINEERING RELEASE					
1	12-19-05	PAT	JRK	PDW	4-7-06 ECN 50124
VERSION UPDATE					
2	1-22-07	PAT	JRK	PDW	2-20-07 ECN 50921



2:1



NOTES:

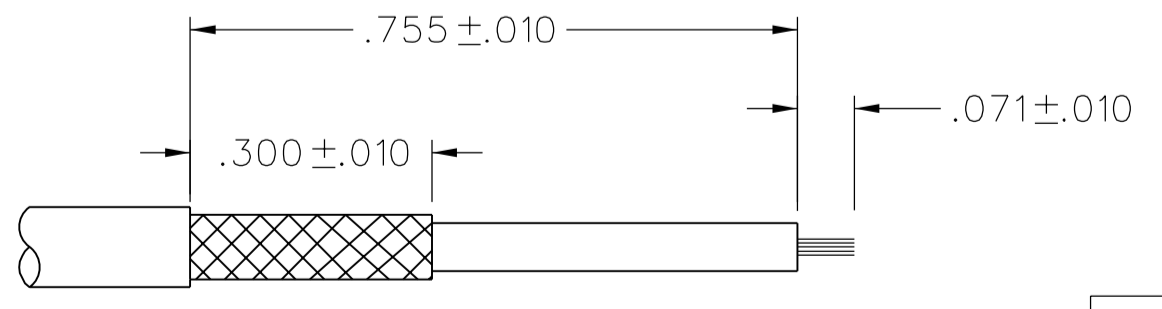
1. SPECIFICATIONS:
- IMPEDANCE: 50 OHMS
 - FREQUENCY RANGE: 0-11 GHz
 - VSWR: 1.35 MAX AT 0-9 GHz, 1.50 MAX AT 9-11 GHz
 - WORKING VOLTAGE: 250 VRMS MAX AT SEA LEVEL
 - DIELECTRIC WITHSTANDING VOLTAGE: 750 VRMS MIN AT SEA LEVEL
 - INSULATION RESISTANCE: 5000 MEGOHM MIN
 - CONTACT RESISTANCE:
 - CENTER CONTACT - INITIAL 2.5 MILLIOHM MAX, AFTER ENVIRONMENTAL 3.0 MILLIOHM MAX
 - OUTER CONDUCTOR - INITIAL 0.2 MILLIOHM MAX, AFTER ENVIRONMENTAL NOT APPLICABLE
 - BODY TO CABLE - 0.05 MILLIOHM MAX, AFTER ENVIRONMENTAL NOT APPLICABLE
 - CORONA LEVEL: 190 VOLTS MIN AT 70,000 FEET
 - INSERTION LOSS: 0.30 dB MAX, TESTED AT 9 GHz
 - RF LEAKAGE: -90 dB MIN AT 2 TO 3 GHz
 - RF HIGH POTENTIAL WITHSTANDING VOLTAGE: 500 VRMS AT 4 AND 7 MHz
 - THIRD ORDER INTERMODULATION PRODUCT (IMP3): TYPICALLY < -90 dBm (TESTED PER IEC GUIDELINES WITH 20W CW INPUTS AT 1930-1990 MHz)

MECHANICAL:

- ENGAGE/DISENGAGE TORQUE: 6 IN-LBS MAX
- MATING TORQUE: 7-10 IN-LBS
- COUPLING PROOF TORQUE: 15 IN-LBS MIN
- COUPLING NUT RETENTION: 100 LBS MIN
- CONTACT RETENTION: 6 LBS MIN AXIAL FORCE
- CABLE ACCEPTABILITY: RG 316 DOUBLE SHIELDED, RG 188 DOUBLE SHIELDED
- CABLE HEX CRIMP SIZE: .151
- CONTACT HEX CRIMP SIZE: N/A
- CABLE RETENTION: 30 LBS MIN AXIAL FORCE
- DURABILITY: 500 CYCLES MIN

ENVIRONMENTAL:

- (MEETS OR EXCEEDS THE APPLICABLE PARAGRAPH OF MIL-PRF-39012)
- THERMAL SHOCK: MIL-STD-202, METHOD 107, CONDITION B, EXCEPT 85°C HIGH TEMP
- OPERATING TEMPERATURE: -65°C TO 165°C
- CORROSION: MIL-STD-202, METHOD 101, CONDITION B
- SHOCK: MIL-STD-202, METHOD 213, CONDITION I
- VIBRATION: MIL-STD-202, METHOD 204, CONDITION B
- MOISTURE RESISTANCE: MIL-STD-202, METHOD 106



CABLE STRIP DIMENSIONS
NOT TO SCALE

CUSTOMER DRAWING

THIS DRAWING TO BE INTERPRETED PER ASME Y 14.5M - 1994

"μSTATION"

COMPANY CONFIDENTIAL

TOLERANCE UNLESS OTHERWISE SPECIFIED		DRAWN BY	DATE
DECIMALS	mm	PAT	1-10-06
.XX	_____	CHECKED BY	DATE
.XXX	REF	PDW	4-6-06
MATL	_____	APPROVED BY	DATE
		JRK	4-6-06
FINISH	_____	RELEASE DATE	4-7-06
		U/M	INCH
		SCALE	5:1

cinch Connectivity Solutions
P.O. Box 1732
Waseca, MN 56093
1-800-247-8256

TITLE
RIGHT ANGLE PLUG
TYPE N CONNECTOR
RG-316DS

SHEET 2 OF 2
DRAWING NO.
C - 138-4404-101/110