

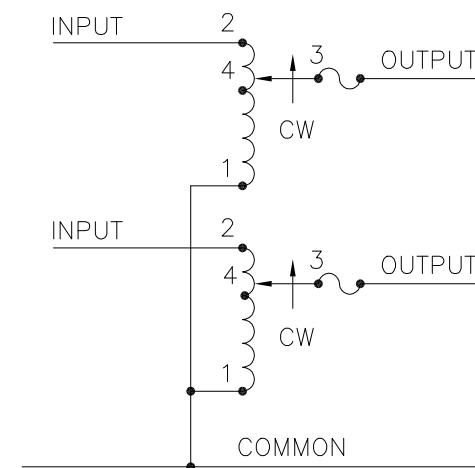
**NOTES:**

1. MAXIMUM AMBIENT TEMPERATURE 50°C
2. VENTILATION MUST BE PROVIDED WHEN USED IN AN ENCLOSURE.

++ LINE TO LINE VOLTAGE

⌘ IF GANGED UNITS ARE USED IN A SYSTEM THAT ORDINARILY HAS A COMMON NEUTRAL OR GROUND BETWEEN SOURCE AND LOAD, THE NEUTRAL OR GROUND MUST BE CONNECTED TO THE COMMON TERMINALS OF THE VARIABLE TRANSFORMER ASSEMBLY. IF THE SYSTEM HAS NO NEUTRAL, THE LOAD MUST BE BALANCED OR THE TRANSFORMERS WILL BE DAMAGED.

- JUMPER PROVIDED IN THE STANDARD COMMON POSITION AND SHOULD BE MOVED OR REMOVED AS REQUIRED.



**SCHMATIC**

FUSE RECOMMENDED BUT NOT SUPPLIED

SPECIFICATIONS											
WIRING	INPUT		OUTPUT				SHAFT ROTATION TO INCREASE VOLTAGE	TERMINAL CONNECTIONS			
	VOLTS	HERTZ	VOLTS	CONSTANT CURRENT LOAD		CONSTANT IMPEDANCE LOAD		FOR INCREASING VOLTAGE AS VIEWED FROM BASE END			
				MAX. AMPS	MAX. KVA	MAX. AMPS		MAX. KVA	INPUT	JUMPER ■	OUTPUT
SINGLE PHASE SERIES	240	50/60	0-240	1.75	0.42	2.2	0.53	CW	2-2	1-1	3-3
		60	0-264	1.75	0.46	-	-	CW	1-1	2-2	3-3
THREE PHASE OPEN DELTA ⌘	120	50/60	0-120	1.75	0.36	2.2	0.46	CW	2-1-2	1-1	3-1-3
		60	0-132	1.75	0.40	-	-	CCW	1-2-1	2-2	3-2-3
								CW	4-1-4	1-1	3-1-3

UNLESS OTHERWISE SPECIFIED, TOLERANCE IS ±  
 DECIMALS .005  
 HOLES .002  
 ANGLES 1°  
 DRAFT 1-1/2°  
 UNITS IN [mm]  
 ALL DIMENSIONS APPLY AFTER PLATING

TITLE: SPEC. CONTROL DRAWING  
 VARIABLE TRANSFORMER  
 TYPE: 171-2



DRAWN BY	DATE	FIRST USED ON	DO NOT SCALE DWG.
TIM RAU	6/5/02		
CHECKER	DATE	WEIGHT APPROX.	CAGE CODE
		4.25 LBS.	83008
ENGINEER	DATE	SCALE	SHEET 1 OF 1
		1=1	