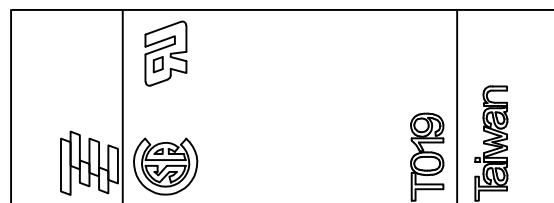


THIS DRAWING IS UNPUBLISHED. RELEASED FOR PUBLICATION
 © COPYRIGHT - BY TYCO ELECTRONICS CORPORATION. ALL RIGHTS RESERVED.

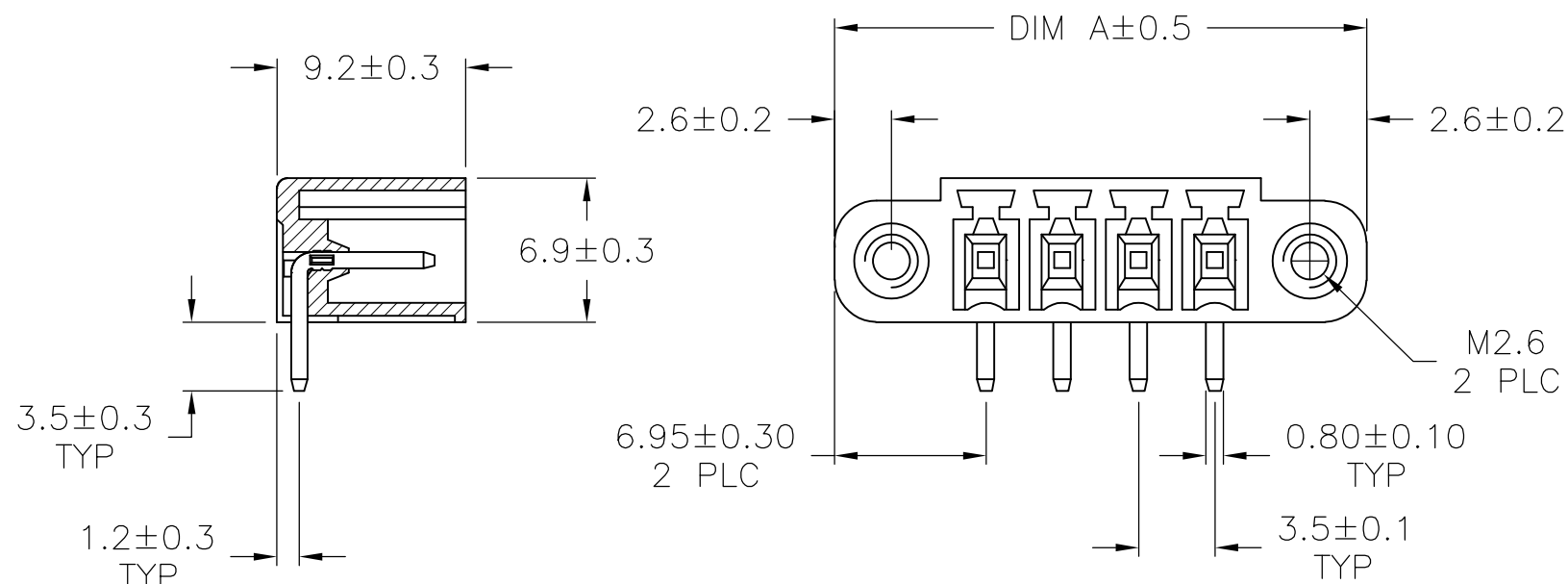
LOC	DIST	REVISIONS					
FT	0	P	LTR	DESCRIPTION	DATE	DWN	APVD
			A1	REVISED PER ECO-08-008050	02APR08	HMR	CR



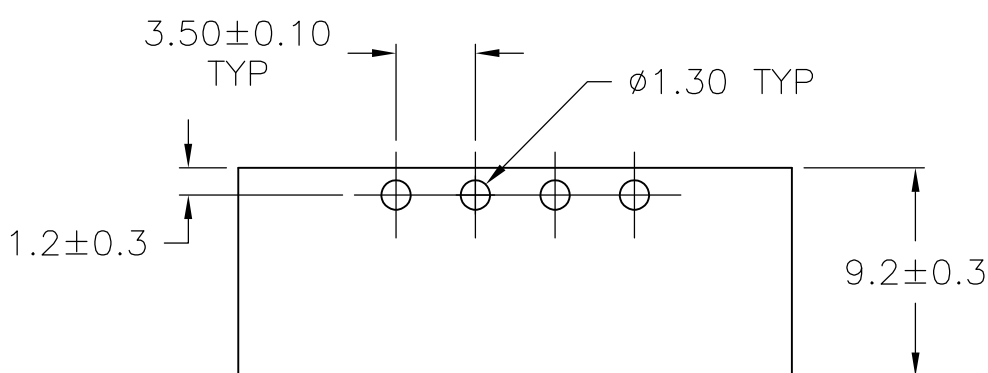
MATERIAL:
 HOUSING: POLYAMIDE 66, UL94V-0, GREEN.
 CONTACT: BRASS, TIN PLATED.

ELECTRICAL:
 CURRENT RATING: 12A, 150V.
 INSULATION RESISTANCE: 2000Mohm, 500V

OPERATION TEMP.: -40°C TO +105°C.



52.40	12	1-1776654-2
48.90	11	1-1776654-1
45.40	10	1-1776654-0
41.90	9	1776654-9
38.40	8	1776654-8
34.90	7	1776654-7
31.40	6	1776654-6
27.90	5	1776654-5
24.40	4	1776654-4
20.90	3	1776654-3
17.40	2	1776654-2
DIM A	POSN	PART NUMBER



RECOMMENDED PCB LAYOUT

DO NOT USE GEOMETRY
 GEOMETRY HAS NO SCALE

THIS DRAWING IS A CONTROLLED DOCUMENT.		DWN S SCHLEGEL 9/23/05	Tyco Electronics Corporation Harrisburg, PA 17105-3608	
DIMENSIONS: mm		CHK C RICHARD 9/23/05	NAME R/A HEADER, 3.5mm, FLANGED TERMINAL BLOCK	
TOLERANCES UNLESS OTHERWISE SPECIFIED:		APVD C RICHARD 9/23/05	PRODUCT SPEC	
0 PLC ± -		APPLICATION SPEC		
1 PLC ± 0.3		SIZE		
2 PLC ± 0.25		CAGE CODE		
3 PLC ± -		DRAWING NO		
4 PLC ± -		RESTRICTED TO		
ANGLES ± -		A3 00779 C-1776654		
FINISH		WEIGHT		
-		-		
MATERIAL		CUSTOMER DRAWING		
-		SCALE NTS		
		SHEET 1 OF 1		
		REV A1		