

PART NAME: BALL KNOB    SCALE: 1:1    DATE: 8/29/97    DRN. BY: HD

THIS DRAWING IS THE PROPERTY OF DAVIES MOLDING COMPANY, IS SUBMITTED SOLELY AS A DESIGN OR ENGINEERING PROJECT. WE ACCEPT NO RESPONSIBILITY WHATSOEVER FOR THE PRACTICAL APPLICATION OF THE PIECES MADE TO THIS DESIGN.

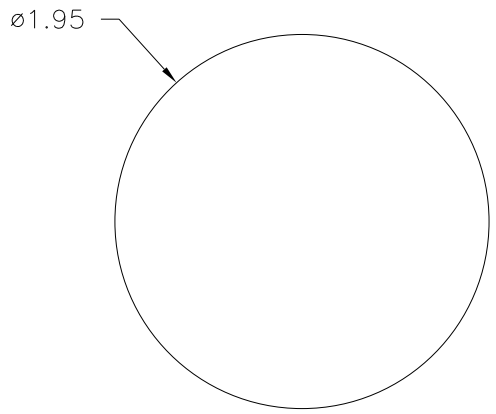


DESIGNERS & MANUFACTURERS OF KNOBS, HANDLES, CASES & CUSTOM PLASTIC COMPONENTS

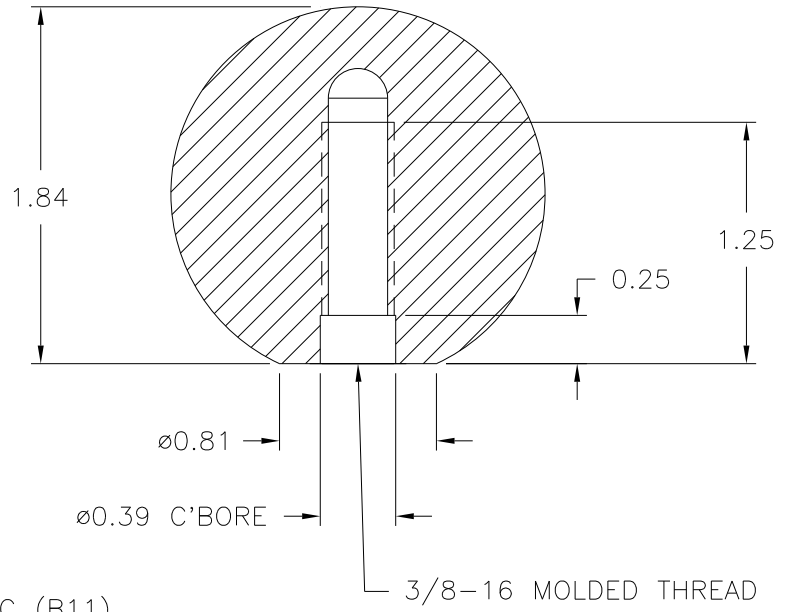
P/N 0055BS

BASE PART 0055-11

(A)



NOTE: BUFFED AND POLISHED



MATERIAL: G.P. PHENOLIC (B11)  
COLOR: BLACK

TOLERANCES: UNLESS OTHERWISE SPECIFIED	DO NOT SCALE DRAWING			
DECIMALS: X.XXX ± .005 X.XX  ± .015	MM: X.XX ± 0.15MM X.X  ± 0.4MM	A	ADDED BASE PART	JAM 2/25/14
FRACTIONS ± 1/64	ANG. ± 1°	-	REDRAWN	TL 9/29/99
CHANGES				

