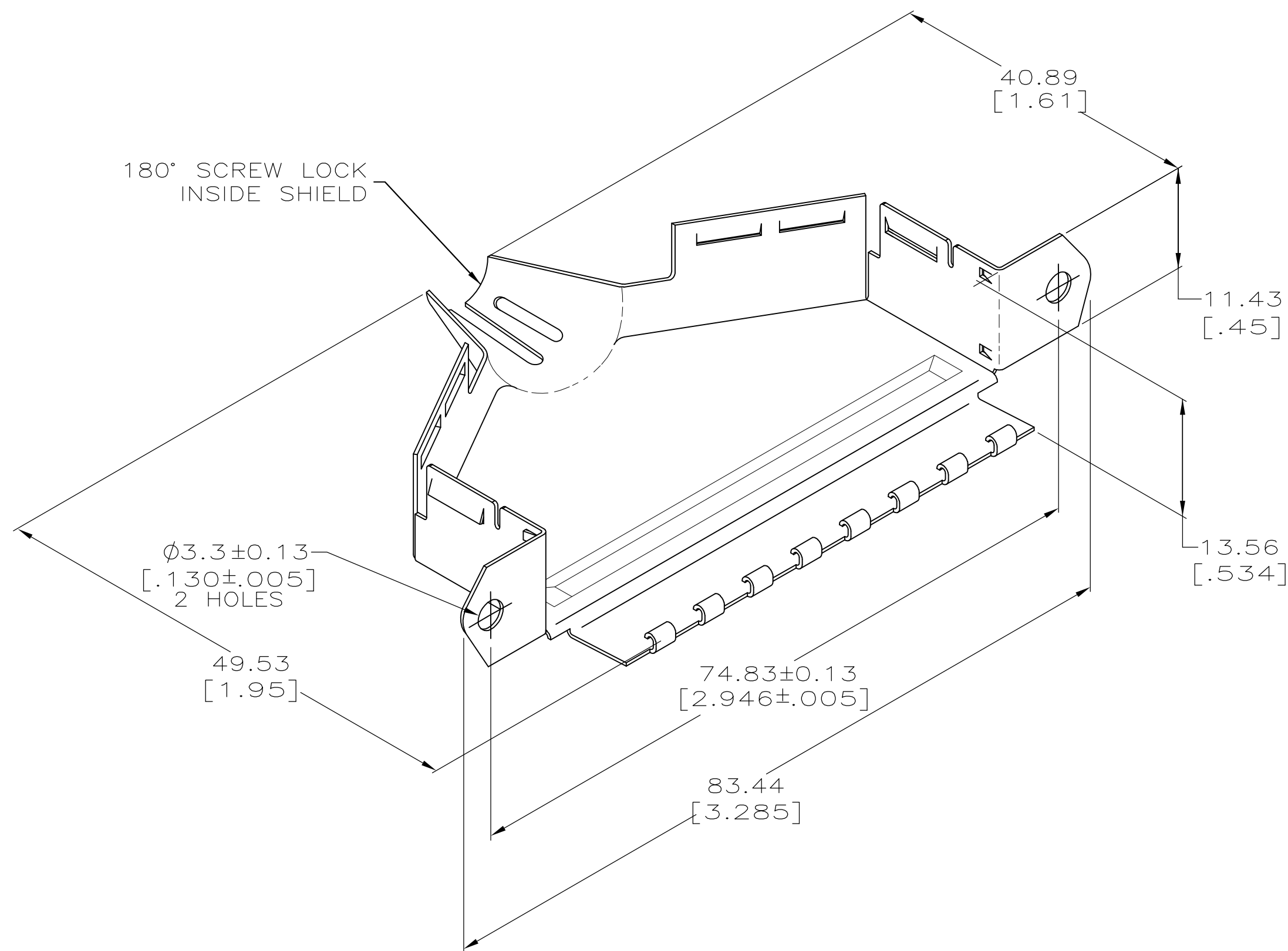


THIS DRAWING IS UNPUBLISHED. RELEASED FOR PUBLICATION
 © COPYRIGHT BY TYCO ELECTRONICS CORPORATION. ALL INTERNATIONAL RIGHTS RESERVED.

LOC	DIST	REVISIONS					
		P	LTR	DESCRIPTION	DATE	DWN	APVD
AA	20	B		REVISED PER ECO-09-000015	9JAN2009	ZMR	WLM

- 1. MATERIAL: CARBON STEEL, 0.4[.016] THICK, BRIGHT NICKEL PLATED.
- 2. DIMENSIONS ARE MAXIMUM UNLESS OTHERWISE SPECIFIED.
- 3. CABLE RANGE: $\phi 8.89-15.88$ [.350-.625].



LAYER PACKED	554328-5
BULK PACKED	554328-1
PACKAGING	PART NUMBER

THIS DRAWING IS A CONTROLLED DOCUMENT.		DWN S. POZEBANCHUK 08NOV83	Tyco Electronics Corporation Harrisburg, PA 17105-3608	
DIMENSIONS: mm [INCHES]		CHK M. FRIEL 30NOV83	NAME INSIDE SHIELD, 180 DEGREE, EMI, PLUG, 50 POSITION, SCREW LOCK	
TOLERANCES UNLESS OTHERWISE SPECIFIED:		APVD G. FOSTER 03JAN84	RESTRICTED TO	
0 PLC ± -		PRODUCT SPEC	SIZE CAGE CODE DRAWING NO	
1 PLC ± -		APPLICATION SPEC	A2 00779 C=554328	
2 PLC ± -		WEIGHT	SCALE 2:1 SHEET 1 of 1 REV B	
3 PLC ± -				
4 PLC ± -				
ANGLES ± -				
FINISH				
MATERIAL 1				
FINISH 1				
CUSTOMER DRAWING				