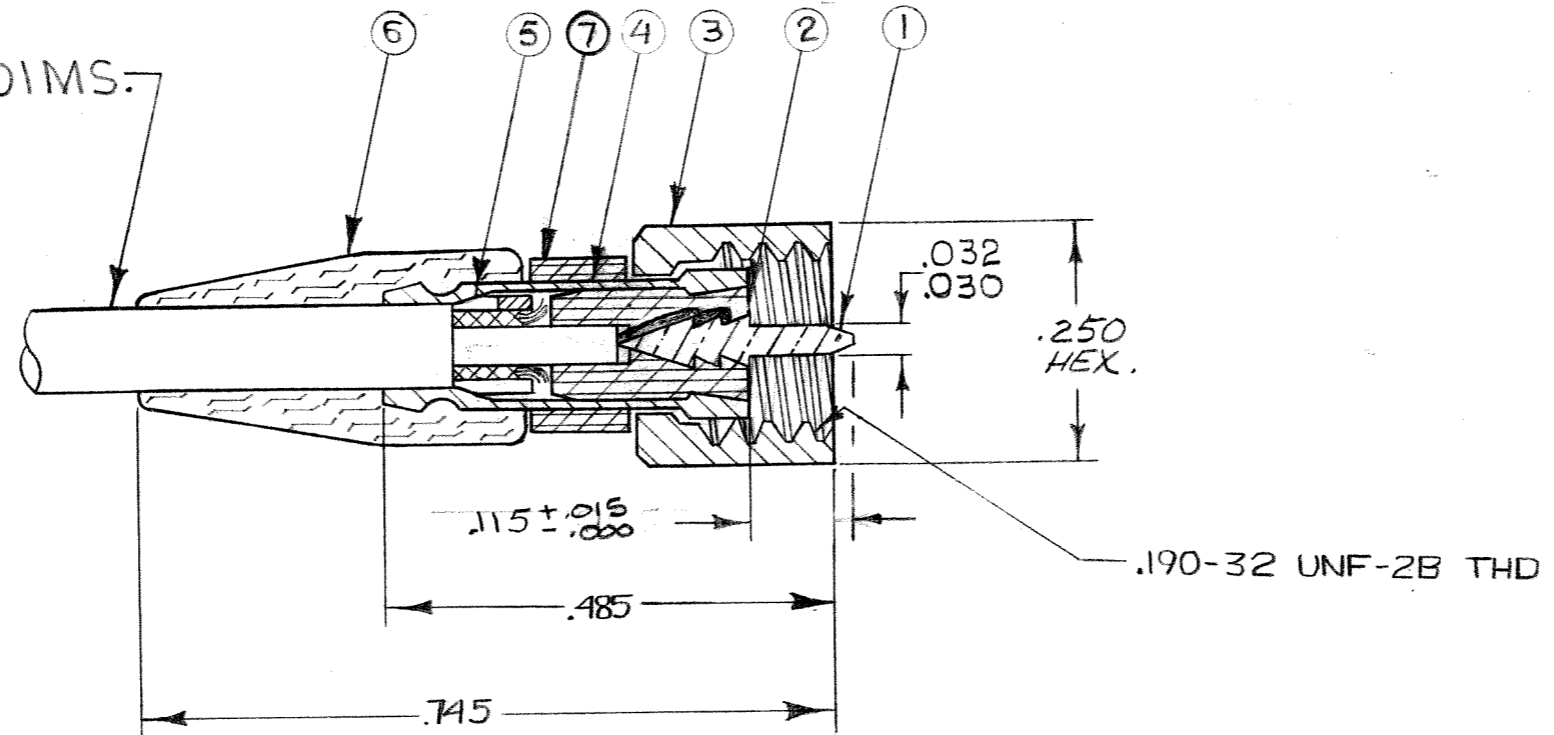


These drawings and specifications are the property of Microdot Inc., are issued in strict confidence and shall not be divulged, be reproduced or copied, or used as the basis for the manufacture or sale of any article without written permission of Microdot Inc.

CABLE ACCEPTANCE DIMS.
 JACKET DIA.088 MAX.
 SHIELD061 DIA MAX.
 DIELECTRIC DIA. .050 MAX.
 CENTER CONDUCT. DIA. .013 MAX.



Tyco Dwg 9-1532140-4
 Micro P/N 032-0097-0001

| QTY. | PART NO. | NOMENCLATURE | MATERIALS & SPEC. | FIN. | ITEM |
|------|---------------|---------------|-----------------------------|------|------|
| 1 | 003-0597-0001 | PIN PROTECTOR | TEFLON PER ASTM D1710 | | ⑦ |
| 1 | 003-0270-0000 | B.R.CAP | SILICONE RUBBER ZZ-R-765 | | ⑥ |
| 1 | 003-0163-0001 | RING | BRASS PER QQ-B-626 | △ | ⑤ |
| 1 | 003-0160-0001 | FERRULE | BRASS PER QQ-B-626 | △ | ④ |
| 1 | 003-0454-0001 | NUT | BRASS PER QQ-B-626 | △ | ③ |
| 1 | 003-0027-0001 | BUSHING | TEFLON PER ASTM D1710 | | ② |
| 1 | 003-0359-0002 | PIN | COPPER ALLOY | △ | ① |

△ GOLD PLATE PER MIL-G-45204, TYPE II, CLASS I.
 △ SILVER PLATE .0002-.0004 PER QQ-S-365, TYPE II GRADE A.
 3. MALCO ASSY. TOOL 010-0003-0000 REQ'D.
 2. FOR ASSY. INSTRUCTIONS SEE RF-ASMB-88
 1. THIS CONNECTOR MATES WITH ALL S-50 JACKS AND RECEPTACLES AS LISTED IN MALCO CATALOG.
 NOTES: UNLESS OTHERWISE SPECIFIED

| ASSEMBLY | NO REQ'D | LET | ECO | REVISION DESCRIPTION | BY | DATE | APP |
|----------|----------|-----|-----|---|------|---------|-----|
| | | | | HI 41398 UPDATED FORMAT | ACW | 5/13/62 | AW |
| | | | | H 30837 ITEM 6, WAS 003-0031-0000 | B | 3/2/61 | AW |
| | | | | G 31639 UPDATE DIM'S. ADD ITEM 7 | M | 7/13/61 | NO |
| | | | | F 19098 ERROR (REV. D) HEX NUT DIM. WAS 230 (DIA) | M | 8/2/61 | AW |
| | | | | E 16114 REV. LETTER UP-DATED | M | 3/27/61 | AW |
| | | | | D. 8668 REVISED & RE-DRAWN | R.P. | 7/24/61 | AW |

STANDARD TOLERANCES UNLESS OTHERWISE SPECIFIED
 DEC. ± .010
 FRAC. ± 1/32
 ANGLES ±
 ECCENTRICITY
 MAX. T.I.R. _____
 HOLE DIA. ± _____
 SURFACE ROUGHNESS
 MICRO INCHES
 THREADS TO MIL-S-7742
 COMMERCIAL TOLERANCES APPLY TO STOCK DIMENSIONS

MALCO
 A MICRODOT COMPANY, INC.
 220 PASADENA AVE., SO. PASADENA, CALIF. 91030

SURFACE TREATMENT
 NOTED

MATERIAL
 NOTED

APP W.J.
 APP
 CHECKED BY
 DRAWN BY M.J.M.
 SCALE WT DATE
 931 1-5-61
 CODE DRAWING NUMBER
 CDM 032-0097-0001 H

PLUG