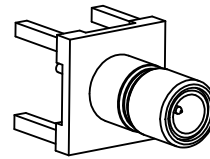
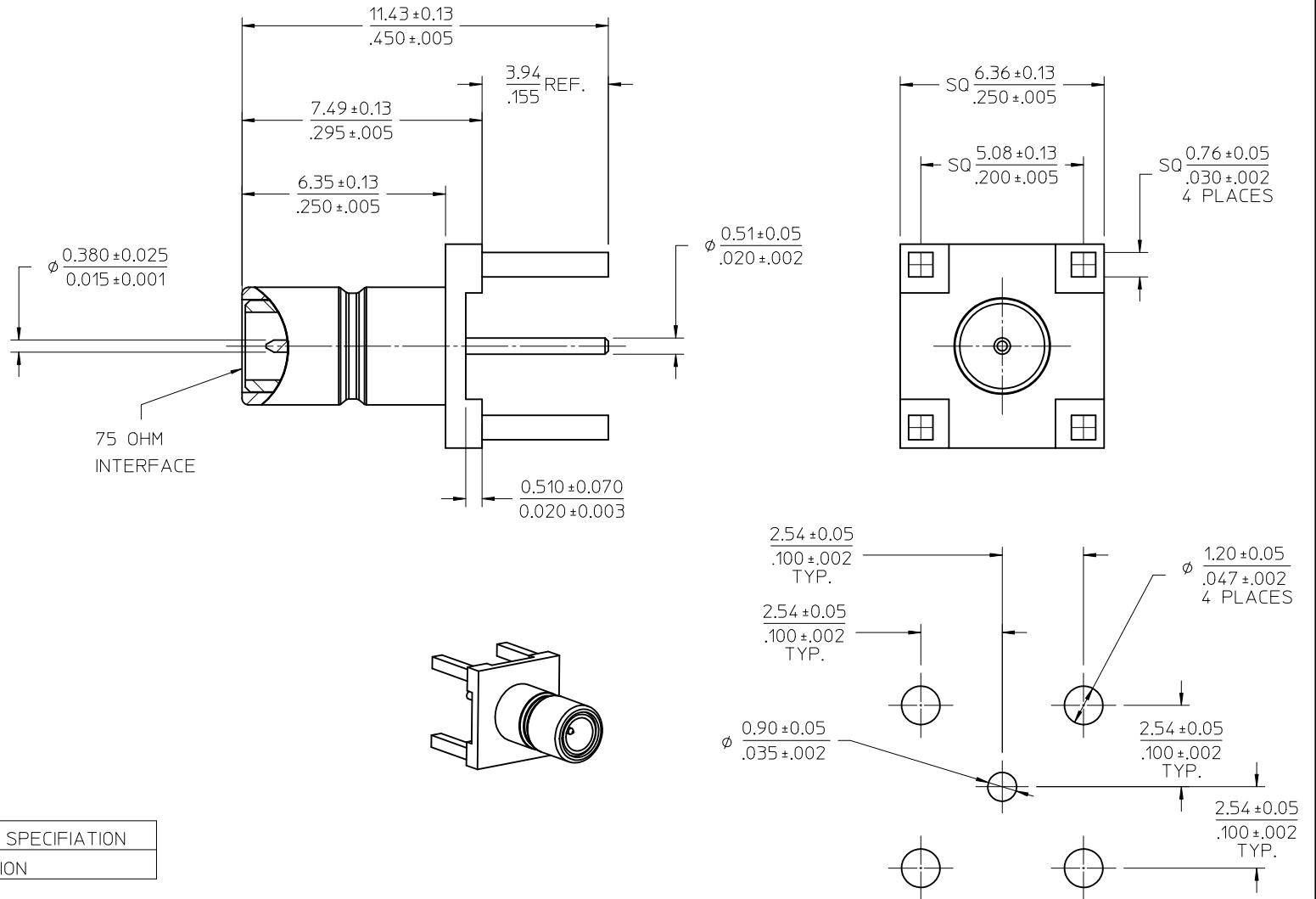


MATERIAL AND FINISHES

BODY, CENTER CONTACT: BRASS
PLATED GOLD

INSULATOR: TEFLON

PACKAGING (SEE TABLE)



RECOMMENDED PCB MOUNTING HOLD

PS-89675-3540	PRODUCT SPECIFICATION
SPECIFICATION	DESCRIPTION

73404-3010	1 PIECE 73100-0258 IN SINGLE BAG WITH LABEL
73100-0258	STANDARD
PART NO.	PACKAGING

CHG: ADDED P/N
73404-3010 FOR
SINGLE BAG
OPTION.

EC NO: URF2011-0573
DRAWN: ROBERTSON 2011/03/31
CHKD: SSS 2011/03/31
APPR: JWIENER 2011/04/04

REV	DESCRIPTION
A2	

QUALITY SYMBOLS	GENERAL TOLERANCES (UNLESS SPECIFIED)
▽=0	mm INCH
▽=0	4 PLACES ± --- ± ---
	3 PLACES ± --- ± ---
	2 PLACES ± --- ± ---
	1 PLACE ± --- ± ---
	ANGULAR ± 2 °
	DRAFT WHERE APPLICABLE MUST REMAIN WITHIN DIMENSIONS

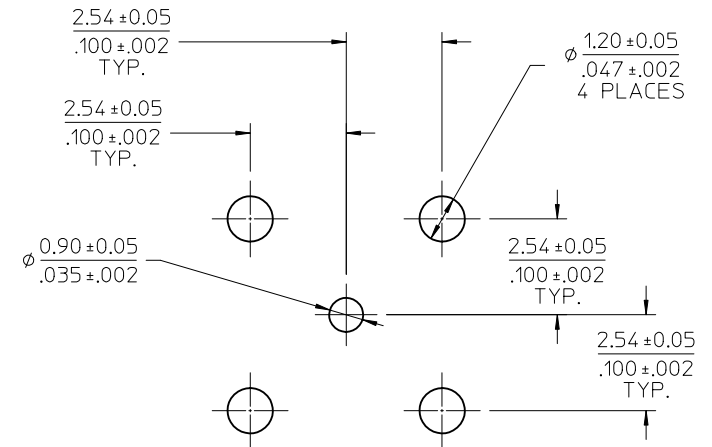
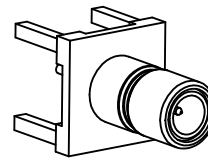
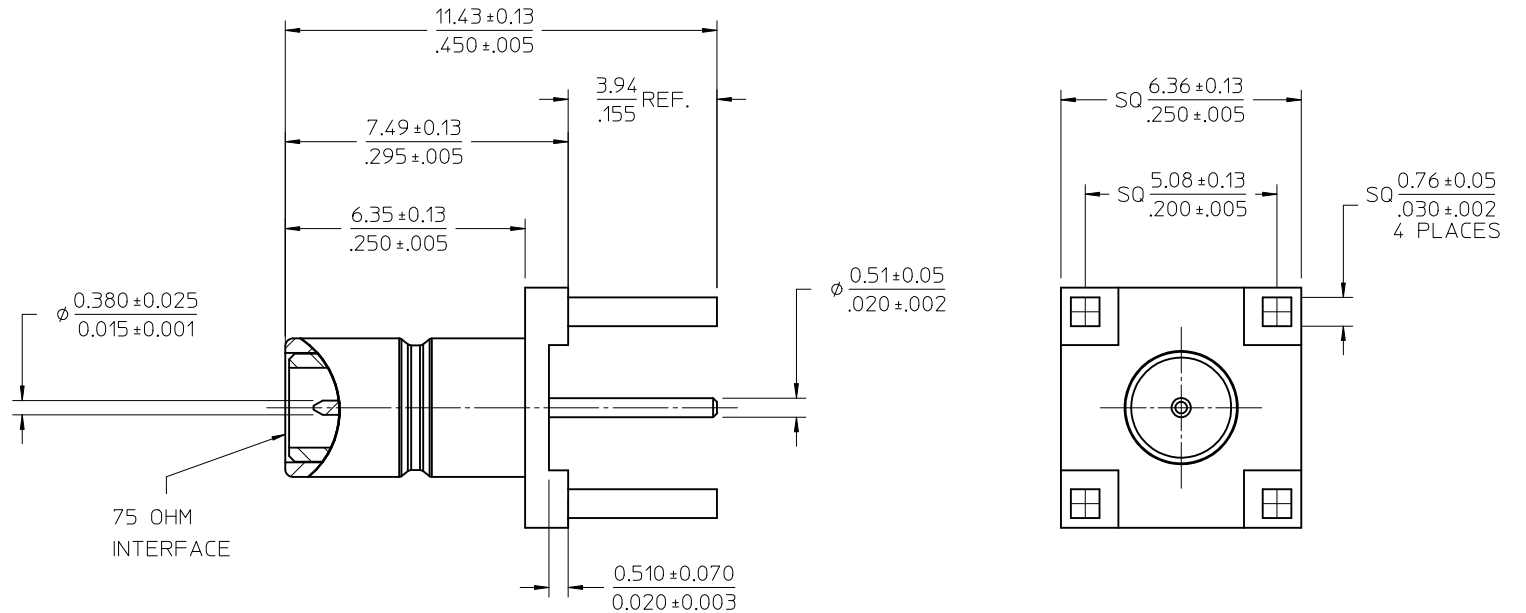
DIMENSION STYLE		SCALE	DESIGN UNITS	THIRD ANGLE PROJECTION
MM/IN			METRIC	
DRAWN BY	DATE	TITLE		
SAM	1995/10/23	SPECIAL 75 OHM SMB JACK VERTICAL PCB TH SMB-J/PCB		
CHECKED BY	DATE	MOLEX MOLEX INCORPORATED		
KERRIE	1995/10/23	MATERIAL NO. SEE TABLE		
APPROVED BY	DATE	DOCUMENT NO. SD-73100-0258		
MISEN	1995/10/23	SHEET NO. 1 OF 1		
THIS DRAWING CONTAINS INFORMATION THAT IS PROPRIETARY TO MOLEX INCORPORATED AND SHOULD NOT BE USED WITHOUT WRITTEN PERMISSION				

MATERIAL AND FINISHES

BODY, CENTER CONTACT: BRASS
PLATED GOLD

INSULATOR: TEFLON

PACKAGING (SEE TABLE)



PS-89675-3540	PRODUCT SPECIFICATION
SPECIFICATION	DESCRIPTION

73404-3010	1 PIECE 73100-0258 IN SINGLE BAG WITH LABEL
73100-0258	STANDARD
PART NO.	PACKAGING

RECOMMENDED PCB MOUNTING HOLD

CHG: RELEASE DRAWING. EC NO: URF2011-0573 DRAWN: AROBERTSON 2011/03/31 CHKD: SSS 2011/03/31 APPR: JWIENER 2011/04/04 REV: A	QUALITY SYMBOLS	GENERAL TOLERANCES (UNLESS SPECIFIED)	DIMENSION STYLE	SCALE	DESIGN UNITS	THIRD ANGLE PROJECTION	
	▽=0 ▽=0	mm INCH 4 PLACES ± --- ± --- 3 PLACES ± --- ± --- 2 PLACES ± --- ± --- 1 PLACE ± --- ± --- ANGULAR ± 2 °	MM/IN	DRAWN BY: AROBERTSON DATE: 2011/03/31 CHECKED BY: SSS DATE: 2011/03/31 APPROVED BY: JWIENER DATE: 2011/04/04	METRIC		TITLE: SPECIAL 75 OHM SMB JACK VERTICAL PCB TH SMB-J/PCB, EWR-4676
		DRAFT WHERE APPLICABLE MUST REMAIN WITHIN DIMENSIONS	SEE TABLE	MATERIAL NO.			MOLEX INCORPORATED DOCUMENT NO. SD-73404-301
				SIZE			SHEET NO. 1 OF 1 THIS DRAWING CONTAINS INFORMATION THAT IS PROPRIETARY TO MOLEX INCORPORATED AND SHOULD NOT BE USED WITHOUT WRITTEN PERMISSION