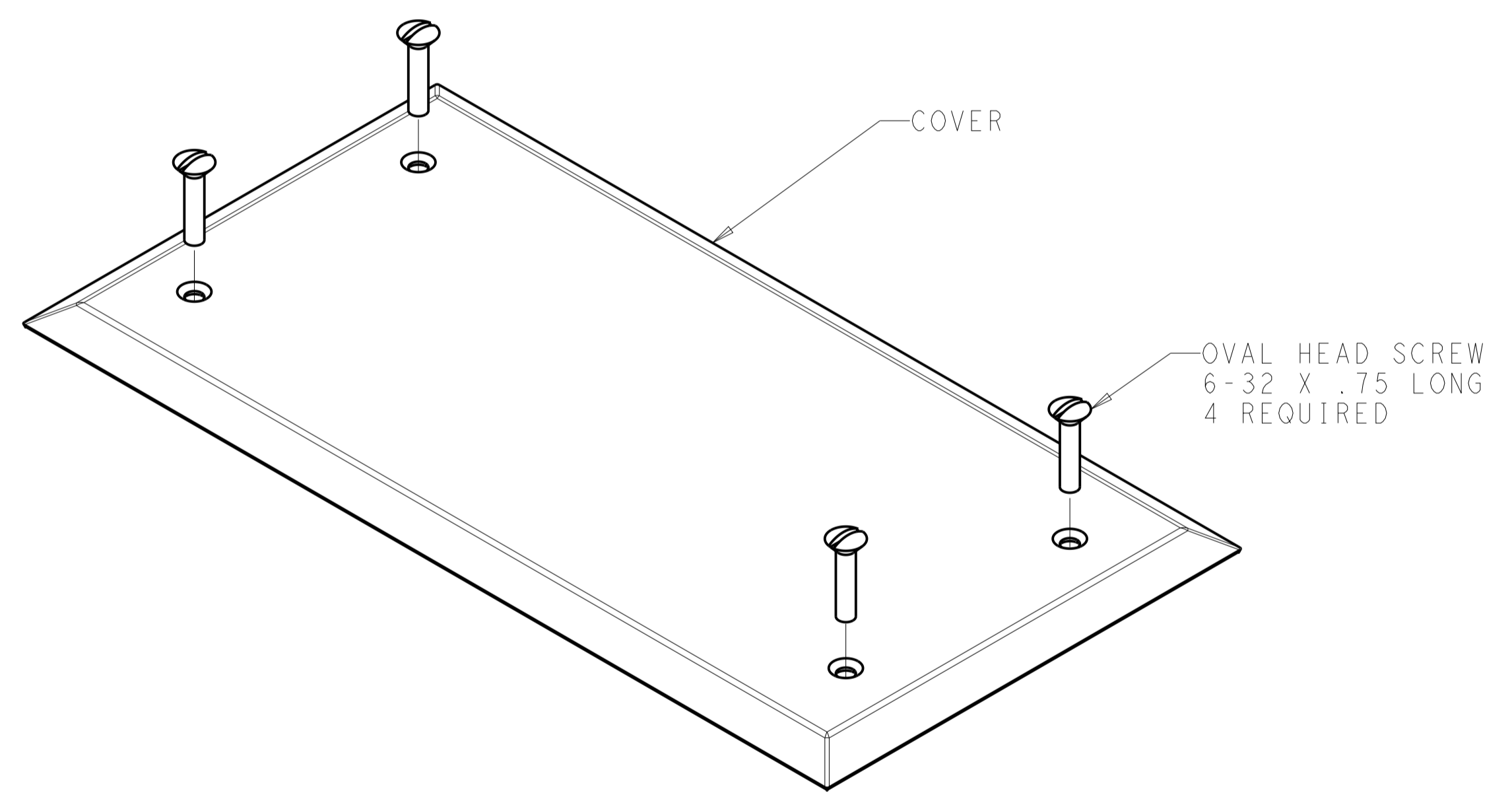
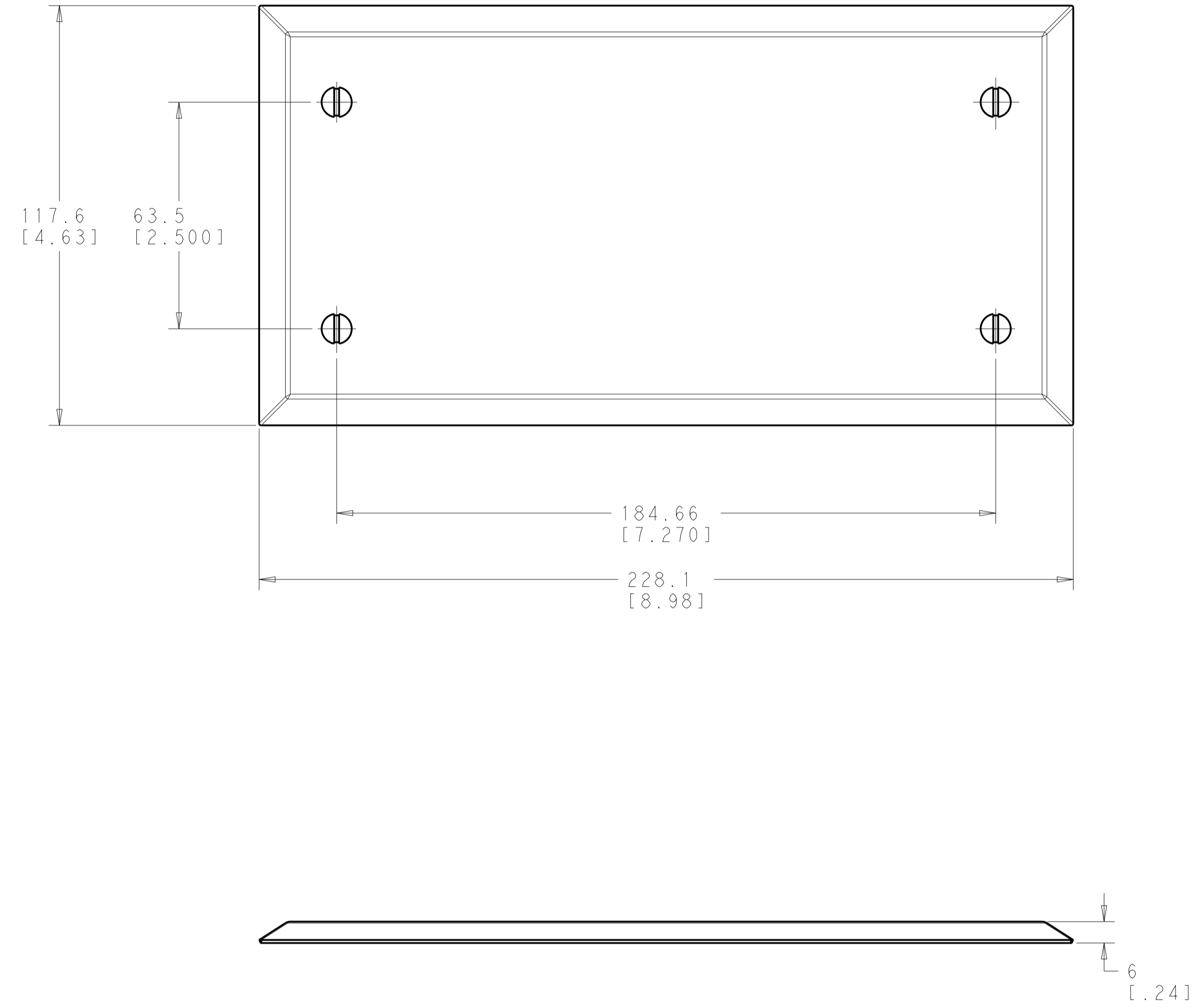


REVISIONS					
REV	LTN	DESCRIPTION	DATE	DWN	APVD
C		REDWN. REV; ECO-10-005643	18MAR2010	GG	SJ
D		REV ECO-10-010284	18MAY2010	LH	SJ
E		REV PER ECN 8000018168	18JAN2017	GG	SA

1. ALL DIMENSIONS SHOWN ARE FOR REFERENCE ONLY UNLESS OTHERWISE SPECIFIED.
2. MATERIAL: COVER - POWDER-COATED ALUMINUM. SEE TABLE FOR COLOR. HARDWARE - ZINC PLATED CARBON STEEL.
3. THIS KIT SHIPPED UNASSEMBLED.
4. APPLICATION: USE WITH UNDERCARPET CABLING SYSTEM FLUSH MOUNT WALL BOX PN 554805-1.



4	GRAY	1-553292-3
	BLACK	1-553292-1
	COLOR	PART NUMBER

THIS DRAWING IS A CONTROLLED DOCUMENT.		DWN: GG 18MAR2010	COMMSCOPE, INC. COVER, WALL BOX, FLUSH MT, UC
DIMENSIONS: mm [INCHES]		CHK: S. JONES 18MAR2010	
TOLERANCES UNLESS OTHERWISE SPECIFIED:		APVD: S. JONES 18MAR2010	
0 PLC ± 1 PLC ± 2 PLC ± 3 PLC ± 4 PLC ± ANGLES ±		PRODUCT SPEC APPLICATION SPEC 408-10412 WEIGHT CUSTOMER DRAWING	
MATERIAL: 2	FINISH: 2	SIZE: A1	RESTRICTED TO: E
		SCALE: 2:1	SHEET 1 OF 1 REV E