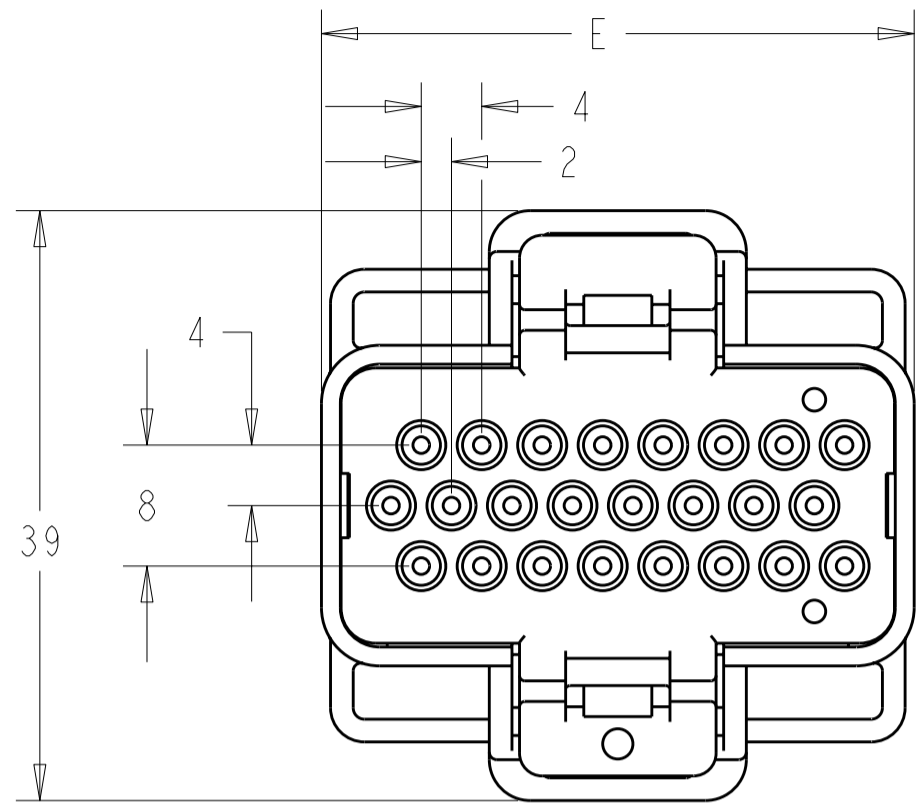
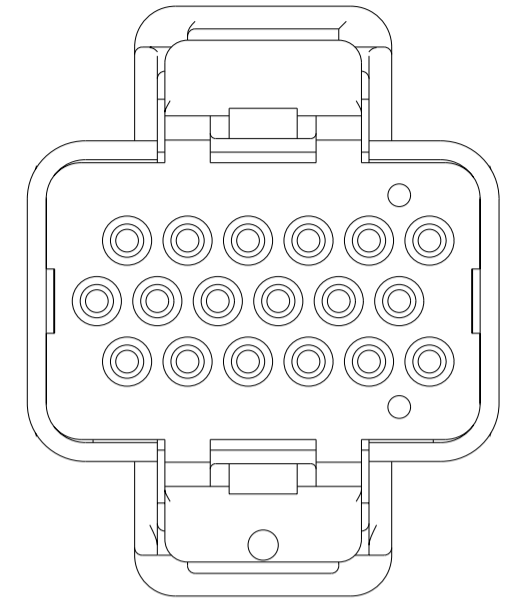


THIS DRAWING IS UNPUBLISHED. RELEASED FOR PUBLICATION 20
 © COPYRIGHT 20 ALL RIGHTS RESERVED.

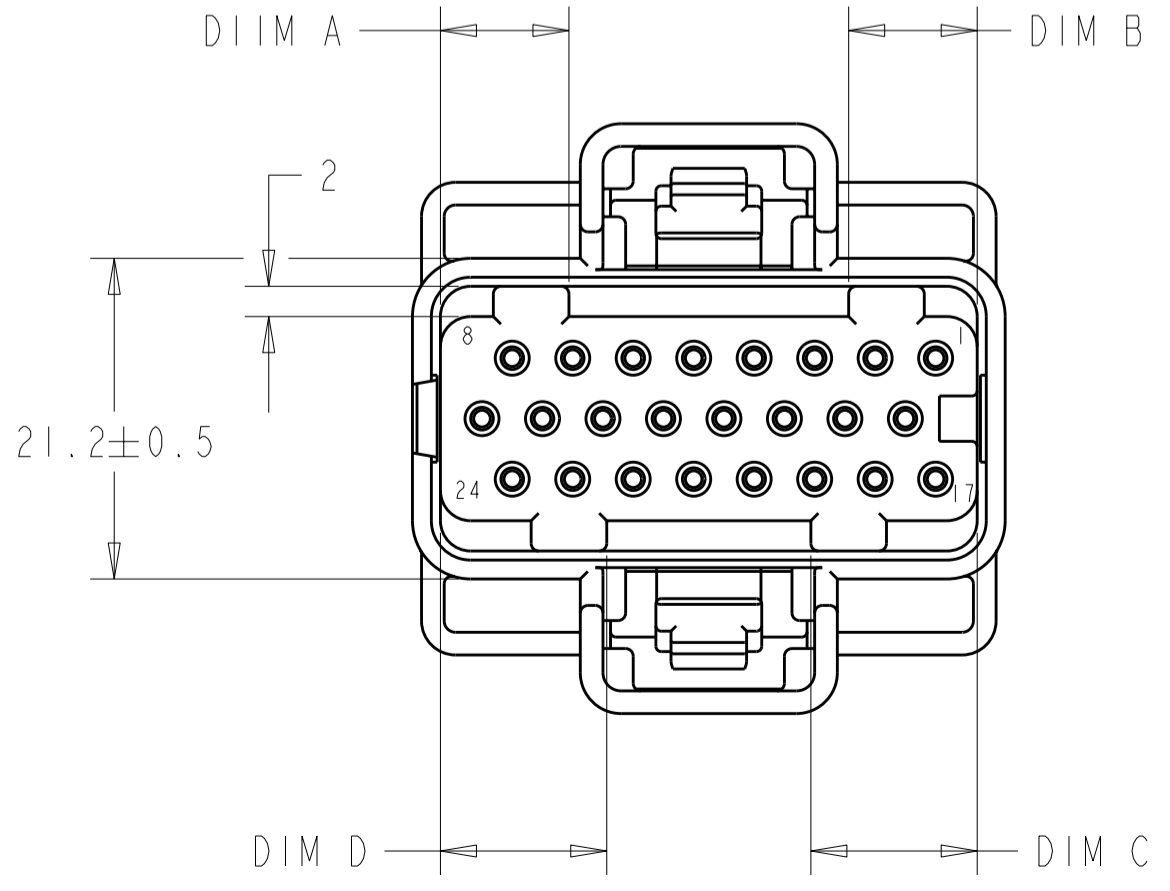
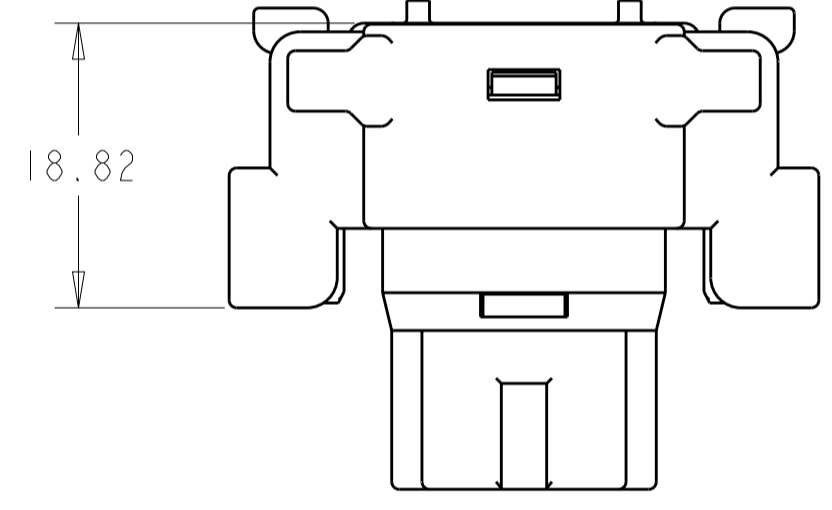
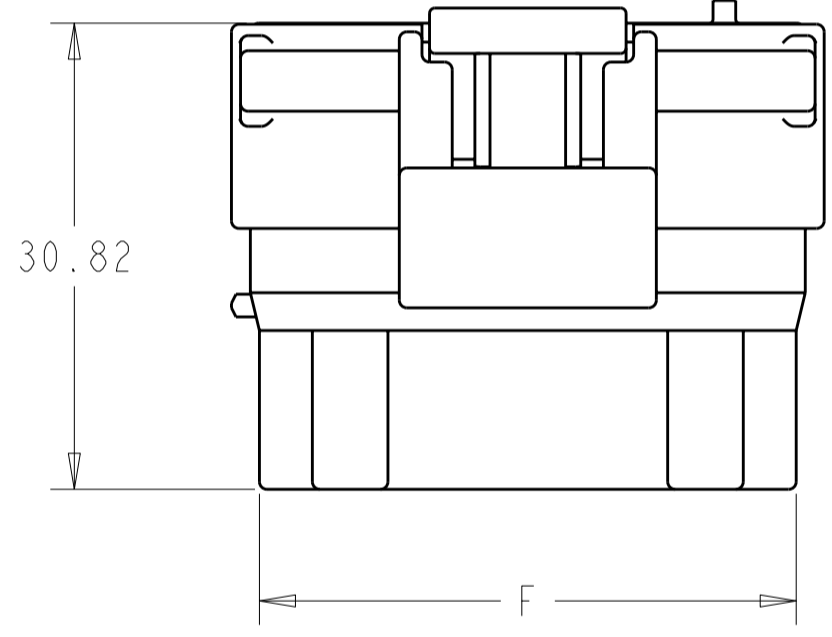
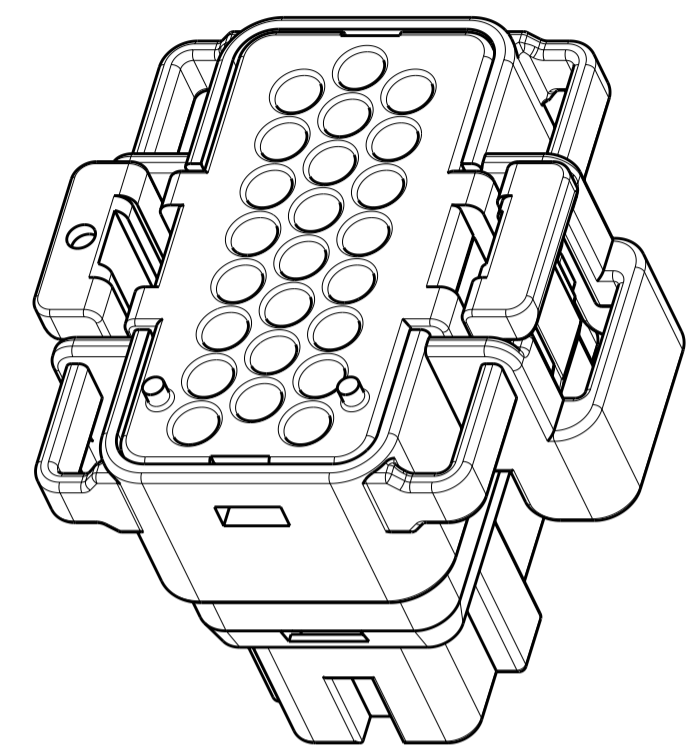
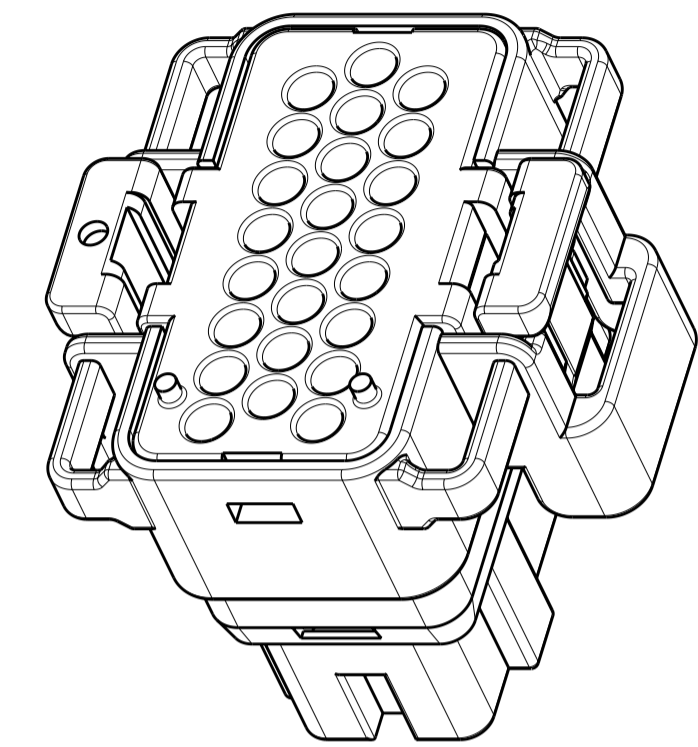
LOC		DIST		REVISIONS			
P	LTR	DESCRIPTION	DATE	DWN	APVD		
HK	00	BI	REVISED PER ECO-11-005030	30APR2011	RK	HMR	



STYLE A
(WITH STIRRUPS)



STYLE B
(WITHOUT STIRRUPS)



TE PART NO.	T&B PART NO.	NO. OF POSITIONS	DIM A	DIM B	DIM C	DIM D	DIM E	DIM F	STIRRUP STYLE	COLOR
4-1437287-7	130025603205	32	12.00	12.00	12.00	9.00	49.2	45.5	A	BLACK
4-1437287-5	130025602401	24	7.50	12.00	9.00	9.00	39.2	35.5	A	BLACK
4-1437287-6	130025602402	24	7.50	11.00	11.00	9.00	39.2	35.5	A	BLACK
1456016-1	130025602403	24	7.50	11.00	11.00	12.00	39.2	35.5	A	GREY
1456016-2	130025602404	24	9.00	11.00	11.00	9.00	39.2	35.5	A	GREY
1456016-3	130025602405	24	12.00	12.00	12.00	9.00	39.2	35.5	A	NATURAL
1456016-4	130025602406	24	11.00	12.00	9.00	9.00	39.2	35.5	A	NATURAL
N/A	1300256018XX	18	N/A	N/A	N/A	N/A	31.2	27.5	B	BLACK
N/A	1300256020XX	20	N/A	N/A	N/A	N/A	33.2	29.5	B	BLACK
N/A	1300256014XX	14	N/A	N/A	N/A	N/A	25.2	21.5	B	BLACK

THIS DRAWING IS A CONTROLLED DOCUMENT.

DWN: R. HARDISON 02OCT2000
 CHK: R. HARDISON 02OCT2000
 APVD: R. HARDISON 02OCT2000

STE TE Connectivity

NAME: SOCKET ASSEMBLY, SEALED IMM I/O CONNECTOR SYSTEM

SIZE: A2 CAGE CODE: 00779 DRAWING NO: 1456016 RESTRICTED TO: -

MATERIAL: - DIMENSIONS: mm TOLERANCES UNLESS OTHERWISE SPECIFIED: 0 PLC ±1, 1 PLC ±0.3, 2 PLC ±0.15, 3 PLC ±0.070, 4 PLC ±0.0500, ANGLES ±2, FINISH: -

PRODUCT SPEC: - APPLICATION SPEC: - WEIGHT: - 1 SCALE: 2:1 SHEET 1 OF 1 REV: BI

CUSTOMER DRAWING