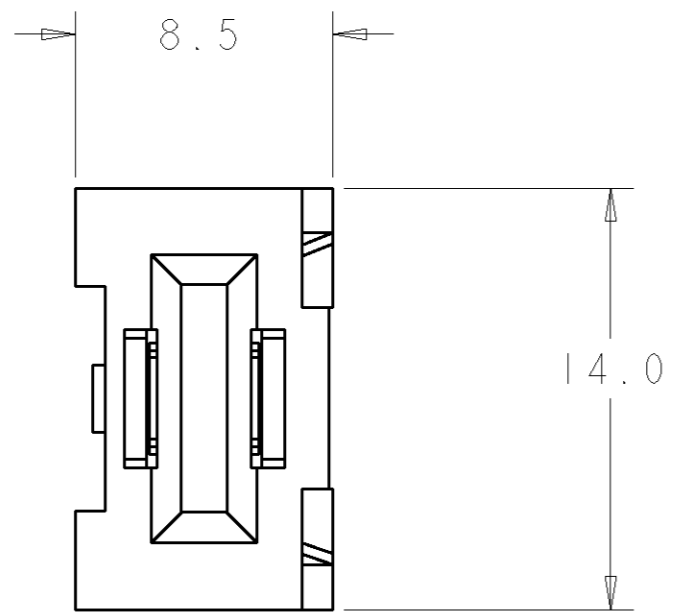


THIS DRAWING IS UNPUBLISHED. RELEASED FOR PUBLICATION 20
 © COPYRIGHT 20 BY TYCO ELECTRONICS CORPORATION. ALL RIGHTS RESERVED.

LOC	DIST	REVISIONS					
GP	00	P	LTR	DESCRIPTION	DATE	DWN	APVD
			A	RELEASED	24JULY07	RG	PD

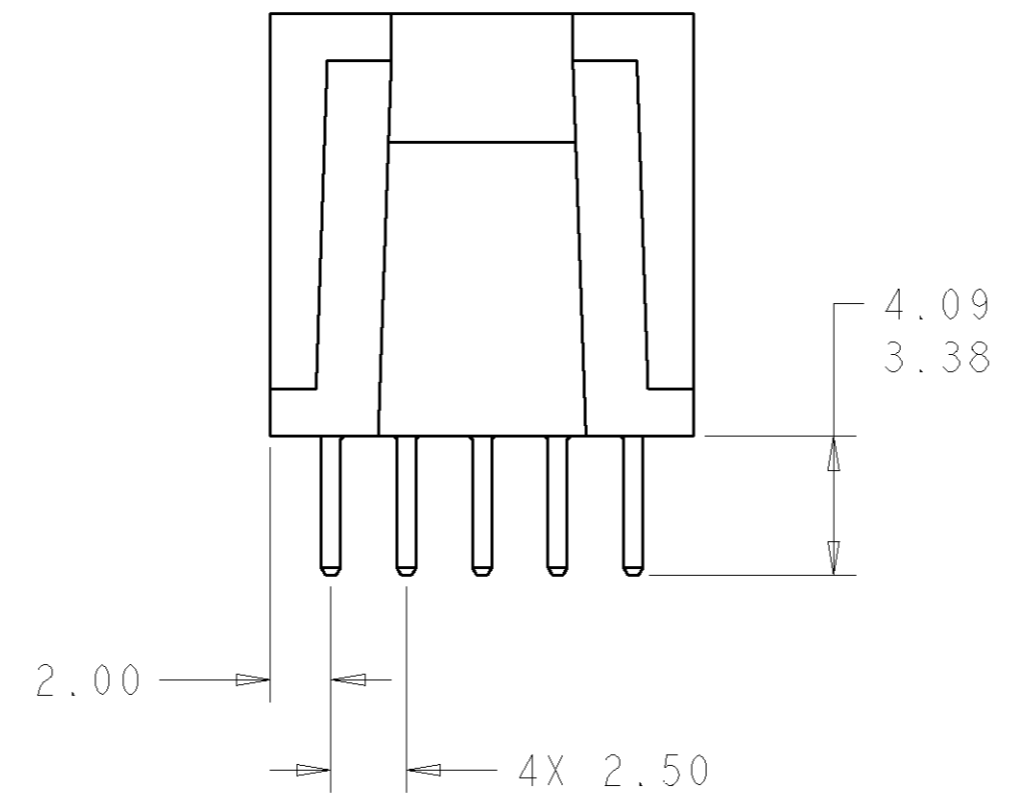
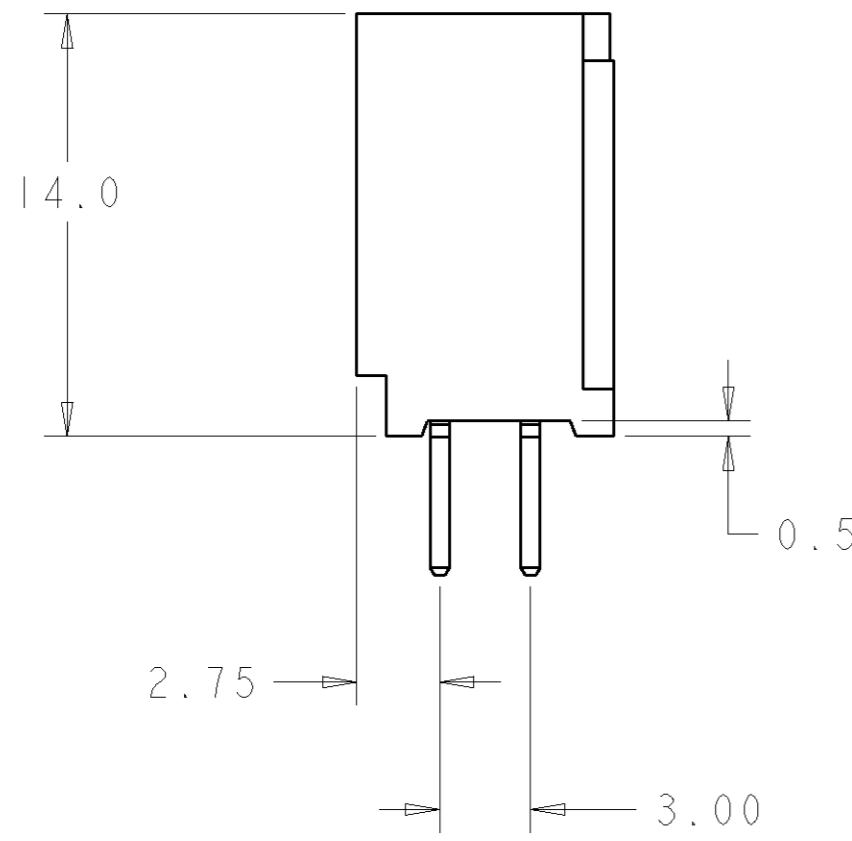


1. PART NUMBER CHANGES AND OR DESIGN CHANGES AFFECTING ITEM INTERCHANGEABILITY REQUIRE PRIOR TYCO ELECTRONICS APPROVAL AND AUTHORIZATION BY REVISION TO THIS DRAWING.

2. MATERIAL:
 INSULATORS - THERMOPLASTIC, GLASS REINFORCED, COLOR: BLACK UL94V-0 FLAMMABILITY RATED.
 POWER CONTACTS - COPPER ALLOY.

3. FINISH:
 CONTACTS - GOLD PLATE 0.76µm MIN. THK., OVER NICKEL 1.27µm MIN. THK
 SOLDER TAILS, TIN 3.05µm MIN. THK. OVER NICKEL 1.27µm MIN. THK

4. ITEMS PROVIDED TO THIS SPECIFICATION TO BE PERMANENTLY IDENTIFIED ON THE CONTAINER PER THE FOLLOWING IDENTIFIER LABEL



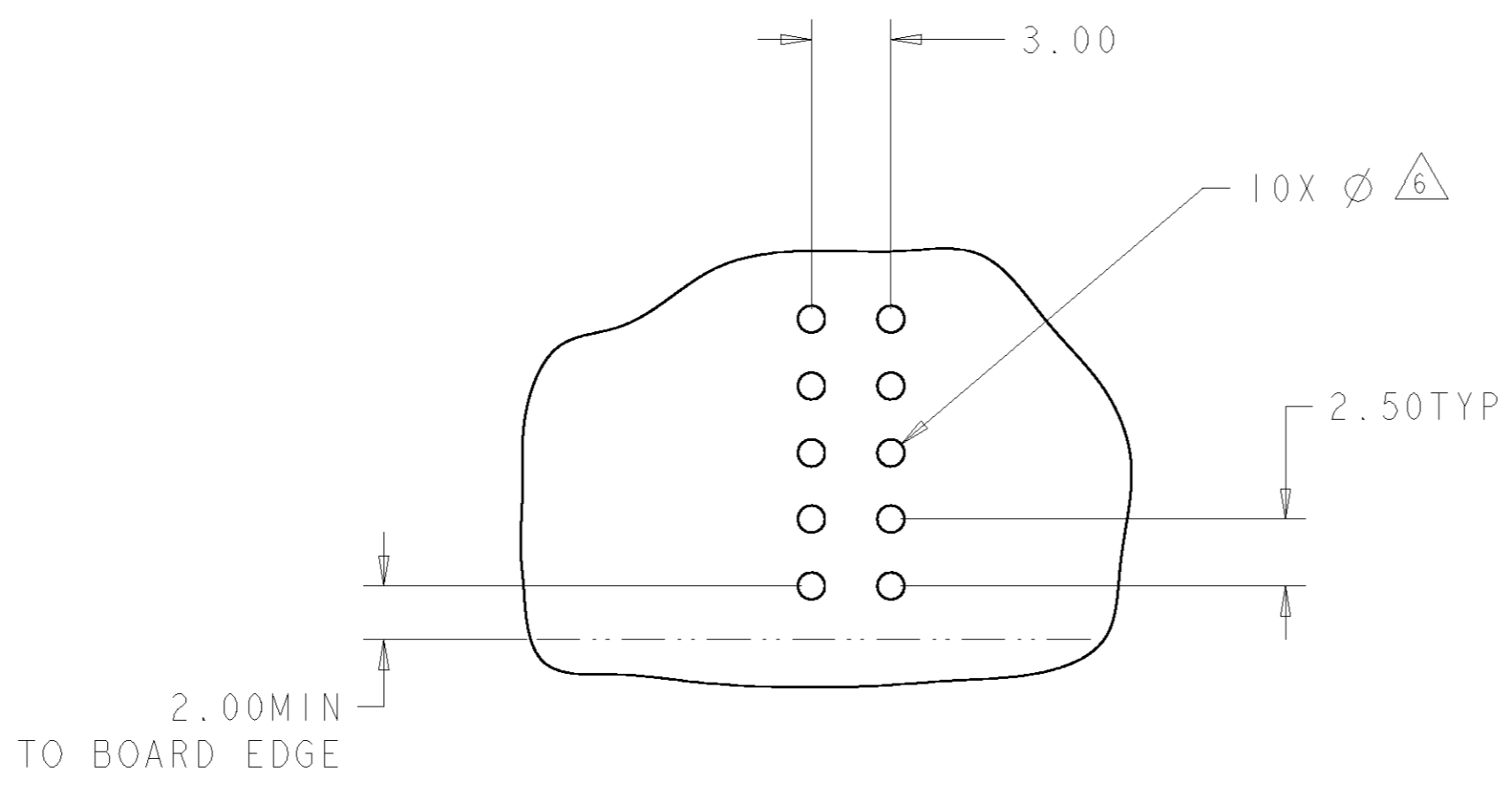
AS SHOWN	6651667-1
DESCRIPTION	PART NUMBER

THIS DRAWING IS A CONTROLLED DOCUMENT FOR TYCO ELECTRONICS CORPORATION. IT IS SUBJECT TO CHANGE AND THE CONTROLLING ENGINEERING ORGANIZATION SHOULD BE CONTACTED FOR THE LATEST REVISION.		DWN	R. GRZYBOWSKI	24JULY07	Tyco Electronics Harrisburg, PA 17105-3608		
DIMENSIONS:		CHK	P. DAMATO	24JULY07			
mm		APVD	S. FLICKINGER	24JULY07			
		PRODUCT SPEC		NAME			
TOLERANCES UNLESS OTHERWISE SPECIFIED:		APPLICATION SPEC		SIZE	CAGE CODE	DRAWING NO	RESTRICTED TO
0 PLC	±	-		A2	00779	C-6651667	-
1 PLC	±.3	WEIGHT		CUSTOMER DRAWING			SCALE
2 PLC	±.15	-		4.1			SHEET
3 PLC	±	-		1			OF
4 PLC	±	-		3			REV
ANGLES	±.5	-		A			
FINISH	-	-					

ELCON FLATPAQ

THIS DRAWING IS UNPUBLISHED. RELEASED FOR PUBLICATION 20
 © COPYRIGHT 20 BY TYCO ELECTRONICS CORPORATION. ALL RIGHTS RESERVED.

LOC	DIST	REVISIONS					
		P	LTR	DESCRIPTION	DATE	DWN	APVD
GP	00	-		SEE SHEET 1	-	-	-



PRINTED CIRCUIT BOARD LAYOUT
 COMPONENT SIDE

CONNECTOR	CATALOG MODULE #	QTY	SIZE NO.	CONTACT QTY	MATING PIN	MAX. CURRENT (PER CONTACT)	CONTACT SPACING	VOLTAGE RATING
SOCKET	FPI00	1	8	1	1.25 X 7.00 [.049 X .276]	35 amps	7.50 [.2953]	250

THIS DRAWING IS A CONTROLLED DOCUMENT FOR TYCO ELECTRONICS CORPORATION. IT IS SUBJECT TO CHANGE AND THE CONTROLLING ENGINEERING ORGANIZATION SHOULD BE CONTACTED FOR THE LATEST REVISION.

DWN	R. GRZYBOWSKI	24 JULY 07
CHK	P. DAMATO	24 JULY 07
APVD	S. FLICKINGER	24 JULY 07
NAME	SOCKET CONNECTOR, STRAIGHT SOLDER, MED. LENGTH FLATPAQ	
PRODUCT SPEC	-	
APPLICATION SPEC	-	
WEIGHT	-	
SCALE	4:1	SHEET 2 OF 3
REV	A	

Tyco Electronics
 Harrisburg, PA 17105-3608

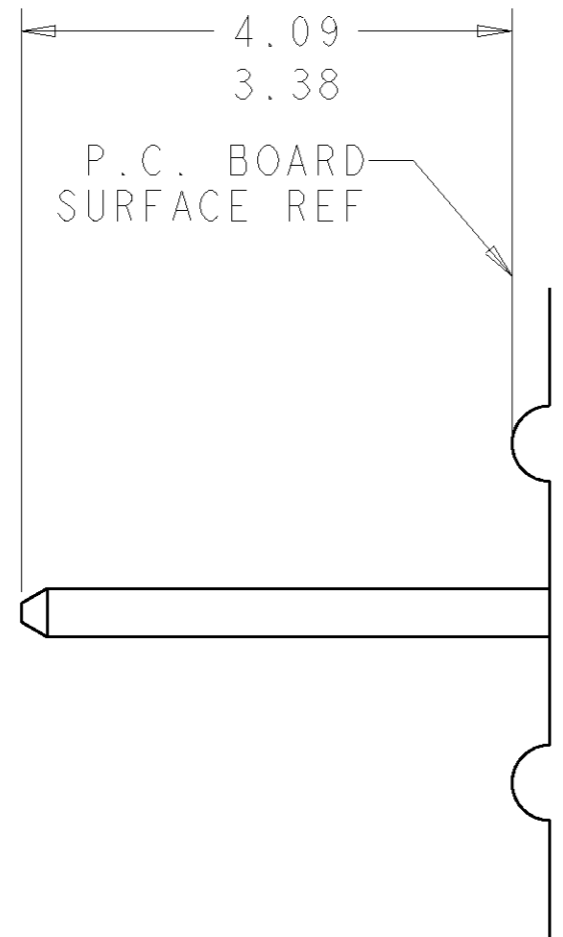
SIZE: A2 CAGE CODE: 00779 DRAWING NO: 6651667 RESTRICTED TO: -

CUSTOMER DRAWING

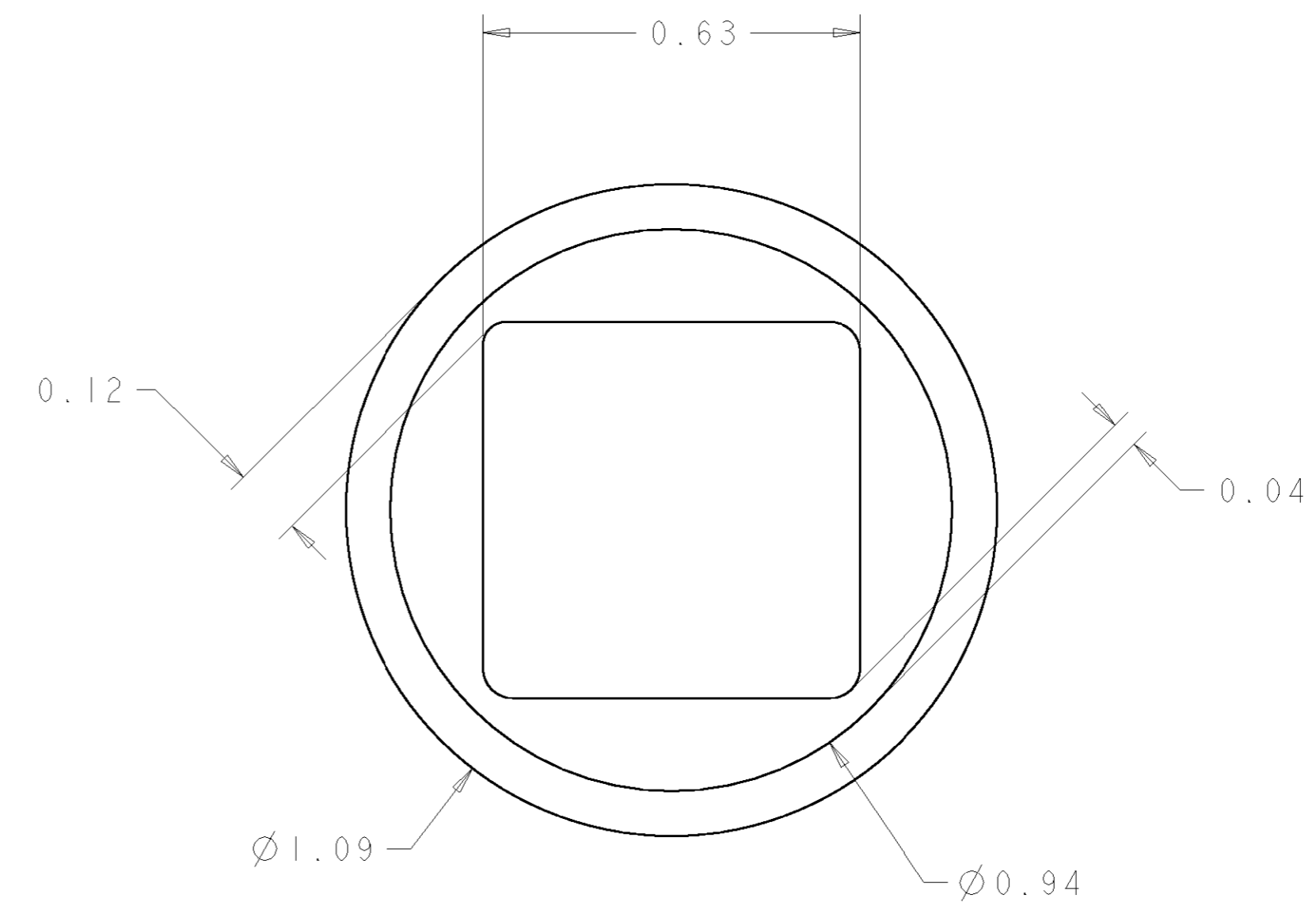
ELCON FLATPAQ

THIS DRAWING IS UNPUBLISHED. RELEASED FOR PUBLICATION 20
 © COPYRIGHT 20 BY TYCO ELECTRONICS CORPORATION. ALL RIGHTS RESERVED.

LOC	DIST	REVISIONS					
GP	00	P	LTR	DESCRIPTION	DATE	DWN	APVD
		-		SEE SHEET 1	-	-	-



5. SOLDER PIN DETAIL
SCALE 10:1



6. SOLDER TERMINATION AREA
SCALE 40:1

RECOMMENDED PRINTED CIRCUIT SOLDER HOLE
 FINISHED HOLE: $\phi 1.02$ [.040] $\pm .08$ [.003]
 DRILLED HOLE: $\phi 1.15$ [.0453] $\pm .013$ [.0005]
 COPPER PLATE: .025 [.0010] MIN
 TIN PLATE: .008 [.0003] MIN. (PER SURFACE)

ELCON FLATPAQ

<small>THIS DRAWING IS A CONTROLLED DOCUMENT FOR TYCO ELECTRONICS CORPORATION IT IS SUBJECT TO CHANGE AND THE CONTROLLING ENGINEERING ORGANIZATION SHOULD BE CONTACTED FOR THE LATEST REVISION.</small>		DWN R. GRZYBOWSKI 24JULY07 CHK P. DAMATO 24JULY07 APVD S. FLICKINGER 24JULY07	Tyco Electronics Harrisburg, PA 17105-3608
DIMENSIONS: mm 	TOLERANCES UNLESS OTHERWISE SPECIFIED: 0 PLC $\pm .3$ 1 PLC $\pm .3$ 2 PLC $\pm .15$ 3 PLC $\pm .15$ 4 PLC $\pm .15$ ANGLES $\pm .5$ FINISH	NAME SOCKET CONNECTOR, STRAIGHT SOLDER, MED. LENGTH FLATPAQ	SIZE A200779
MATERIAL		PRODUCT SPEC APPLICATION SPEC WEIGHT CUSTOMER DRAWING	DRAWING NO C-6651667 RESTRICTED TO - SCALE 4:1 SHEET 3 OF 3 REV A