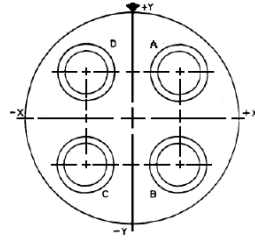


Contact Layout



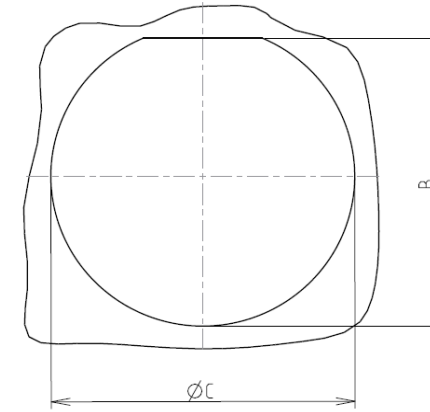
(Inactive for new design for MIL-DTL-38999. For new design, use arrangement no. 21-76.)

| Contacts (Insert arrangement 21-75) | | |
|--|-------------|-------------|
| Contact position ID | Location | |
| | X axis | Y axis |
| A | +180 (4.57) | +180 (4.57) |
| B | +180 (4.57) | -180 (4.57) |
| C | -180 (4.57) | -180 (4.57) |
| D | -180 (4.57) | +180 (4.57) |

| Shell size | Arrangement no. | Number of contacts | Size contacts | Service rating | Contact location | Standard contact | |
|------------|-----------------|--------------------|-----------------|----------------|------------------|------------------|---------------|
| | | | | | | Pin | Socket |
| 21 | -75 | 4 | 8 (see note) | Twinax | All | M39029/90-529 | M39029/91-530 |

Panel cutout

JAM NUT RECEPTACLE (TYPE 7)



Max. thickness panel for receptacle: Type 7: 3.2 mm

| Dim | Nominal |
|-----|---------------|
| B | 37.08+0/-0.25 |
| ØC | 38.35+0.25/-0 |

SOURIAU shall not be liable for any non-conformity or damage due to a use of the Products which does not comply with the Specifications issued by either of the Parties or by a third party (professional recommendation, technical notice.)

| Country | Jurisdiction & Control List |
|---------|-----------------------------|
| FR | Not Listed |

PN: 8D721W75PA

| | | | |
|----------------|------------------------------------|----------------------------|---|
| A | 08-11-2016 | First Release | |
| ISS | DATE | Latest modification - by | MOD N° |
| Designed By: | | Date: | CUSTOMER DRAWING |
| TITLE | Aluminium Receptacle 8D series | | |
| SCALE | | General linear Tolerances: | NPRDS / PROJECT |
| NA | | ±-- | 859 |
| SOURIAU | WWW.SOURIAU.COM | | This document is the property of SOURIAU it must not be reproduced or communicated without permission |
| FORMAT | SOURIAU DRG N° 8D721W75PA-C | | SHEET 2/2 |