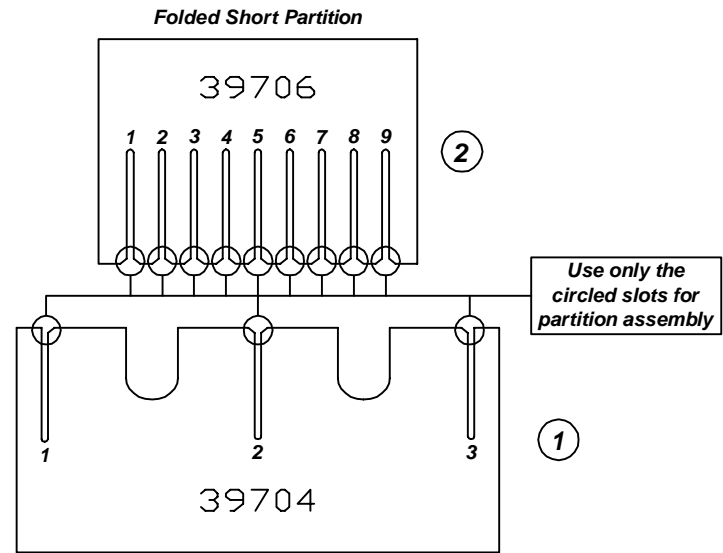
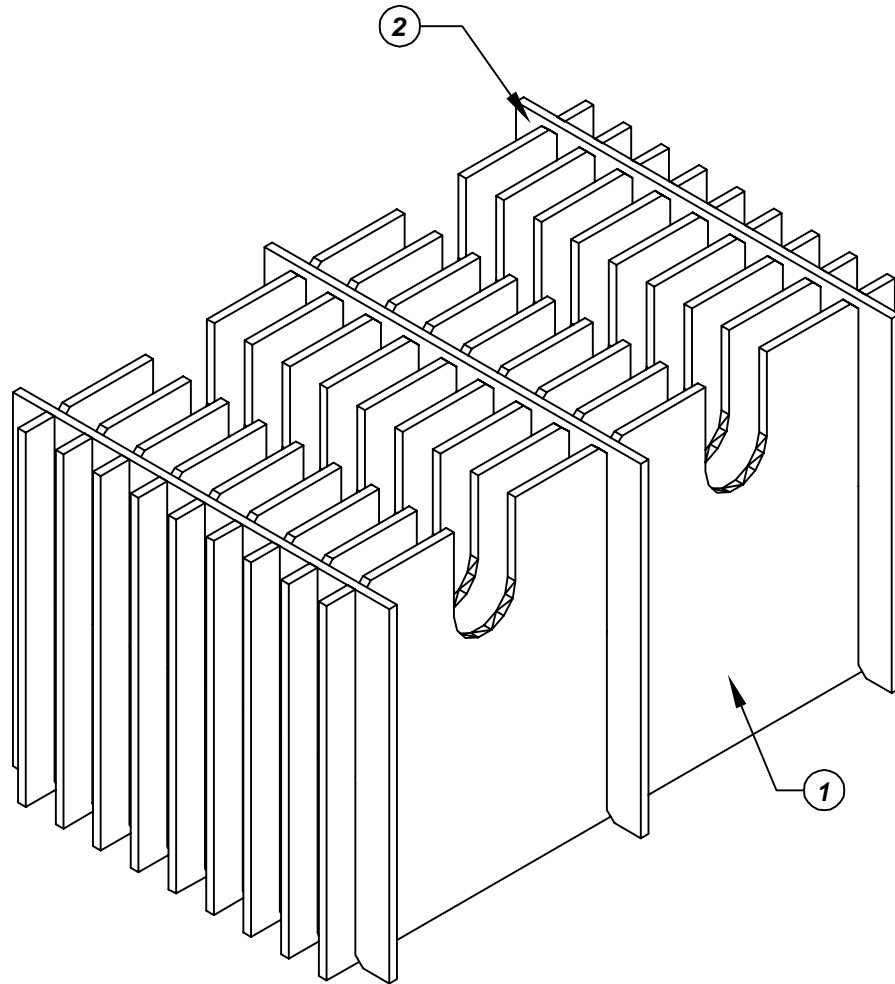
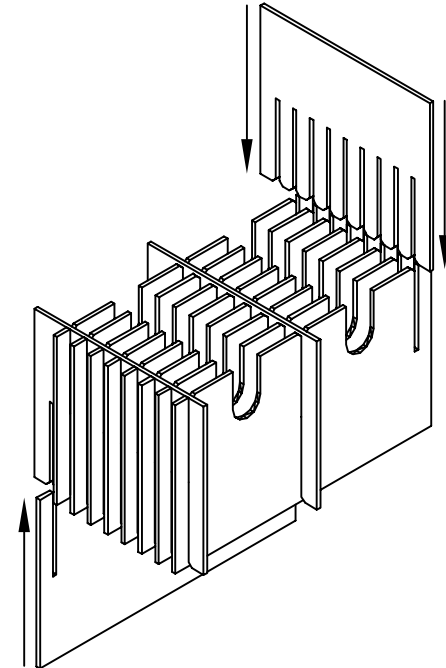


# Assembly Instructions for - 37328



Folded Long Partition



Made in America

F/N ①	Part # 39704	Dimensions: 21-3/8" x 18-1/2"	Description: 459/452/455-LP Long Partition	Qty: 9
F/N ②	Part # 39706	Dimensions: 21-3/8" x 12-1/4"	Description: 459-SP Short Partition	Qty: 3

Notes:  
For use with the following storage container & lid:  
37523 - Storage Container  
37553 - Lid

PROTEKTIVE PAK  
13520 MONTE VISTA AVENUE, CHINO, CA 91710  
PHONE (909) 627-2578, FAX (909) 363-7331  
ProtectivePak.com

**PROTEKTIVE PAK**  
BURIED CONDUCTIVE LAYER

DRAWING NUMBER  
**IPH-37328**

DATE  
Dec.  
2007

**37328 - 20 Cell Inplant Handler**  
**Cell Size - 10-3/4" x 7-3/4" x 1"**