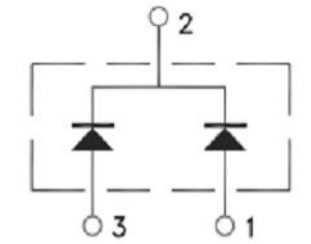
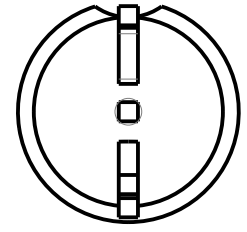
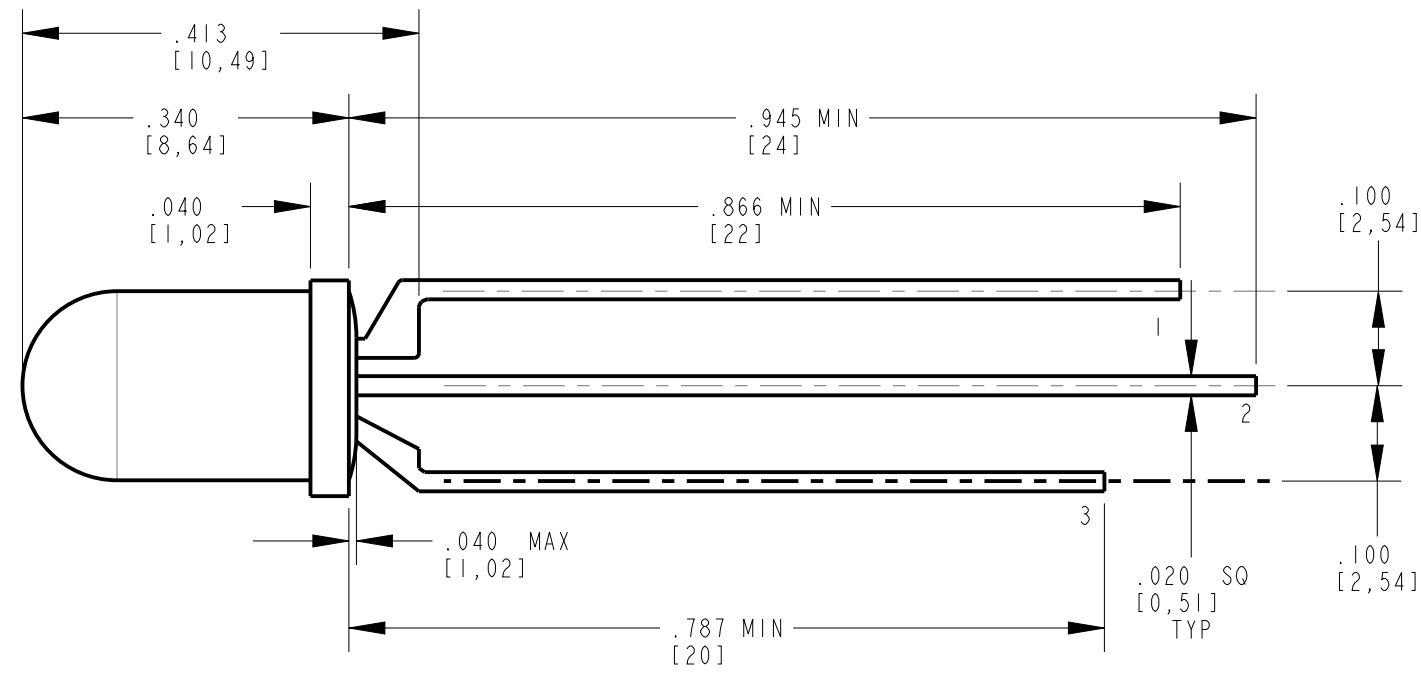
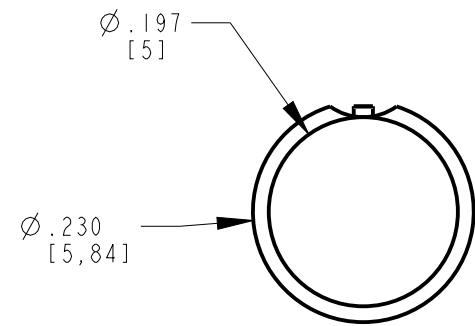


REV	ECN NO	REVISIONS	DRN	CKD	APP	DATE
A	—	NEW RELEASE	VP	WFB	NO	5-8-15



- 1. YELLOW ANODE
- 2. COMMON CATHODE
- 3. GREEN ANODE

RoHS COMPLIANT 521-8397F

Part Numbers with the "F" suffix ending are RoHS Compliant. Packaging is marked with "RoHS Compliant" label or equivalent markings. Parts can be wave soldered, dip soldered or hand soldered using typical lead-free soldering process with max 260°C temp. for 5 sec.

OPERATING CHARACTERISTICS AT 25°C AMBIENT											
LED COLOR	PEAK WAVELENGTH (nm)	DOMINANT WAVELENGTH (nm)			LUMINOUS INTENSITY (mcd) @ I _F =20mA			FORWARD VOLTAGE (V) @ I _F =20mA			VIEWING ANGLE (DEG)
		MIN	TYP	MAX	MIN	TYP	MAX	MIN	TYP	MAX	
YELLOW	591	586	590	593	240	400	680	2.1	2.4		30
GREEN	565	566	569	572	120	240	400	2.1	2.4		30

NOTES:

1. DIE: AlInGaP (YELLOW/GREEN)
2. LENS COLOR: WHITE DIFFUSED
3. LEAD SPACING MEASURED NEAR EPOXY PACKAGE.
4. TERMINATION FINISH: 60-100 min SILVER (Ag) OVER 30-50 min COPPER (Cu) OVER 10-30 min NICKEL (Ni) OVER 30 min COPPER (Cu) ON MILD STEEL BASE METAL.
5. PIN NUMBERS FOR REFERENCE ONLY, DESIGNATION NON-EXISTENT ON PART.
6. DIALIGHT PART NUMBERS: 521-8397F
7. PACKAGING: BULK
8. LABELING: BAGS TO BE IDENTIFIED WITH DIALIGHT P/N, QTY, DATE CODE, AND INTENSITY AND COLOR BIN CATEGORIES.
9. THIS ASSEMBLY CONTAINS ELECTROSTATIC DISCHARGE SENSITIVE DEVICES (ESDS). MAINTAIN ALL PRECAUTIONARY MEASURES DURING ASSEMBLY, HANDLING, AND STORAGE IN ACCORDANCE WITH IPC-A-610.



ATTENTION:
OBSERVE PRECAUTIONS FOR HANDLING ELECTROSTATIC SENSITIVE DEVICES

ABSOLUTE MAXIMUM RATINGS AT 25°C AMBIENT			
	YELLOW	GREEN	UNITS
POWER DISSIPATION	75	75	mW
PEAK FORWARD CURRENT (1/10 DUTY CYCLE, 10ms PULSE WIDTH)	60	60	mA
CONTINUOUS FORWARD CURRENT	30	30	mA
LINEAR DERATING FROM 30°C	0.4	0.4	mA/°C
LEAD SOLDERING TEMPERATURE (.079" [2mm] FROM BODY) FOR 5 SEC.	260		°C
OPERATING TEMPERATURE	-40 TO +100		°C
STORAGE TEMPERATURE	-55 TO +100		°C

THIS DRAWING AND THE CONTENTS HEREIN ARE CONFIDENTIAL AND THE SOLE PROPERTY OF DIALIGHT. REPRODUCTION OF THIS DRAWING OR CONSTRUCTION OF ANY PARTS WITHIN THIS DRAWING ARE FORBIDDEN WITHOUT THE WRITTEN CONSENT OF DIALIGHT.		
SCALE: 5.000 ALL DIM'S IN: INCHES (MM)	DRAWING NUMBER C-18177	REV A
TOLERANCES: UNLESS OTHERWISE SPECIFIED FRACTIONS: ±1/64 DECIMALS (.XX): ±.01 DECIMALS (.XXX): ±.010	TITLE Ø 5MM Y/G BI-COLOR LED RoHS COMPLIANT	
ANGLES: ±1° FINISH:	MATERIAL	
FSCM 83330	1501 ROUTE 34 SOUTH FARMINGDALE, NJ 07727	
SHEET 1 OF 1 FAMILY TABLE:		