

4

3

2

1

D

D

C

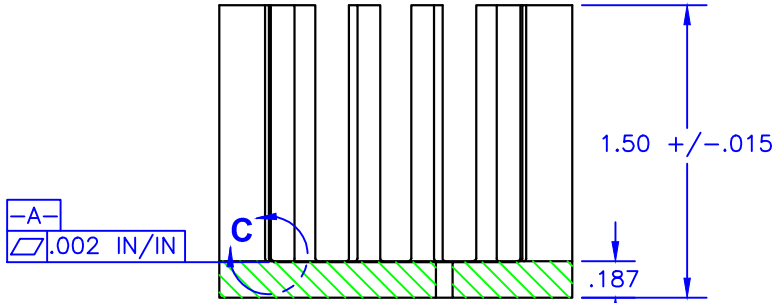
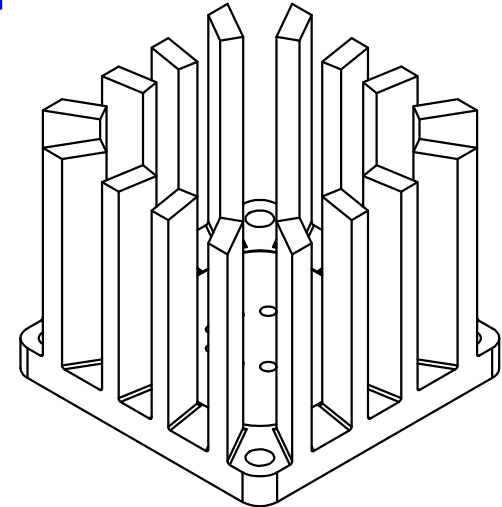
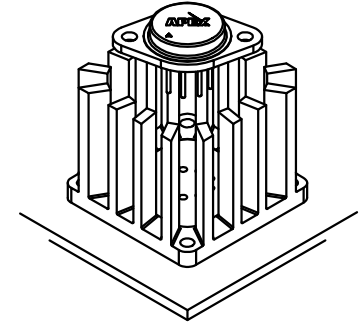
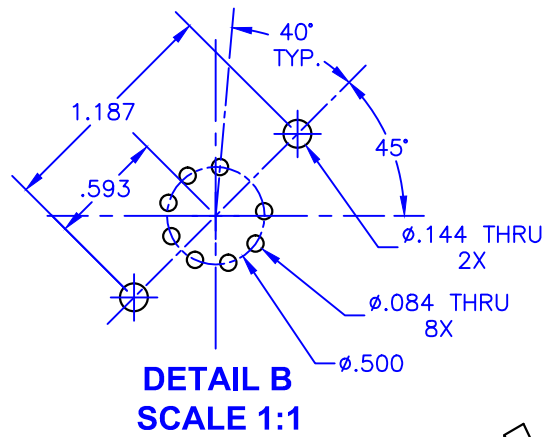
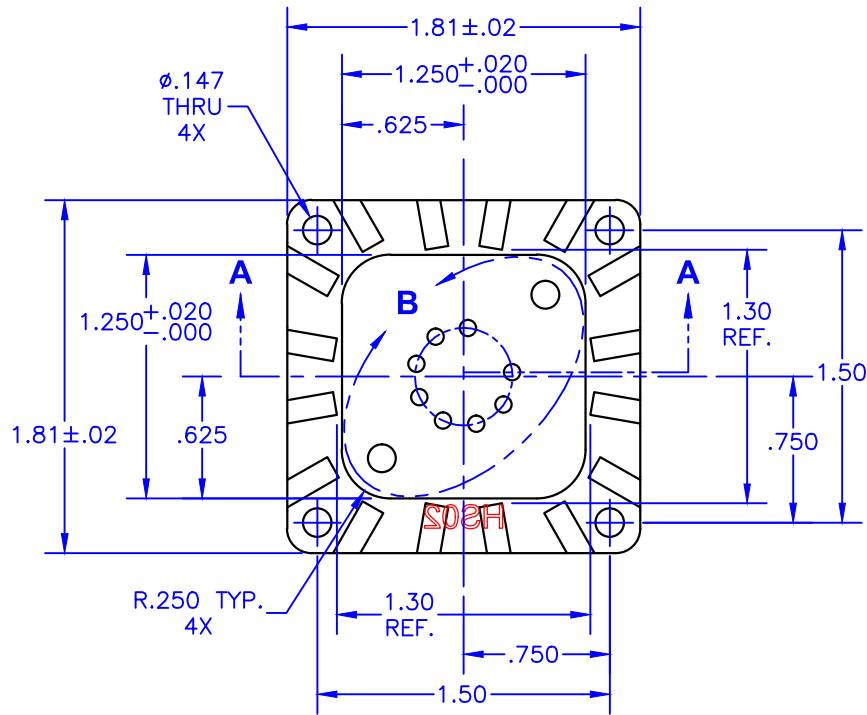
C

B

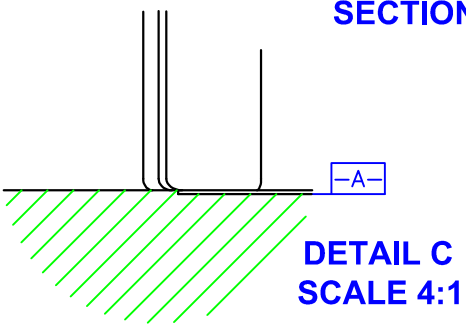
B

A

A



SECTION A-A



DETAIL C SCALE 4:1

NOTES:

1. Unless otherwise noted, all dimensions are in inches.
2. Break all sharp edges, de-burr & remove loose chips.
3. Material: Aluminum (M/F AAVID Thermalloy 5684 stamping blank)
4. Machine 1.25×1.25 area of surface -A- flat to within $.002$ in/in.
5. Finish: Anodize per MIL-A-8625, Type II, Class 2, Black
Typical breakdown voltage > 300V
6. Mark with contrasting ink as shown, if specified by P.O.
7. Approximate Weight: 1.9 oz [54g]
8. Thermal rating: $4.5 \text{ }^\circ\text{C/W}$

TOLERANCES - UNLESS OTHERWISE SPECIFIED		TITLE: HEATSINK, TO-3				MODEL: HS02	
.XX = $\pm .01$ [.254]		SUBJECT: MECHANICAL DRAWING					
.XXX = $\pm .005$ [.127]		ENGINEER: KG	DRAWN BY: J.FAY	DCA: 14142	SH. 1	OF 1	FILENAME: HS02
ANG. = $\pm 5^\circ$		APEX HIGH TECHNOLOGY CORPORATION - P.O. BOX 444444				REV: N	DATE: 24JUL14

4

3

2

1