

NCV7380

LIN Transceiver

The NCV7380 is a physical layer device for a single wire data link capable of operating in applications where high data rate is not required and a lower data rate can achieve cost reductions in both the physical media components and in the microprocessor which uses the network. The NCV7380 is designed to work in systems developed for LIN 1.3 or LIN 2.0. The IC furthermore can be used in ISO9141 systems.

Because of the very low current consumption of the NCV7380 in recessive state, it's suitable for ECU applications with low standby current requirements, whereby no sleep/wakeup control from the microprocessor is necessary.

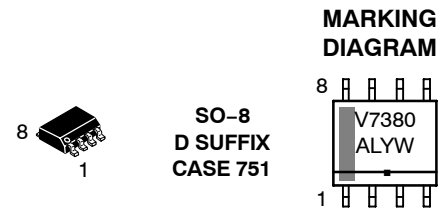
Features

- Operating Voltage $V_S = 7.0$ to 18 V
- Low Current Consumption of Typ. $24 \mu A$
- LIN-Bus Transceiver:
 - ◆ Slew Rate Control for Good EMC Behavior
 - ◆ Fully Integrated Receiver Filter
 - ◆ BUS Input Voltage -27 V to 40 V
 - ◆ Integrated Termination Resistor for LIN Slave Nodes (30 k Ω)
 - ◆ Baud Rate up to 20 kBaud
 - ◆ Will Work in Systems Designed for either LIN 1.3 or LIN 2.0
- Compatible to ISO9141 Functions
- High EMI Immunity
- Bus Terminals Protect Against Short-Circuits and Transients in the Automotive Environment
- Bus Pin High Impedance During Loss of Ground and Undervoltage Conditions
- Thermal Overload Protection
- High Signal Symmetry for use in RC-Based Slave Nodes up to 2% Clock Tolerance when Compared to the Master Node
- ± 1000 V ESD Protection, Charged Device Model
- NCV Prefix for Automotive and Other Applications Requiring Site and Change Control
- Pb-Free Packages are Available



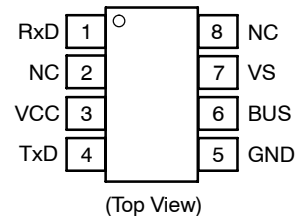
ON Semiconductor®

<http://onsemi.com>



V7380 = Specific Device Code
 A = Assembly Location
 L = Wafer Lot
 Y = Year
 W = Work Week
 ■ = Pb-Free Package

PIN CONNECTIONS



ORDERING INFORMATION

Device	Package	Shipping†
NCV7380D	SO-8	95 Units/Rail
NCV7380DG	SO-8 (Pb-Free)	95 Units/Rail
NCV7380DR2	SO-8	2500 Tape & Reel
NCV7380DR2G	SO-8 (Pb-Free)	2500 Tape & Reel

† For information on tape and reel specifications, including part orientation and tape sizes, please refer to our Tape and Reel Packaging Specifications Brochure, BRD8011/D.

NCV7380

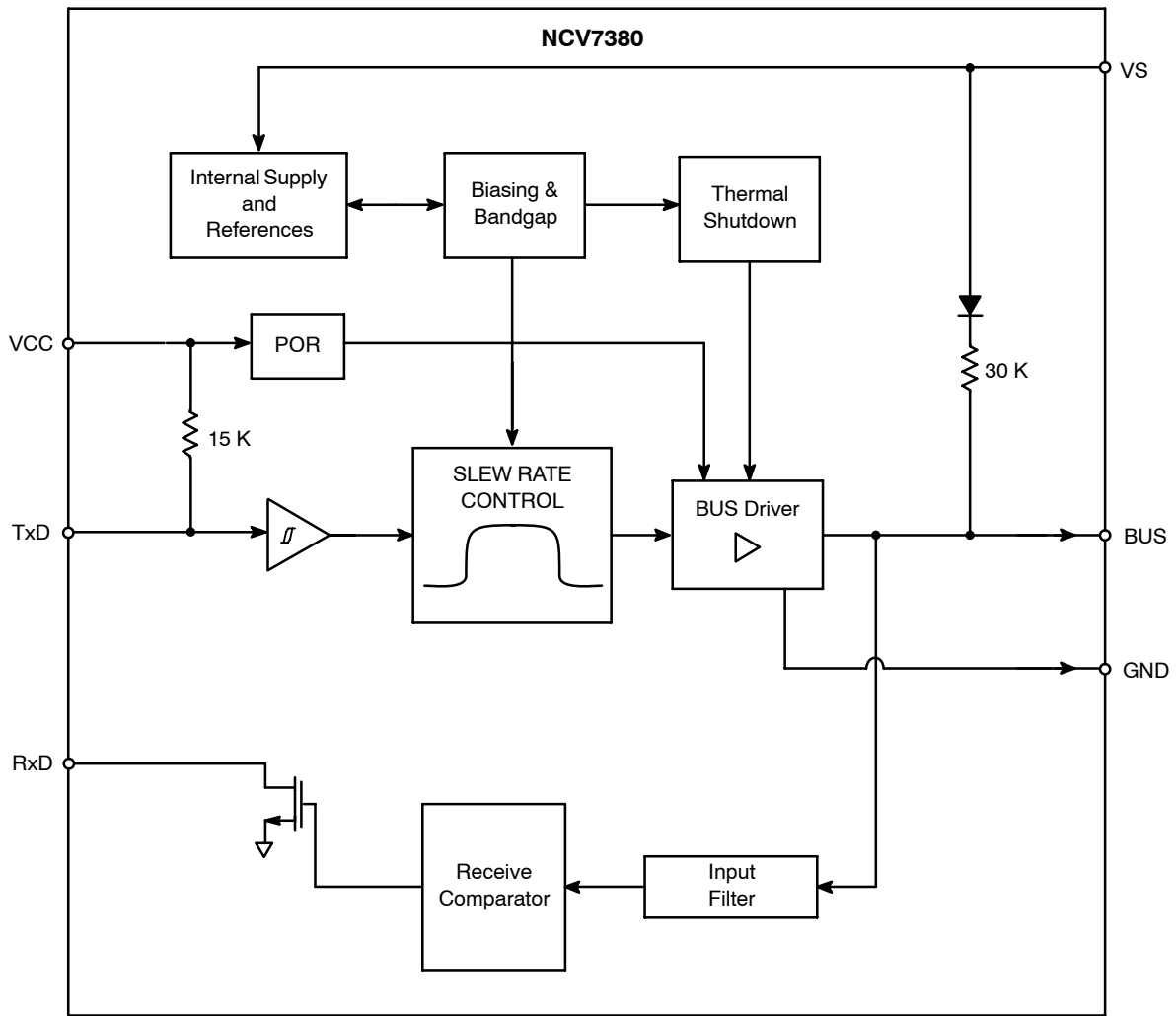


Figure 1. Block Diagram

PACKAGE PIN DESCRIPTION

Pin	Symbol	Description
1	RXD	Receive data from BUS to microprocessor, LOW in dominant state.
2	NC	No connection.
3	VCC	5.0 V supply input.
4	TXD	Transmit data from microprocessor to BUS, LOW in dominant state.
5	GND	Ground.
6	BUS	LIN bus pin, LOW in dominant state.
7	VS	Battery input voltage.
8	NC	No connection.

NCV7380

Electrical Specification

All voltages are referenced to ground (GND). Positive currents flow into the IC.

The maximum ratings given in the table below are limiting values that do not lead to a permanent damage of

the device but exceeding any of these limits may do so. Long term exposure to limiting values may effect the reliability of the device.

OPERATING CONDITIONS

Characteristic	Symbol	Min	Max	Unit
Battery Supply Voltage (Note 1)	V_S	7.0	18	V
Supply Voltage	V_{CC}	4.5	5.5	V
Operating Ambient Temperature	T_A	-40	+125	°C

MAXIMUM RATINGS

Rating	Symbol	Condition	Min	Max	Unit
Battery Supply Voltage	V_S	t < 1 min	-0.3	30	V
		Load Dump, t < 500 ms		40	
Supply Voltage	V_{CC}	-	-0.3	+7.0	V
Transient Supply Voltage	$V_{S.tr1}$	ISO 7637/1 Pulse 1 (Note 2)	-150	-	V
Transient Supply Voltage	$V_{S.tr2}$	ISO 7637/1 Pulses 2 (Note 2)	-	100	V
Transient Supply Voltage	$V_{S.tr3}$	ISO 7637/1 Pulses 3A, 3B	-150	150	V
BUS Voltage	V_{BUS}	t < 500 ms, $V_S = 18$ V	-27	40	V
		t < 500 ms, $V_S = 0$ V	-40		
Transient Bus Voltage	$V_{BUS.tr1}$	ISO 7637/1 Pulse 1 (Note 3)	-150	-	V
Transient Bus Voltage	$V_{BUS.tr2}$	ISO 7637/1 Pulses 2 (Note 3)	-	100	V
Transient Bus Voltage	$V_{BUS.tr3}$	ISO 7637/1 Pulses 3A, 3B (Note 3)	-150	150	V
DC Voltage on Pins TxD, RxD	V_{DC}	-	-0.3	7.0	V
ESD Capability, Charged Device Model	V_{ESDCDM}	(Note 4)	-1.0	1.0	kV
ESD Capability of RxD, TxD, V_{CC} , BUS Pins ESD Capability of V_S Pin	V_{ESDHBM}	Human body model, equivalent to discharge 100 pF with 1.5 k Ω (Note 4)	-2.0	2.0	kV
			-1.5	1.5	kV
Maximum Latchup Free Current at Any Pin	I_{LATCH}	-	-500	500	mA
Maximum Power Dissipation	P_{tot}	At $T_A = 125^\circ\text{C}$	-	197	mW
Thermal Impedance	θ_{JA}	In Free Air	-	152	°C/W
Storage Temperature	T_{stg}	-	-55	+150	°C
Junction Temperature	T_J	-	-40	+150	°C

LEAD TEMPERATURE SOLDERING REFLOW

Lead Free, 60 sec -150 sec above 217, 40 sec Max at Peak	T_{SLD}	-	265 Peak	°C
Leaded, 60 sec -150 sec above 183, 30 sec Max at Peak	T_{SLD}	-	240 Peak	°C

Stresses exceeding Maximum Ratings may damage the device. Maximum Ratings are stress ratings only. Functional operation above the Recommended Operating Conditions is not implied. Extended exposure to stresses above the Recommended Operating Conditions may affect device reliability.

- V_S is the IC supply voltage including voltage drop of reverse battery protection diode, $V_{DROP} = 0.4$ to 1.0 V, V_{BAT_ECU} voltage range is 7.0 to 18 V.
- ISO 7637 test pulses are applied to V_S via a reverse polarity diode and > 2.0 μF blocking capacitor.
- ISO 7637 test pulses are applied to BUS via a coupling capacitance of 1.0 nF.
- This device incorporates ESD protection and is tested by the following methods:
ESD HBM tested per AEC-Q100-002 (EIA/JESD22-A 114C)
ESD CDM tested per EIA/JESD22-C 101C, Field Induced Model.

NCV7380

ELECTRICAL CHARACTERISTICS ($V_S = 7.0$ to 18 V, $V_{CC} = 4.5$ to 5.5 V and $T_A = -40$ to 125°C unless otherwise noted.)

Characteristic	Symbol	Condition	Min	Typ	Max	Unit
GENERAL						
V_{CC} Undervoltage Lockout	V_{CC_UV}	$V_S > 6.0$ V, TxD = L, EN = H	2.75	–	4.3	V
Supply Current, Dominant	I_{sd}	$V_S = 18$ V, $V_{CC} = 5.5$ V, TxD = L	–	1.0	3.0	mA
Supply Current, Dominant	I_{CCd}	$V_S = 18$ V, $V_{CC} = 5.5$ V, TxD = L	–	0.8	1.5	mA
Supply Current, Recessive	I_{sr}	$V_S = 18$ V, $V_{CC} = 5.5$ V, TxD = Open	–	10	20	μA
Supply Current, Recessive	I_{CCr}	$V_S = 18$ V, $V_{CC} = 5.5$ V, TxD = Open	–	14	30	μA
Supply Current, Recessive	$I_{Sr} + I_{CCr}$	$V_S = 12$ V, $V_{CC} = 5.0$ V, TxD = Open, $T_A = 25^\circ$	–	24	–	μA
Thermal Shutdown	T_{sd} (Note 5)	–	155	–	180	$^\circ\text{C}$
Thermal Recovery	T_{hys} (Note 5)	–	126	140	150	$^\circ\text{C}$

BUS – Transmit

Short Circuit Bus Current	I_{BUS_LIM} (Notes 6 and 7)	$V_{BUS} = V_S$, Driver On	–	120	200	mA
Pullup Current Bus	I_{BUS_PU} (Notes 6 and 7)	$V_{BUS} = 0$, $V_S = 12$ V, Driver Off	–600	–	–200	μA
Bus Reverse Current, Recessive	$I_{BUS_PAS_rec}$ (Notes 6 and 7)	$V_{BUS} > V_S$, 8.0 V $< V_{BUS} < 18$ V, 7.0 V $< V_S < 18$ V, Driver Off	–	–	5.0	μA
Bus Reverse Current Loss of Battery	I_{BUS} (Notes 6 and 7)	$V_S = 0$ V, 0 V $< V_{BUS} < 18$ V	–	–	5.0	μA
Bus Current During Loss of Ground	$I_{BUS_NO_GND}$ (Notes 6 and 7)	$V_S = 12$ V, $0 < V_{BUS} < 18$ V	–1.0	–	1.0	mA
Transmitter Dominant Voltage	$V_{BUSdom_DRV_2}$ (Note 6)	$V_S = 7.0$ V, Load = 500Ω	–	–	1.2	V
Transmitter Dominant Voltage	$V_{BUSdom_DRV_3}$ (Note 6)	$V_S = 18$ V, Load = 500Ω	–	–	2.0	V
Bus Input Capacitance	C_{BUS} (Note 5)	Pulse Response via 10 k Ω , $V_{PULSE} = 12$ V, $V_S = \text{Open}$	–	25	35	pF

BUS – Receive

Receiver Dominant Voltage	V_{BUSdom} (Notes 6 and 7)	–	$0.4 * V_S$	–	–	V
Receiver Recessive Voltage	V_{BUSrec} (Notes 6 and 7)	–	–	–	$0.6 * V_S$	V
Center Point of Receiver Threshold	V_{BUS_CNT} (Notes 6 and 7)	$V_{BUS_CNT} = (V_{BUSdom} + V_{BUSrec})/2$	$0.487 * V_S$	$0.5 * V_S$	$0.512 * V_S$	V
Receiver Hysteresis	V_{HYS} (Notes 6 and 7)	$V_{BUS_CNTt} = (V_{BUSrec} - V_{BUSdom})$	–	$0.16 * V_S$	–	V

5. No production test, guaranteed by design and qualification.
6. In accordance to LIN physical layer specification 1.3.
7. In accordance to LIN physical layer specification 2.0.

NCV7380

ELECTRICAL CHARACTERISTICS (continued) ($V_S = 7.0$ to 18 V, $V_{CC} = 4.5$ to 5.5 V and $T_A = -40$ to 125°C unless otherwise noted.)

Characteristic	Symbol	Condition	Min	Typ	Max	Unit
TXD						
High Level Input Voltage	V_{ih}	Rising Edge	-	-	$0.7 \cdot V_{CC}$	V
Low Level Input Voltage	V_{il}	Falling Edge	$0.3 \cdot V_{CC}$	-	-	V
TxD Pullup Resistor	R_{IH_TXD}	$V_{TXD} = 0$ V	10	15	25	k Ω

RXD

Low Level Output Voltage	V_{ol_rxd}	$I_{RXD} = 2.0$ mA	-	-	0.9	V
Leakage Current	V_{leak_rxd}	$V_{RXD} = 5.5$ V, Recessive	-10	-	10	μA

AC CHARACTERISTICS

Propagation Delay Transmitter (Notes 10 and 12)	t_{trans_pdf} t_{trans_pdr}	Bus Loads: 1.0 K Ω / 1.0 nF, 660 Ω / 6.8 nF, 500 Ω / 10 nF	-	-	5.0	μs
Propagation Delay Transmitter Symmetry (Notes 8 and 12)	t_{trans_sym}	Calculate $t_{trans_pdf} - t_{trans_pdr}$	-2.0	-	2.0	μs
Propagation Delay Receiver (Notes 8, 9, 10, 12 and 15)	t_{rec_pdf} t_{rec_pdr}	$C_{RXD} = 20$ pF	-	-	6.0	μs
Propagation Delay Receiver Symmetry (Notes 8 and 9)	t_{rec_sym}	Calculate $t_{trans_pdf} - t_{trans_pdr}$	-2.0	-	2.0	μs
Slew Rate Rising and Falling Edge, High Battery (Notes 8 and 13)	t_{SR_HB}	Bus Loads: $V_S = 18$ V, 1.0 K Ω / 1.0 nF, 660 Ω / 6.8 nF, 500 Ω / 10 nF	1.0	2.0	3.0	V/ μs
Slew Rate Rising and Falling Edge, Low Battery (Notes 8 and 13)	t_{SR_LB}	Bus Loads: $V_S = 7.0$ V, 1.0 K Ω / 1.0 nF, 660 Ω / 6.8 nF, 500 Ω / 10 nF	0.5	2.0	3.0	V/ μs
Slope Symmetry, High Battery (Notes 8 and 13)	t_{ssym_HB}	Bus Loads: $V_S = 18$ V, 1.0 K Ω / 1.0 nF, 660 Ω / 6.8 nF, 500 Ω / 10 nF, Calculate $t_{sdom} - t_{srec}$	-5.0	-	5.0	μs
Bus Duty Cycle (Notes 9 and 16)	D1 D2	Calculate $t_{BUS_rec(min)}/100$ μs Calculate $t_{BUS_rec(max)}/100$ μs	0.396 -	- -	- 0.581	$\mu\text{s}/\mu\text{s}$ $\mu\text{s}/\mu\text{s}$
Receiver Debounce Time (Notes 11, 14 and 15)	t_{rec_deb}	BUS Rising and Falling Edge	1.5	-	4.0	μs

8. In accordance to LIN physical layer specification 1.3.

9. In accordance to LIN physical layer specification 2.0.

10. Propagation delays are not relevant for LIN protocol transmission, only symmetry.

11. No production test, guaranteed by design and qualification.

12. See Figure 2 – Input/Output Timing.

13. See Figure 7 – Slope Time Calculation.

14. See Figure 3 – Receiver Debouncing.

15. This parameter is tested by applying a square wave to the bus. The minimum slew rate for the bus rising and falling edges is 50 V/ μs .

16. See Figure 8 – Duty Cycle Measurement and Calculation.

TIMING DIAGRAMS

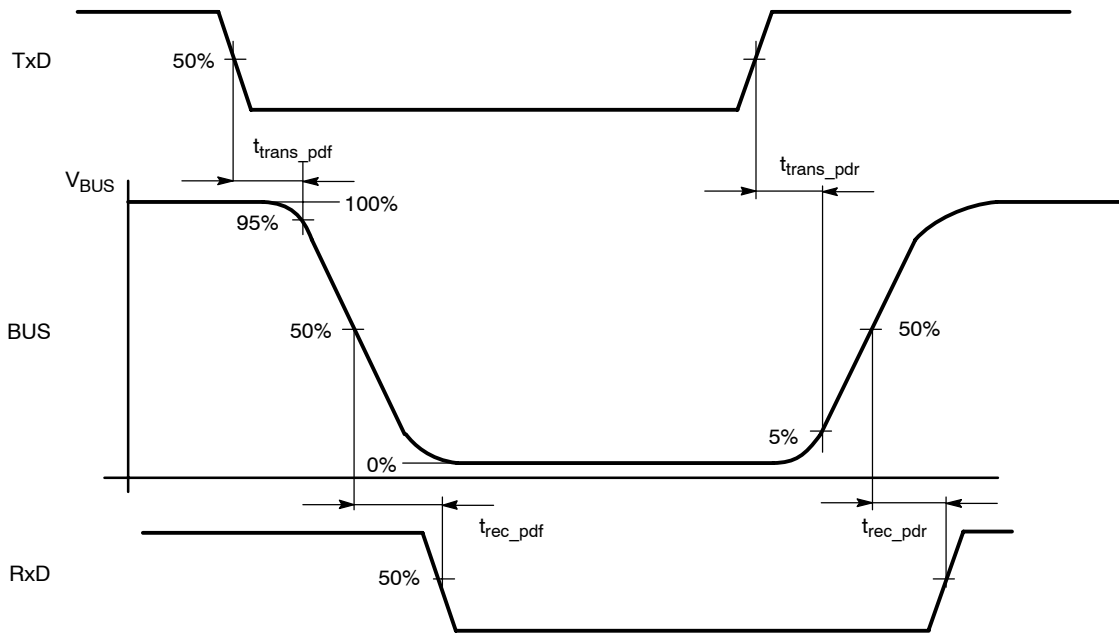


Figure 2. Input/Output Timing

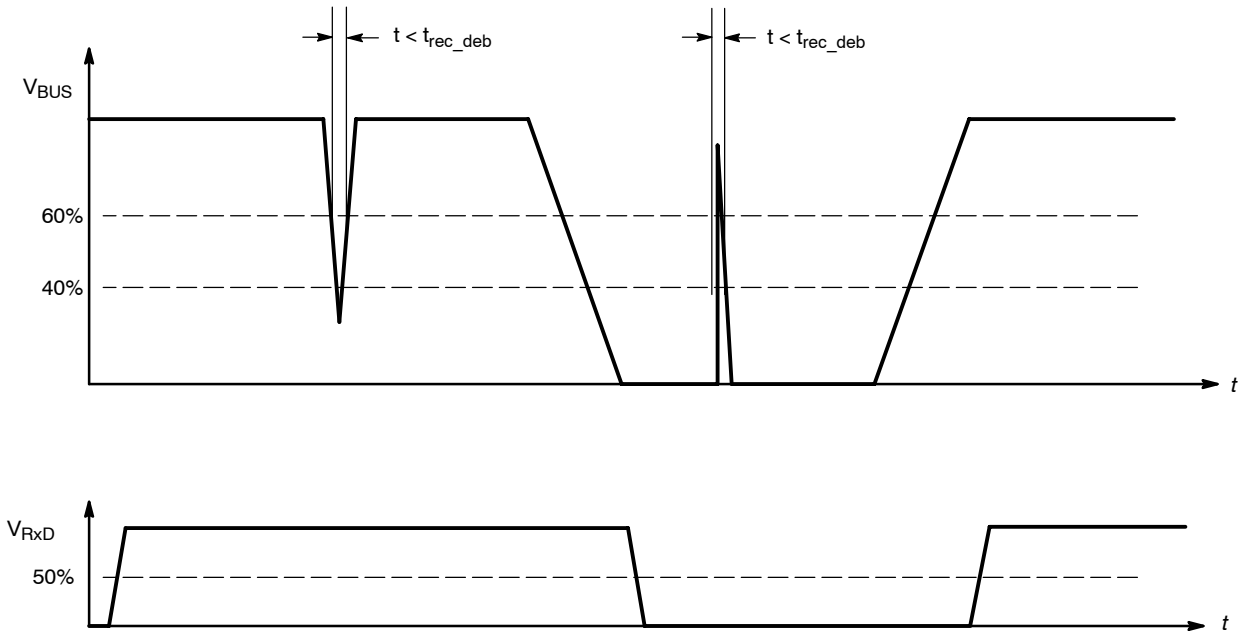


Figure 3. Receiver Debouncing Filter

NCV7380

TEST CIRCUITS FOR DYNAMIC AND STATIC CHARACTERISTICS

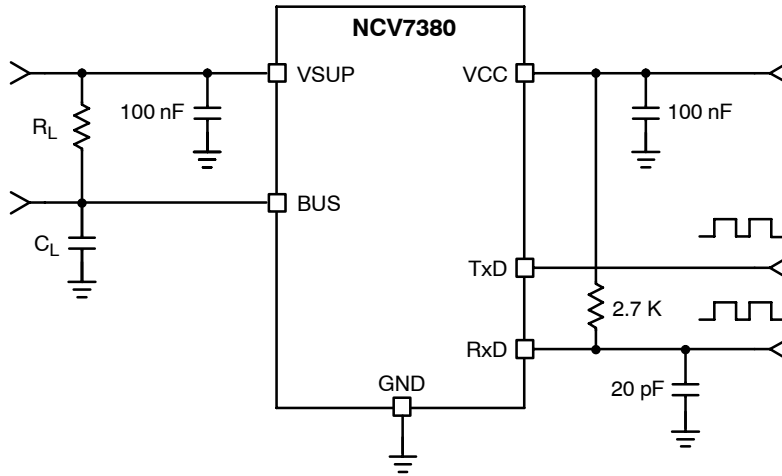


Figure 4. Test Circuit for Dynamic Characteristics

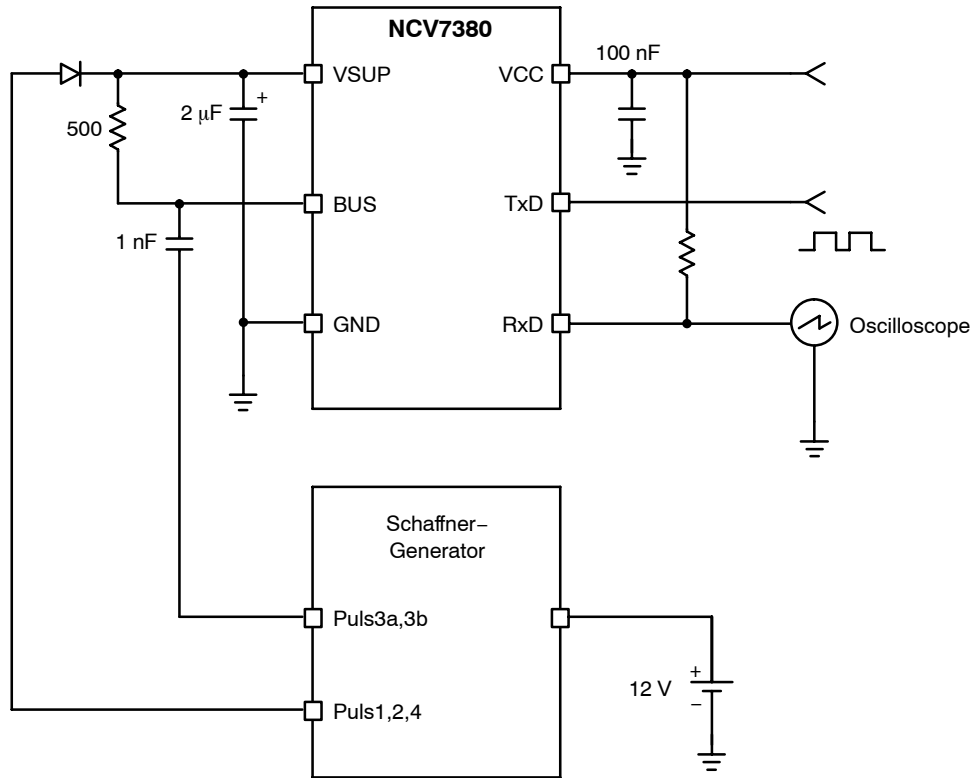


Figure 5. Test Circuit for Automotive Transients

Functional Description

Initialization

After *power on*, the chip automatically enters the recessive state (TxD = Open). Both V_{CC} and V_S must be present.

Operating Modes

All operation modes will be handled from the NCV7380 automatically.

Normal Mode

After power on, the IC switches automatically to normal mode. Bus communication is possible. If there is no communication on the bus line the power consumption of the IC is very low and does not require microprocessor control.

Thermal Shutdown Mode

If the junction temperature T_j is higher than 155°C , the NCV7380 could be switched into the thermal shutdown mode (bus driver will be switched off, receiver is on).

If T_j falls below the thermal shutdown temperature (typical 140°C) the NCV7380 will be switched to the normal mode.

LIN BUS Transceiver

The transceiver consists of a bus-driver (1.2 V @ 40 mA) with slew rate control and current limit, and a receiver with a high voltage comparator with filter circuitry.

BUS Input/Output

The recessive BUS level is generated from the integrated 30 k pullup resistor in series with a diode. The diode prevents reverse current on V_{BUS} when $V_{BUS} > V_S$.

No additional termination resistor is necessary to use the NCV7380 on LIN slave nodes. If this IC is used for LIN master nodes, it is necessary to terminate the bus with an external 1.0 k Ω resistor in series with a diode to V_{BAT} (Figure 9).

TxD Input

During transmission the signal on TxD will be transferred to the BUS driver for generating a BUS signal. To minimize the electromagnetic emission of the bus line, the BUS driver has integrated slew rate control and wave shaping.

Transmitting will be interrupted if thermal shutdown is active.

The CMOS compatible input TxD directly controls the BUS level:

TxD = low \rightarrow BUS = low (dominant level)

TxD = high \rightarrow BUS = high (recessive level)

The TxD pin has an internal pullup resistor connected to V_{CC} . This secures that an open TxD pin generates a recessive BUS level.

RxD Output

The signal on the BUS pin will be transferred continuously to the RxD pin. Short spikes on the bus signal are filtered with internal circuitry (Figure 3 and Figure 6).

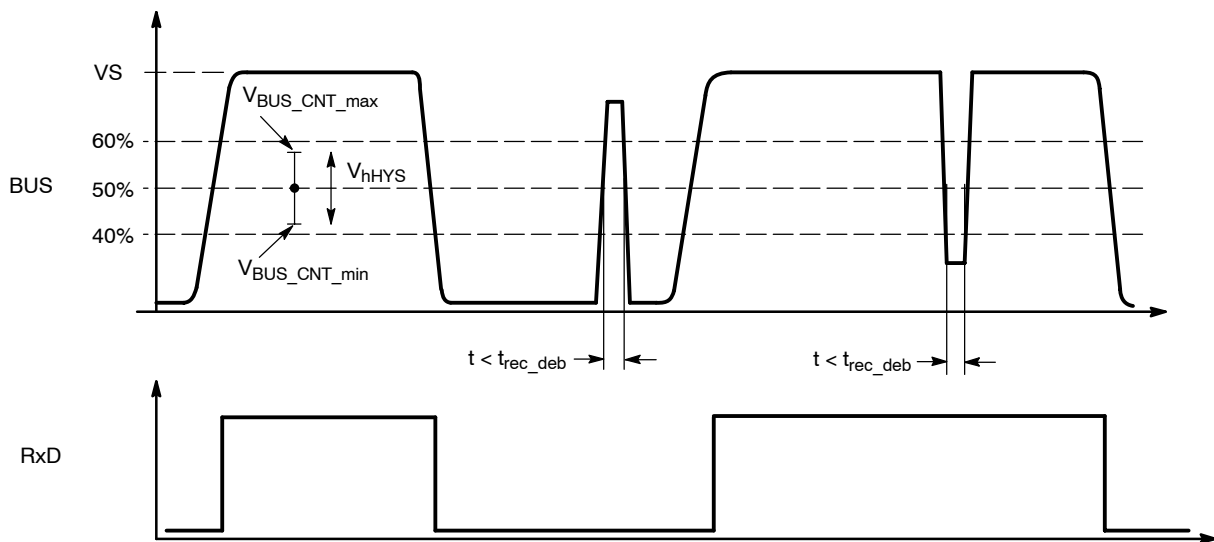


Figure 6. Receive Impulse Diagram

NCV7380

The receive threshold values $V_{BUS_CNT_max}$ and $V_{BUS_CNT_min}$ are symmetrical to $0.5 \cdot V_S$ with a hysteresis of $0.16 \cdot V_S$ (typ). The LIN specific receive threshold is between $0.4 \cdot V_S$ and $0.6 \cdot V_S$.

The received BUS signal will be output to the RxD pin:

$$BUS < V_{BUS_CNT} - 0.5 \cdot V_{HYS} \\ \rightarrow RxD = \text{low (BUS dominant)}$$

$$BUS > V_{BUS_CNT} + 0.5 \cdot V_{HYS} \\ \rightarrow RxD = \text{high, floating (BUS recessive)}$$

RxD is a buffered open drain output with a typical load of:

Resistance: 2.7 k Ω

Capacitance: < 20 pF

Data Rate

The NCV7380 is a *constant slew rate* transceiver. The bus driver operates with a fixed slew rate range of 1.0 V/ μ s $\leq \Delta V/\Delta T \leq 3.0$ V/ μ s. This principle provides very good symmetry of the slope times between recessive to dominant and dominant to recessive slopes within the LIN bus load range (C_{BUS} , R_{term}).

The NCV7380 guarantees data rates up to 20 kBit within the complete bus load range under worst case conditions. The constant slew rate principle holds appropriate voltage levels and can operate within the LIN Protocol Specification for RC oscillator systems with a matching tolerance up to 2%.

Application Hints

LIN System Parameter

Bus Loading Requirements

Parameter	Symbol	Min	Typ	Max	Unit
Operating Voltage Range	V_{BAT}	8.0	–	18	V
Voltage Drop of Reverse Protection Diode	V_{Drop_rev}	0.4	–	1.0	V
Voltage Drop of Bus Decouple Diode in the Master Node	V_{Drop_dec}	0.4	–	1.0	V
Battery Offset Voltage	V_{batoff}	–	–	0.1	V_{BAT}
Ground Offset Voltage	V_{goff}	–	–	0.1	V_{BAT}
Master Termination Resistor	R_{pu_master}	900	1000	1100	Ω
Slave Termination Resistor	R_{pu_slave}	20	30	60	k Ω
Number of System Nodes	N	2	–	16	–
Network Distance between any two ECU Nodes	B_{US_length}	–	–	40	m
Line Capacitance	C_{LINE}	–	100	150	pF/m
Capacitance of Master Node	C_{Master}	–	220	–	pF
Capacitance of Slave Node	C_{Slave}	195	220	300	pF
Network Total Capacitance	C_{t1}	1.0	4.0	10	nF
Network Total Resistance	R_{t1}	537	–	863	Ω
Time Constant of Overall System	τ_{net}	1.0	–	5.0	μ s

Operating Under Disturbance

Loss of Battery

If V_S and V_{CC} are disconnected from the battery, the bus pin is in high impedance state. There is no impact to the bus traffic.

Loss of Ground

In case of an interrupted ground connection from V_S and V_{CC} , there is no influence to the bus line.

Short Circuit BUS to Battery

The transmitter output current is limited to 200 mA (max) in case of short circuit to battery.

Short Circuit BUS to Ground

Negative voltages on the bus pin are limited to current through the internal 30 k resistor and series diode from V_S .

Thermal Overload

The NCV7380 is protected against thermal overloads. If the chip temperature exceeds the thermal shutdown threshold, the transmitter is switched off until thermal recovery. The receiver continues to work during thermal shutdown.

Undervoltage V_{CC}

The V_{CC} undervoltage lockout feature disables the transmitter until it is above the undervoltage lockout threshold to prevent undesirable bus traffic.

Recommendations for System Design

The goal of the LIN physical layer standard is to have a universal definition of the LIN system for plug and play solutions in LIN networks up to 20 kBd bus speeds.

In case of small and medium LIN networks, it's recommended to adjust the total network capacitance to at least 4.0 nF for good EMC and EMI behavior. This can be done by setting only the master node capacitance. The slave node capacitance should have a unit load of typically 220 pF for good EMC/EMI behavior.

In large networks with long bus lines and the maximum number of nodes, some system parameters can exceed the defined limits and the LIN system designer must intervene.

The whole capacitance of a slave node is not only the unit load capacitor itself. Additionally, there is the capacitance of wires and connectors, and the internal capacitance of the LIN transmitter. This internal capacitance is strongly dependent on the technology of the IC manufacturer and should be in the range of 30 pF to 150 pF. If the bus lines have a total length of nearly 40m, the total bus capacitance can exceed the LIN system limit of 10 nF.

A second parameter of concern is the integrated slave termination resistor tolerance. If most of the slave nodes have a slave termination resistance at the allowed maximum of 60 kΩ, the total network resistance is more than 700 Ω. Even if the total network capacitance is below or equal to the maximum specified value of 10 nF, the network time constant is higher than 7.0 μs.

This problem can be solved only by adjusting the master termination resistor to the required maximum network time constant of 5.0 μs (max).

NOTE: *The NCV7380 meets the requirements for implementation in RC-based slave nodes. The LIN Protocol Specification requires the deviation of the slave node clock to the master node clock after synchronization must not differ by more than ±2%.*

Setting the network time constant is necessary in large networks (primarily resistance) and also in small networks (primarily capacitance).

MIN/MAX SLOPE TIME CALCULATION

(In accordance to the LIN System Parameter Table)

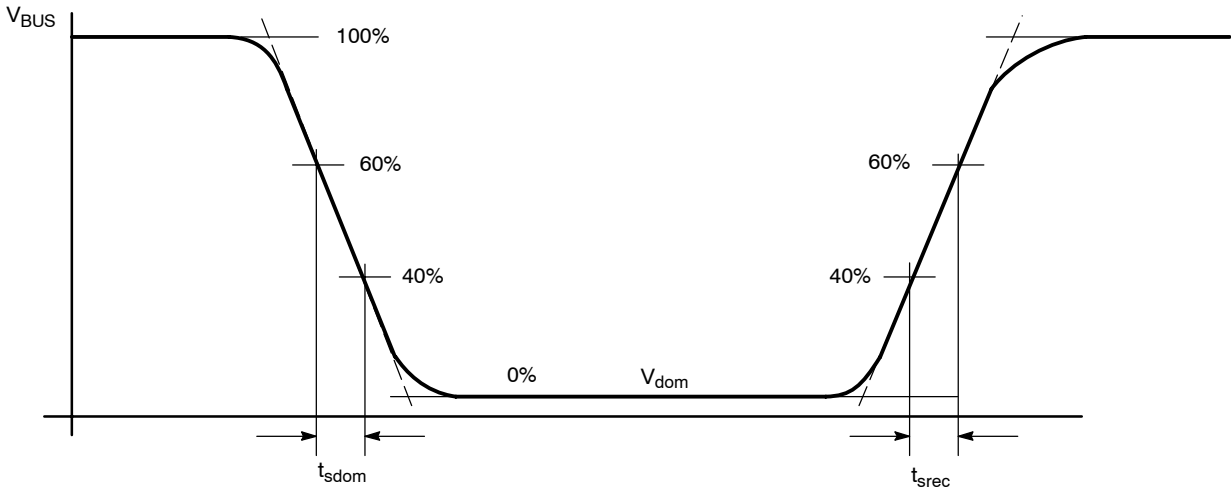


Figure 7. Slope Time and Slew Rate Calculation

(In accordance to LIN physical layer specification 1.3)

The slew rate of the bus voltage is measured between 40% and 60% of the output voltage swing (linear region). The output voltage swing is the difference between dominant and recessive bus voltage.

$$dV/dt = 0.2 * V_{swing} / (t_{40\%} - t_{60\%})$$

The slope time is the extension of the slew rate tangent until the upper and lower voltage swing limits:

$$t_{slope} = 5 * (t_{40\%} - t_{60\%})$$

The slope time of the recessive to dominant edge is directly determined by the slew rate control of the transmitter:

$$t_{slope} = V_{swing} / dV/dt$$

The dominant to recessive edge is influenced from the network time constant and the slew rate control, because it's a passive edge. In case of low battery voltages and high bus loads the rising edge is only determined by the network. If the rising edge slew rate exceeds the value of the dominant one, the slew rate control determines the rising edge.

NCV7380

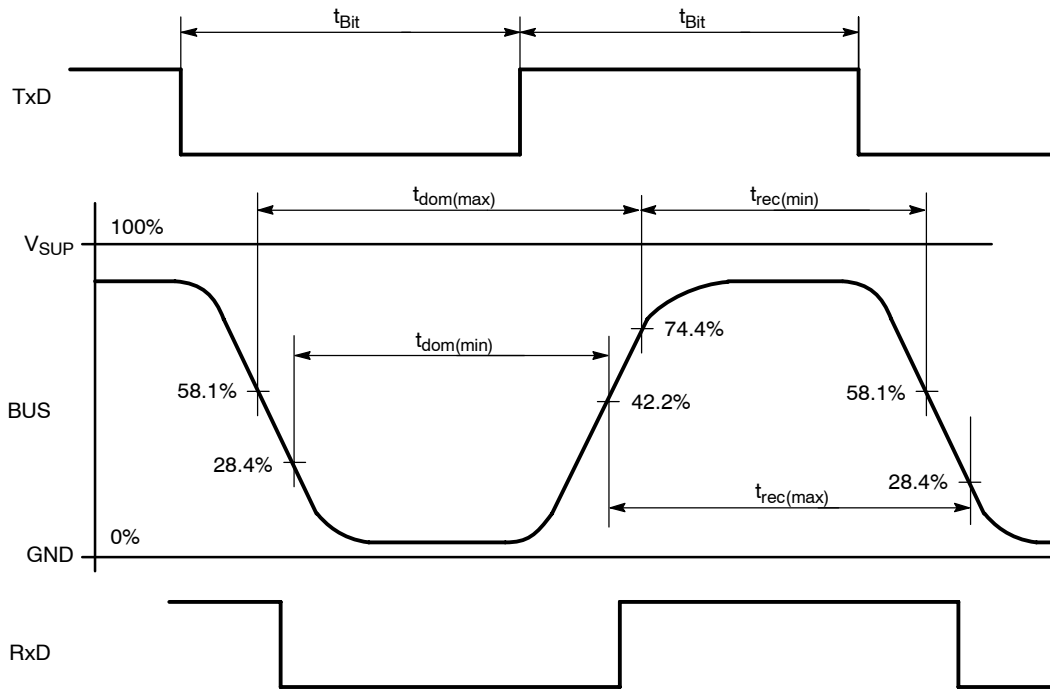


Figure 8. Duty Cycle Measurement and Calculation in Accordance to LIN Physical Layer Specification 2.0

Duty Cycle Calculation

With the timing parameters shown in Figure 8 two duty cycles, based on $t_{rec(min)}$ and $t_{rec(max)}$ can be calculated as follows:

$$D1^* = t_{rec(min)} / (2 \times t_{Bit})$$

$$D2^* = t_{rec(max)} / (2 \times t_{Bit})$$

For proper operation at 20 KBit/s (bit time is 50 μ s) the LIN driver has to fulfill the duty cycles specified in the AC characteristics for supply voltages of 7...18 V and the three defined standard loads.

Due to this simple definition there is no need to measure slew rates, slope times, transmitter delays and dominant

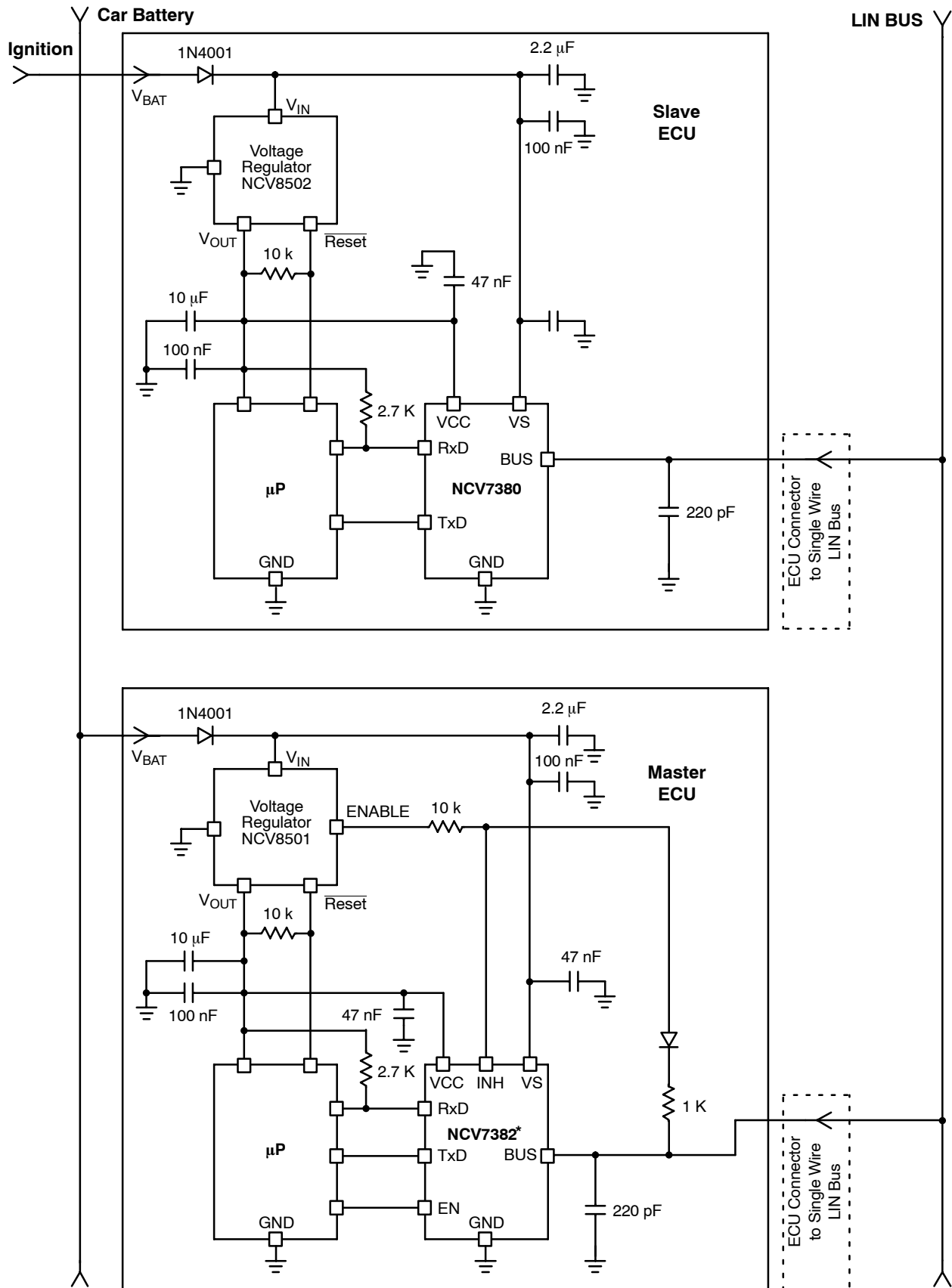
voltage levels as specified in the LIN physical layer specification 1.3.

The devices within the D1/D2 duty cycle range also operates in applications with reduced bus speed of 10.4 kBit/s or below.

In order to minimize EME, the slew rates of the transmitter can be reduced (by up to ≈ 2 times). Such devices have to fulfill the duty cycle definition D3/D4 in the LIN physical layer specification 2.0. Devices within this duty cycle range *cannot* operate in higher frequency 20 kBit/s applications.

*D1 and D2 are defined in the LIN protocol specification 2.0.

NCV7380



*The NCV7382 is a pin compatible transceiver with INH control.

Figure 9. Application Circuitry

NCV7380

ESD/EMC Remarks

General Remarks

Electronic semiconductor products are sensitive to Electro Static Discharge (ESD). Always observe ESD control procedures whenever handling semiconductor products.

ESD Test

The NCV7380 is tested according to MIL883D (Human Body Model).

EMC

The test on EMC impacts is done according to ISO 7637-1 for power supply pins and ISO 7637-3 for data and signal pins.

POWER SUPPLY PIN VS

Test Pulse	Condition	Duration
1	$t_1 = 5.0 \text{ s}/U_S = -100 \text{ V}/t_D = 2.0 \text{ ms}$	5000 Pulses
2	$t_1 = 0.5 \text{ s}/U_S = 100 \text{ V}/t_D = 0.05 \text{ ms}$	5000 Pulses
3a/b	$U_S = -150 \text{ V}/U_S = 100 \text{ V}$ Burst 100 ns/10 ms/90 ms Break	1 h
5	$R_i = 0.5 \text{ } \Omega, t_D = 400 \text{ ms}$ $t_r = 0.1 \text{ ms}/U_P + U_S = 40 \text{ V}$	10 Pulses Every 1 Min

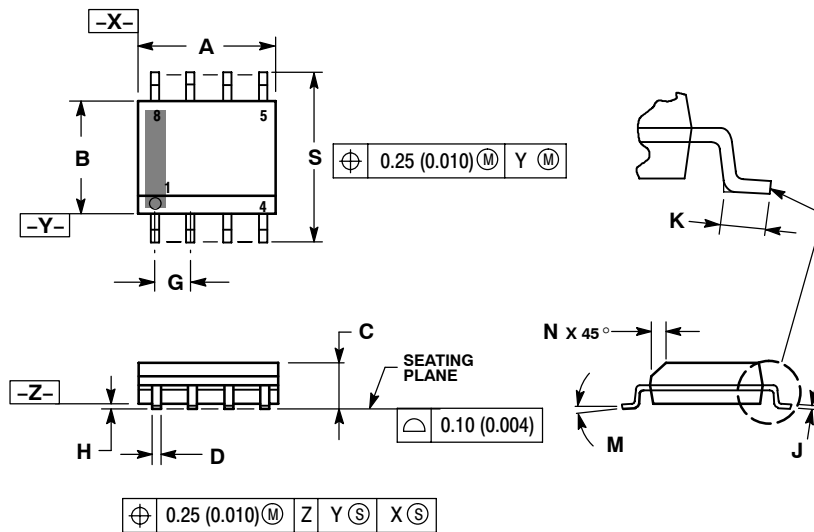
DATA AND SIGNAL PINS BUS

Test Pulse	Condition	Duration
1	$t_1 = 5.0 \text{ s}/U_S = -100 \text{ V}/t_D = 2.0 \text{ ms}$	1000 Pulses
2	$t_1 = 0.5 \text{ s}/U_S = 100 \text{ V}/t_D = 0.05 \text{ ms}$	1000 Pulses
3a/b	$U_S = -150 \text{ V}/U_S = 100 \text{ V}$ Burst 100 ns/10 ms/90 ms Break	1000 Burst

NCV7380

PACKAGE DIMENSIONS

SOIC-8 NB CASE 751-07 ISSUE AH

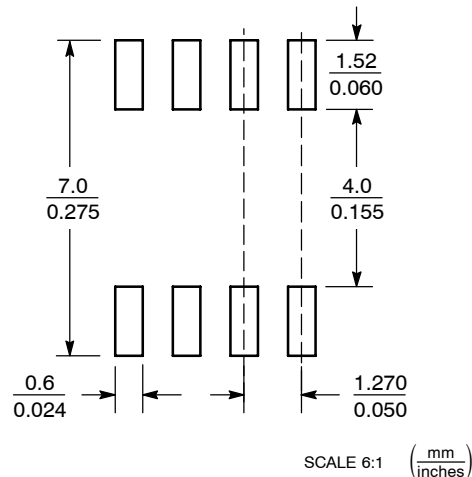


NOTES:

1. DIMENSIONING AND TOLERANCING PER ANSI Y14.5M, 1982.
2. CONTROLLING DIMENSION: MILLIMETER.
3. DIMENSION A AND B DO NOT INCLUDE MOLD PROTRUSION.
4. MAXIMUM MOLD PROTRUSION 0.15 (0.006) PER SIDE.
5. DIMENSION D DOES NOT INCLUDE DAMBAR PROTRUSION. ALLOWABLE DAMBAR PROTRUSION SHALL BE 0.127 (0.005) TOTAL IN EXCESS OF THE D DIMENSION AT MAXIMUM MATERIAL CONDITION.
6. 751-01 THRU 751-06 ARE OBSOLETE. NEW STANDARD IS 751-07.

DIM	MILLIMETERS		INCHES	
	MIN	MAX	MIN	MAX
A	4.80	5.00	0.189	0.197
B	3.80	4.00	0.150	0.157
C	1.35	1.75	0.053	0.069
D	0.33	0.51	0.013	0.020
G	1.27 BSC		0.050 BSC	
H	0.10	0.25	0.004	0.010
J	0.19	0.25	0.007	0.010
K	0.40	1.27	0.016	0.050
M	0 °	8 °	0 °	8 °
N	0.25	0.50	0.010	0.020
S	5.80	6.20	0.228	0.244

SOLDERING FOOTPRINT*



*For additional information on our Pb-Free strategy and soldering details, please download the ON Semiconductor Soldering and Mounting Techniques Reference Manual, SOLDERRM/D.

ON Semiconductor and are registered trademarks of Semiconductor Components Industries, LLC (SCILLC). SCILLC reserves the right to make changes without further notice to any products herein. SCILLC makes no warranty, representation or guarantee regarding the suitability of its products for any particular purpose, nor does SCILLC assume any liability arising out of the application or use of any product or circuit, and specifically disclaims any and all liability, including without limitation special, consequential or incidental damages. "Typical" parameters which may be provided in SCILLC data sheets and/or specifications can and do vary in different applications and actual performance may vary over time. All operating parameters, including "Typicals" must be validated for each customer application by customer's technical experts. SCILLC does not convey any license under its patent rights nor the rights of others. SCILLC products are not designed, intended, or authorized for use as components in systems intended for surgical implant into the body, or other applications intended to support or sustain life, or for any other application in which the failure of the SCILLC product could create a situation where personal injury or death may occur. Should Buyer purchase or use SCILLC products for any such unintended or unauthorized application, Buyer shall indemnify and hold SCILLC and its officers, employees, subsidiaries, affiliates, and distributors harmless against all claims, costs, damages, and expenses, and reasonable attorney fees arising out of, directly or indirectly, any claim of personal injury or death associated with such unintended or unauthorized use, even if such claim alleges that SCILLC was negligent regarding the design or manufacture of the part. SCILLC is an Equal Opportunity/Affirmative Action Employer. This literature is subject to all applicable copyright laws and is not for resale in any manner.

PUBLICATION ORDERING INFORMATION

LITERATURE FULFILLMENT:
 Literature Distribution Center for ON Semiconductor
 P.O. Box 5163, Denver, Colorado 80217 USA
Phone: 303-675-2175 or 800-344-3860 Toll Free USA/Canada
Fax: 303-675-2176 or 800-344-3867 Toll Free USA/Canada
Email: orderlit@onsemi.com

N. American Technical Support: 800-282-9855 Toll Free
 USA/Canada
Europe, Middle East and Africa Technical Support:
 Phone: 421 33 790 2910
Japan Customer Focus Center
 Phone: 81-3-5773-3850

ON Semiconductor Website: www.onsemi.com
Order Literature: <http://www.onsemi.com/orderlit>

For additional information, please contact your local Sales Representative