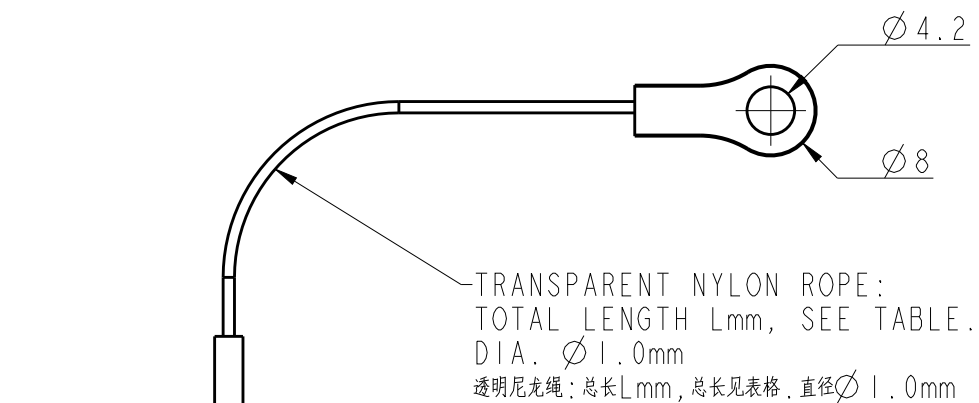


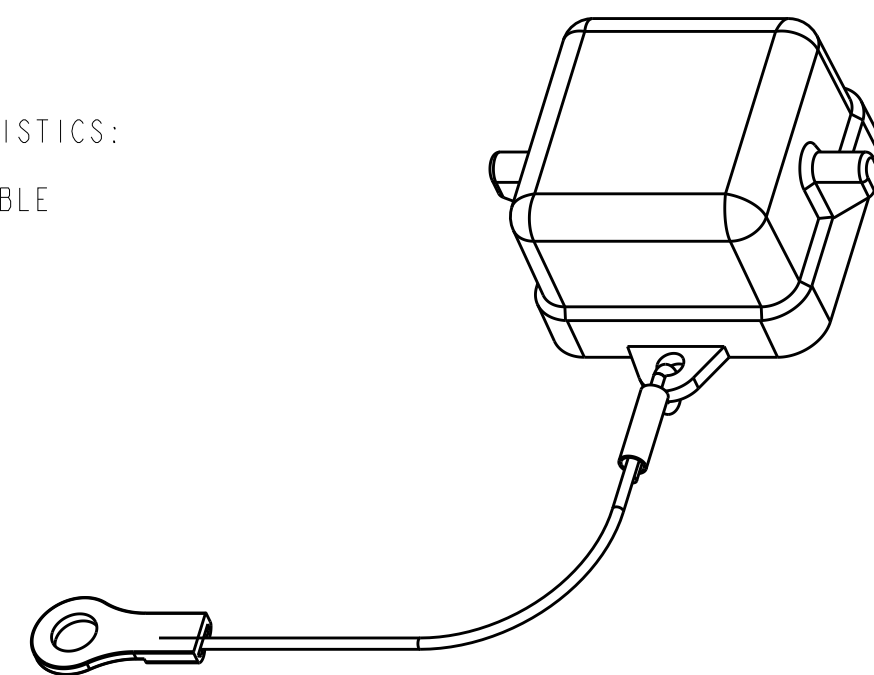
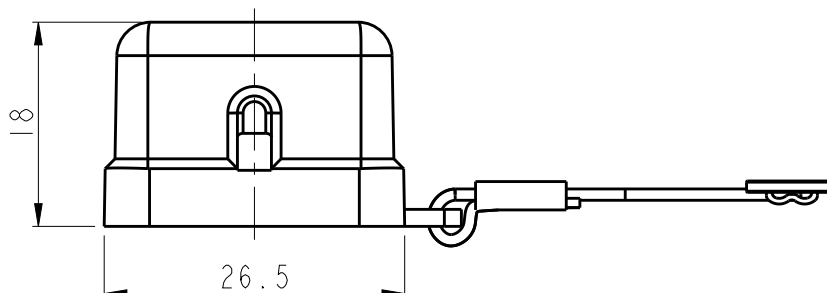
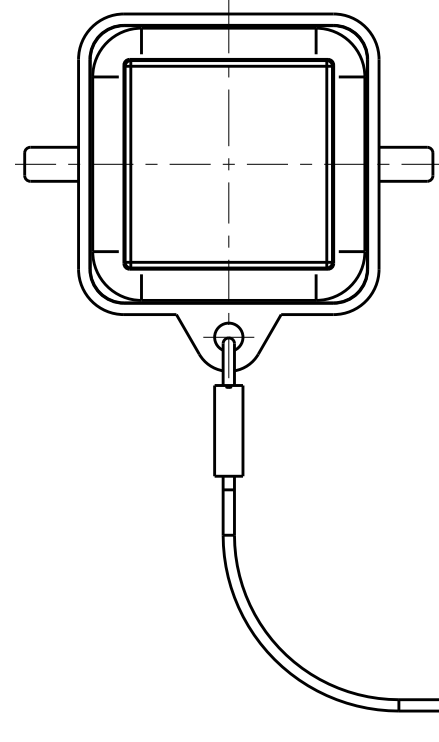
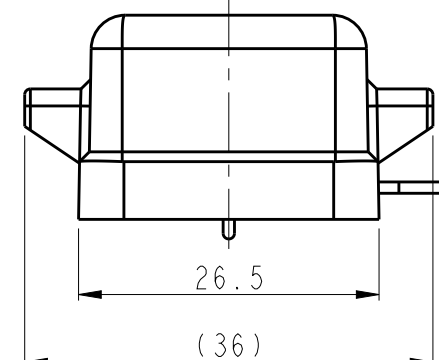
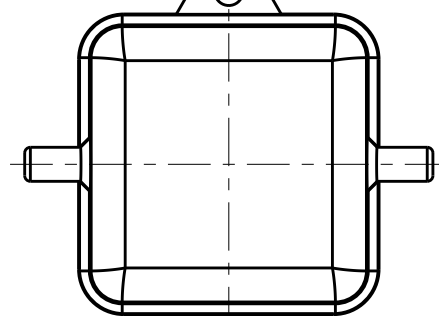
REVISIONS

P	LTR	DESCRIPTION	DATE	DWN	APVD
	A	INITIAL RELEASE	23SEP2015	DL	CW
	A1	ECR-16-002552	19FEB2016	DL	CW
	A2	ECR-17-010103	12JUL2017	CH	CW



NOTES:
1. TECHNICAL CHARACTERISTICS:
COVER MATERIAL: PC
COVER COLOR: SEE TABLE

注释:
1. 技术参数:
保护盖材质: PC
保护盖颜色: 见表格



T1010032100-000	H3A-KDBP-NY150	H3A HOUSING PLASTIC PROTECTION COVER, 2 EAR, SEALING, NYLON ROPE 150mm, WHITE H3A下壳塑料保护盖, 2耳, 带密封, 尼龙绳150mm, 白色	150
T1010032300-001	H3A-KDBP-G-NY110	H3A HOUSING PLASTIC PROTECTION COVER, 2 EAR, SEALING, NYLON ROPE 110mm, GREY H3A下壳塑料保护盖, 2耳, 带密封, 尼龙绳110mm, 灰色	110
T1010032300-000	H3A-KDBP-G-NY150	H3A HOUSING PLASTIC PROTECTION COVER, 2 EAR, SEALING, NYLON ROPE 150mm, GREY H3A下壳塑料保护盖, 2耳, 带密封, 尼龙绳150mm, 灰色	150
PART NUMBER 料号	PART DESCRIPTION 描述		L (mm) 绳子长度

THIS DRAWING IS A CONTROLLED DOCUMENT.

DWN	DAVID LI	23SEP2015	 TE Connectivity NAME H3A-KDBP-G-NYXXX/H3A-KDBP-NYXXX
CHK	CHRIS WANG	23SEP2015	
APVD	XU XIANG	23SEP2015	
PRODUCT SPEC			
APPLICATION SPEC			
WEIGHT			
Customer Drawing			SCALE 3:2 SHEET 1 OF 1 REV A2

DIMENSIONS:	TOLERANCES UNLESS OTHERWISE SPECIFIED:
mm	
0 PLC	±-
1 PLC	±-
2 PLC	±-
3 PLC	±-
4 PLC	±-
ANGLES	±-
MATERIAL	FINISH
-	-
-	-