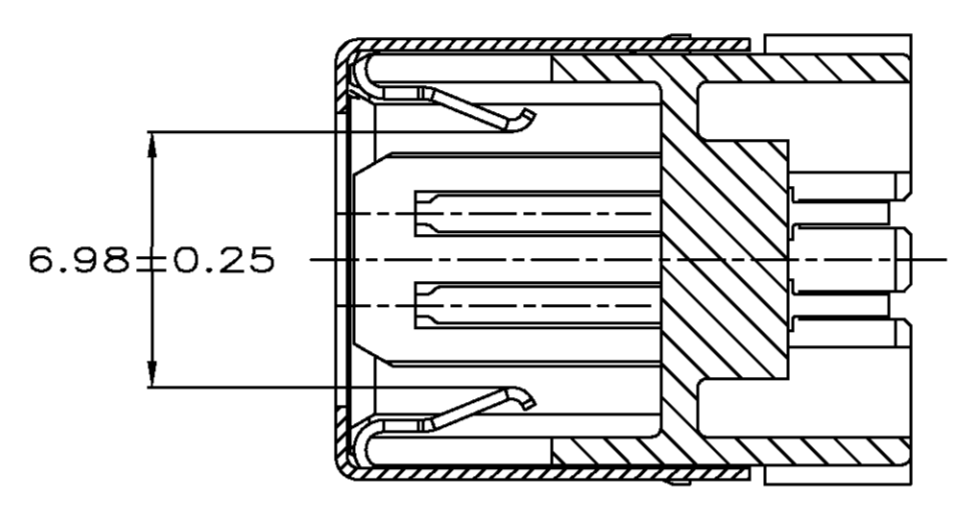
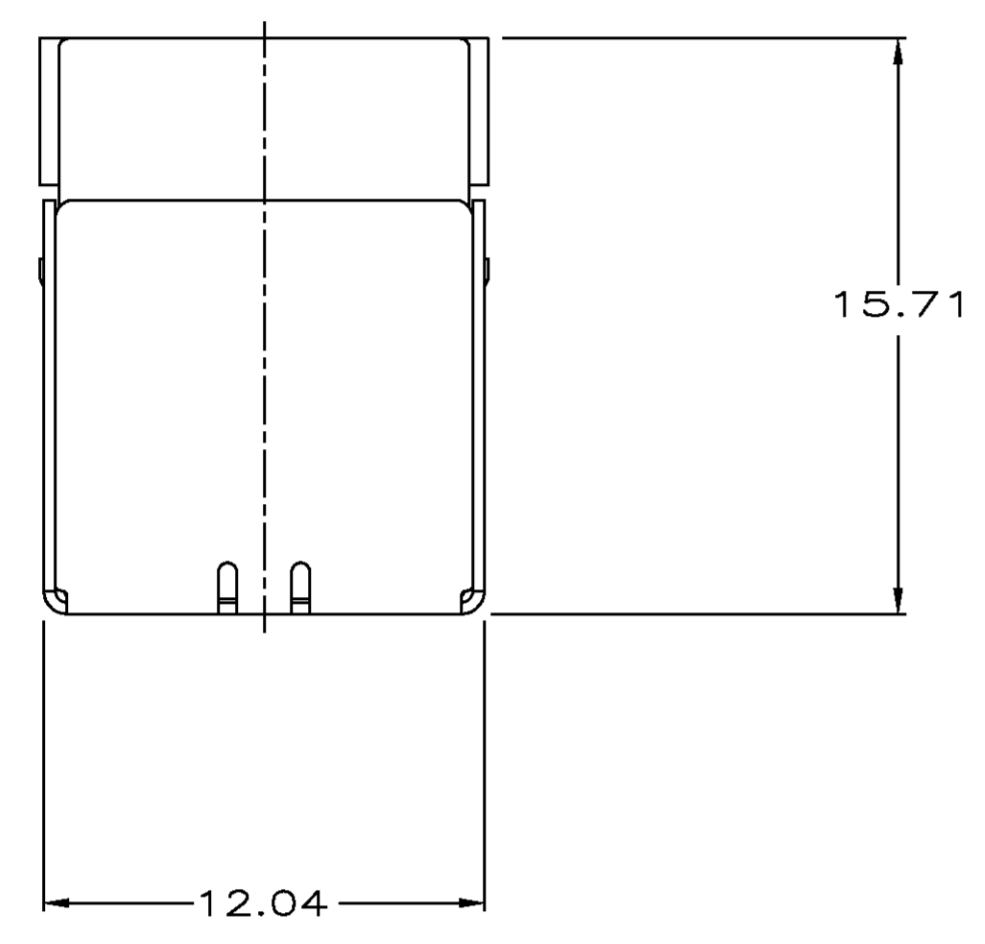
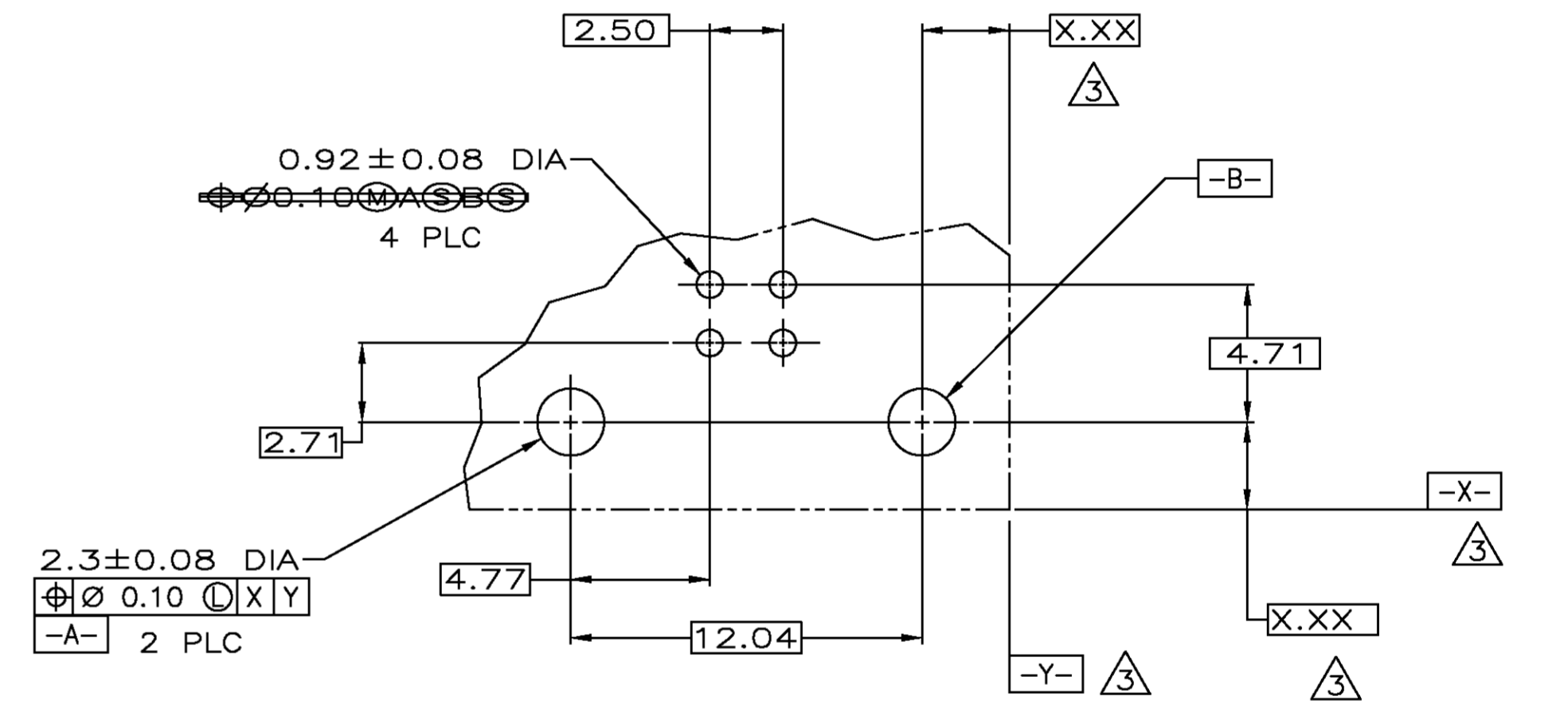
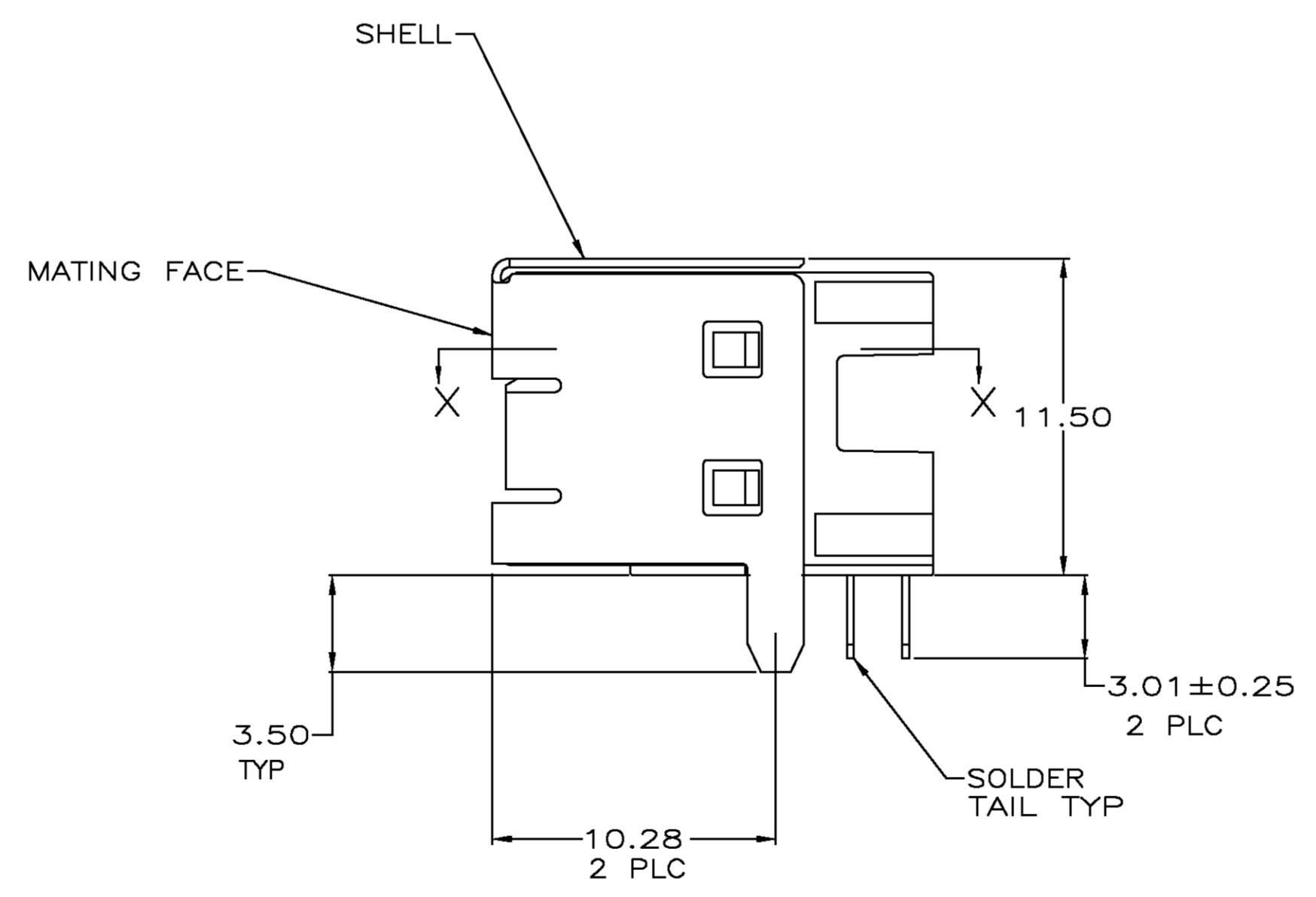
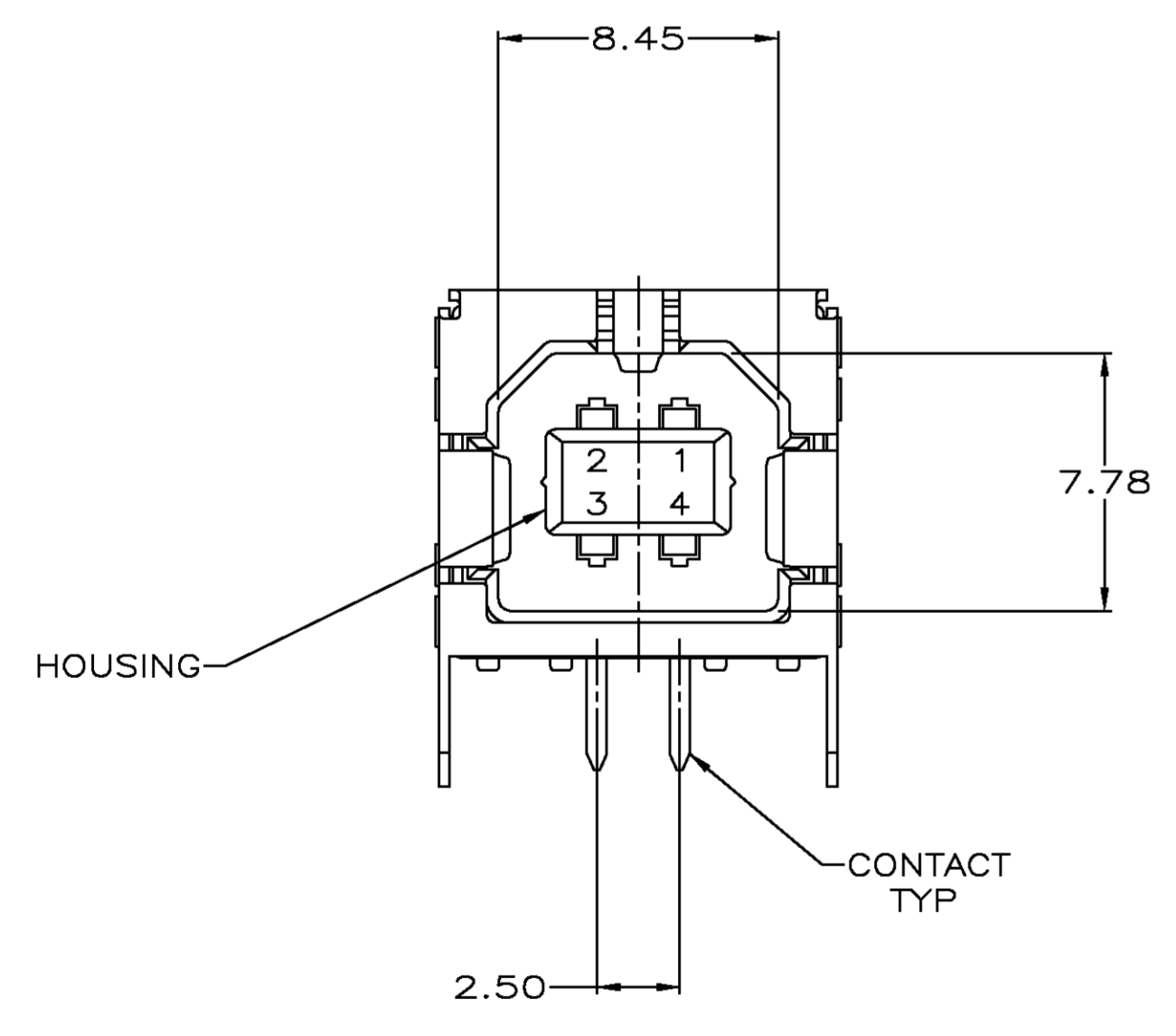


LOC	DIST	REVISIONS			
P	U/R	DESCRIPTION	DATE	DRN	APVD
C1		REVISED ECR-08-009268	11APR08	A.Z.	S.Y.
C2		REVISED PER ECO-09-021826	27JAN2019	KK	HMR



SECTION X-X



RECOMMENDED PC BOARD MOUNTING DIMENSIONS

- △ CONTACTS: COPPER ALLOY.  
SHELL: COPPER ALLOY  
HOUSING: UL 94V-0 RATED THERMOPLASTIC, COLOR: SEE TABLE.
- △ CONTACTS: 0.076  $\mu$ m MINIMUM GOLD OVER  
0.76  $\mu$ m MINIMUM PALLADIUM NICKEL ON MATING AREA.  
3.80  $\mu$ m MINIMUM MATTE TIN ON SOLDER TAILS  
ALL OVER 1.27  $\mu$ m MINIMUM NICKEL.  
SHELL: 2~5  $\mu$ m MINIMUM BRIGHT TIN.
- △ DATUM AND BASIC DIMENSIONS ESTABLISHED BY CUSTOMER.
- △ RECOMMENDED PC BOARD THICKNESS 1.57.
- △ CONTACTS: 0.076  $\mu$ m MINIMUM GOLD OVER  
0.76  $\mu$ m MINIMUM PALLADIUM NICKEL ON MATING AREA.  
3.80  $\mu$ m MINIMUM MATTE TIN ON SOLDER TAILS  
ALL OVER 1.27  $\mu$ m MINIMUM NICKEL.  
SHELL: 1.27  $\mu$ m MINIMUM NICKEL ALL OVER, TIN DIPPED ON TAILS.
- 6 RECOMMEND:  
MATING FORCE: 35N MAX.  
UNMATING FORCE: 13N MIN.  
RECOMMENDED MATING PLUG SHOULD MEET USB2.0 STANDARD.

7 △ OBSOLETE PARTS: OBSOLETE CIS STREAMLINING PER D.RENAUD/D.SINISI

△ OBSOLETE	YES	△	BLACK	292317-4
	NO	△	BLACK	292317-3
SUPERSEDED BY 292317-4	YES	△	BLACK	292317-1
	HIGH TEMPERATURE COMPATIBLE	FINISH	HOUSING COLOR	PART NUMBER

DIMENSIONS:		OTHERWISE UNLESS OTHERWISE SPECIFIED:		DRN	20FEB04	Tyco Electronics Corporation	
mm	0 PLC	≠	≠	J. JIANG	20FEB04	Shanghai, P.R.China, 200233	
∅	1 PLC	≠	≠	S. YAO	20FEB04	Tyco Electronics	
	2 PLC	≠	≠	APVD	20FEB04	NAME	
	3 PLC	≠	≠	T. SASAKI	20FEB04	RECEPTACLE ASSEMBLY, RIGHT ANGLE, 4 POSTIONS THRU-HOLE, TYPE B, UNIVERSAL SERIAL BUS LEAD FREE VERSION	
	4 PLC	≠	≠	APPLICATION SPEC		SIZE	CAGE CODE
	ANGLES	≠	≠	WEIGHT		A1	00779
MATERIAL	FINISH	WEIGHT				DRAWING NO	
△	SEE TABLE					C=292317	
						SCALE	SHEET
						5:1	1 OF 1
							REV
							C2