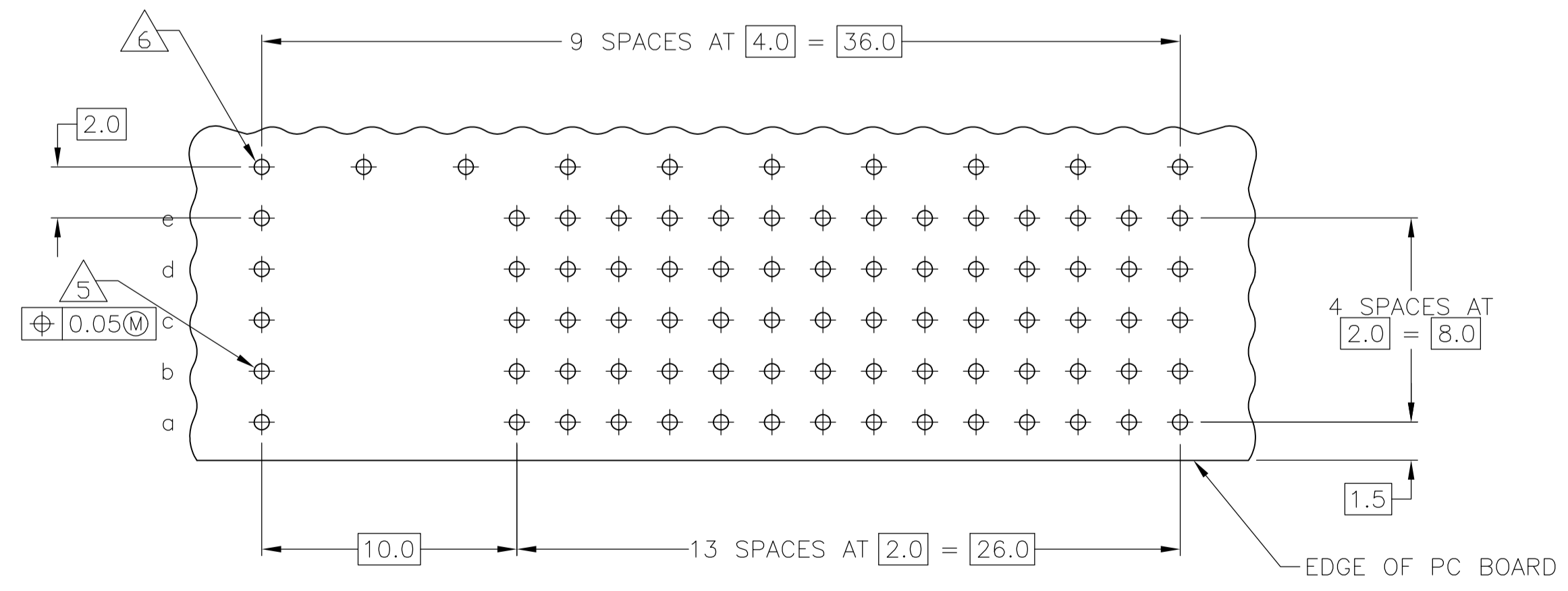
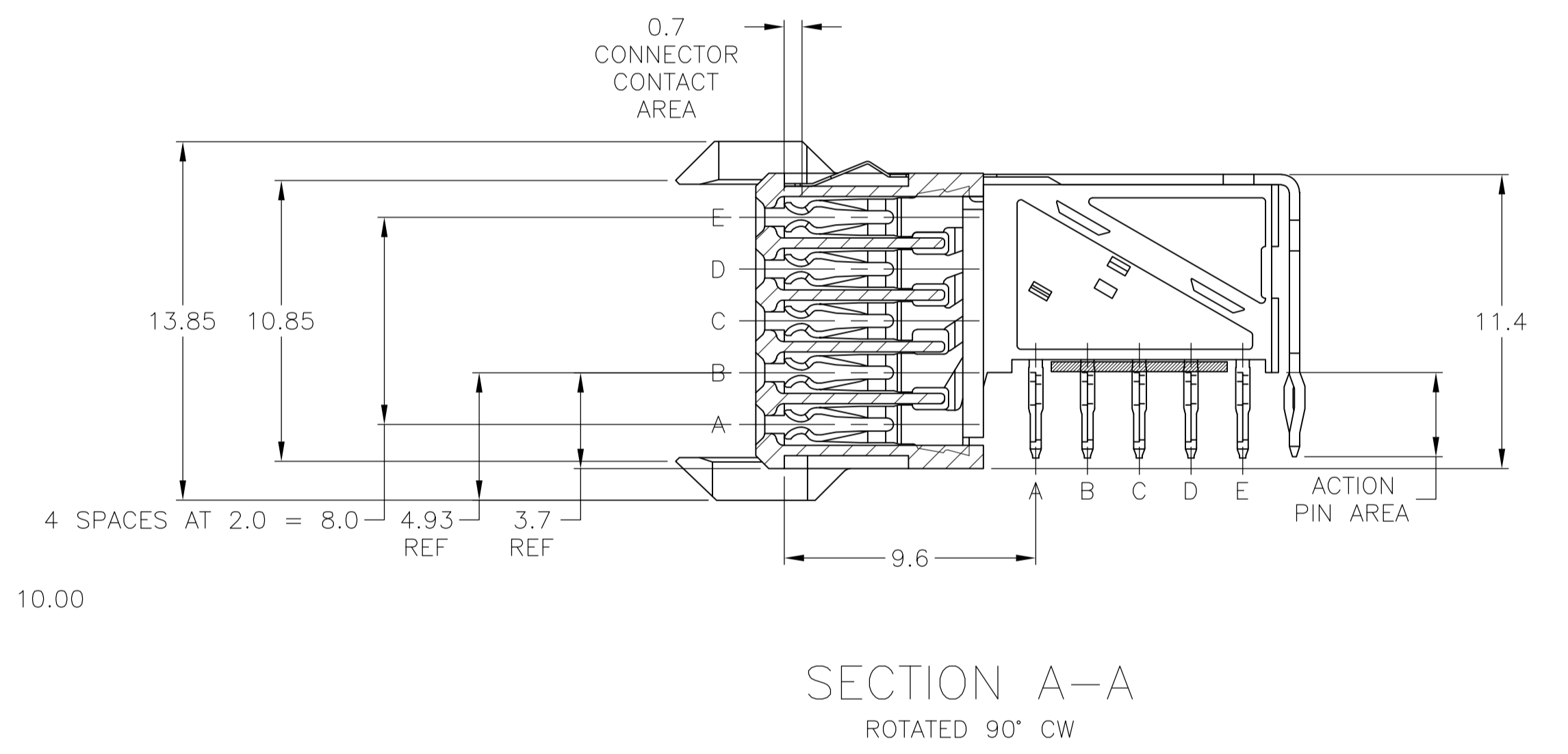
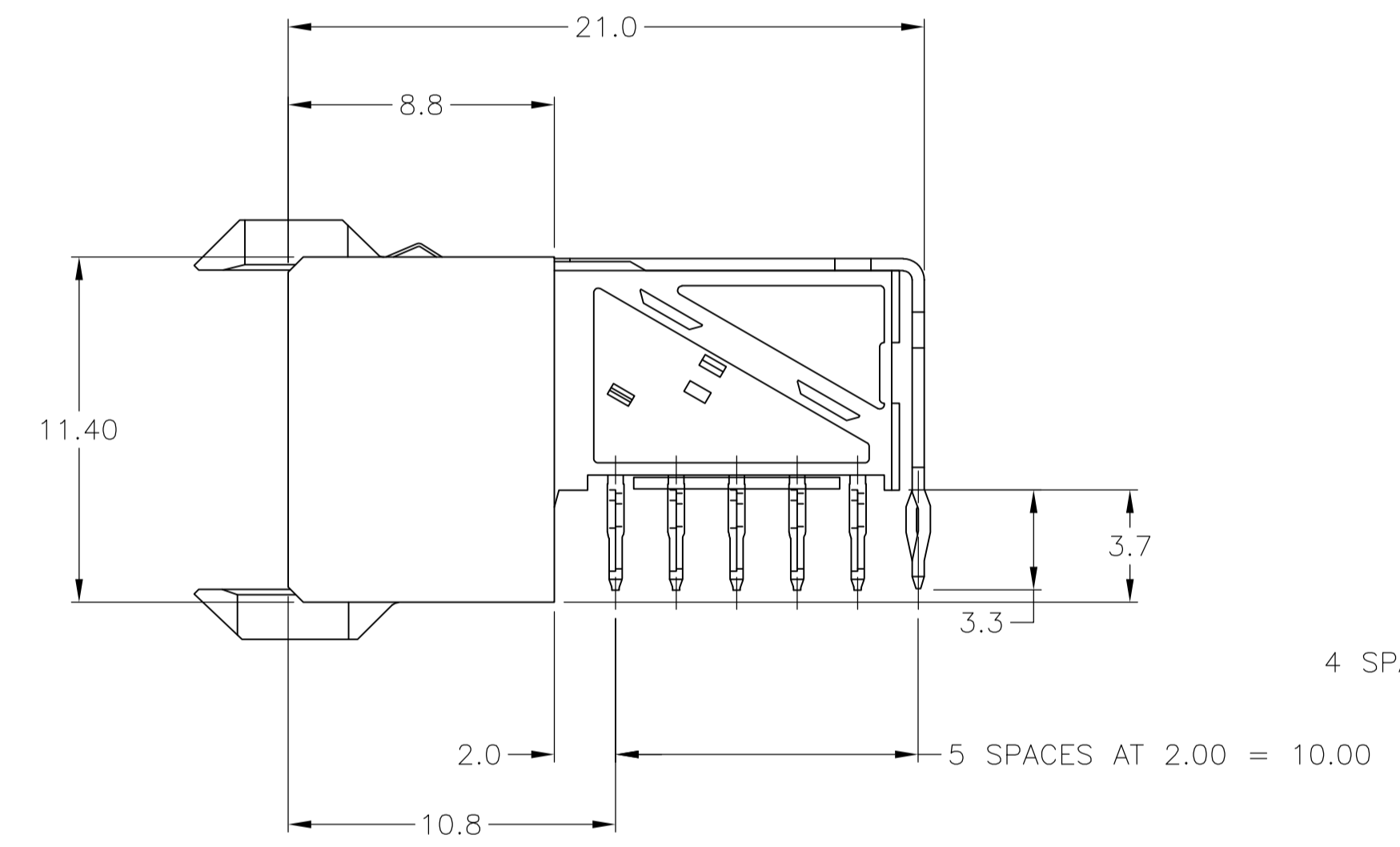
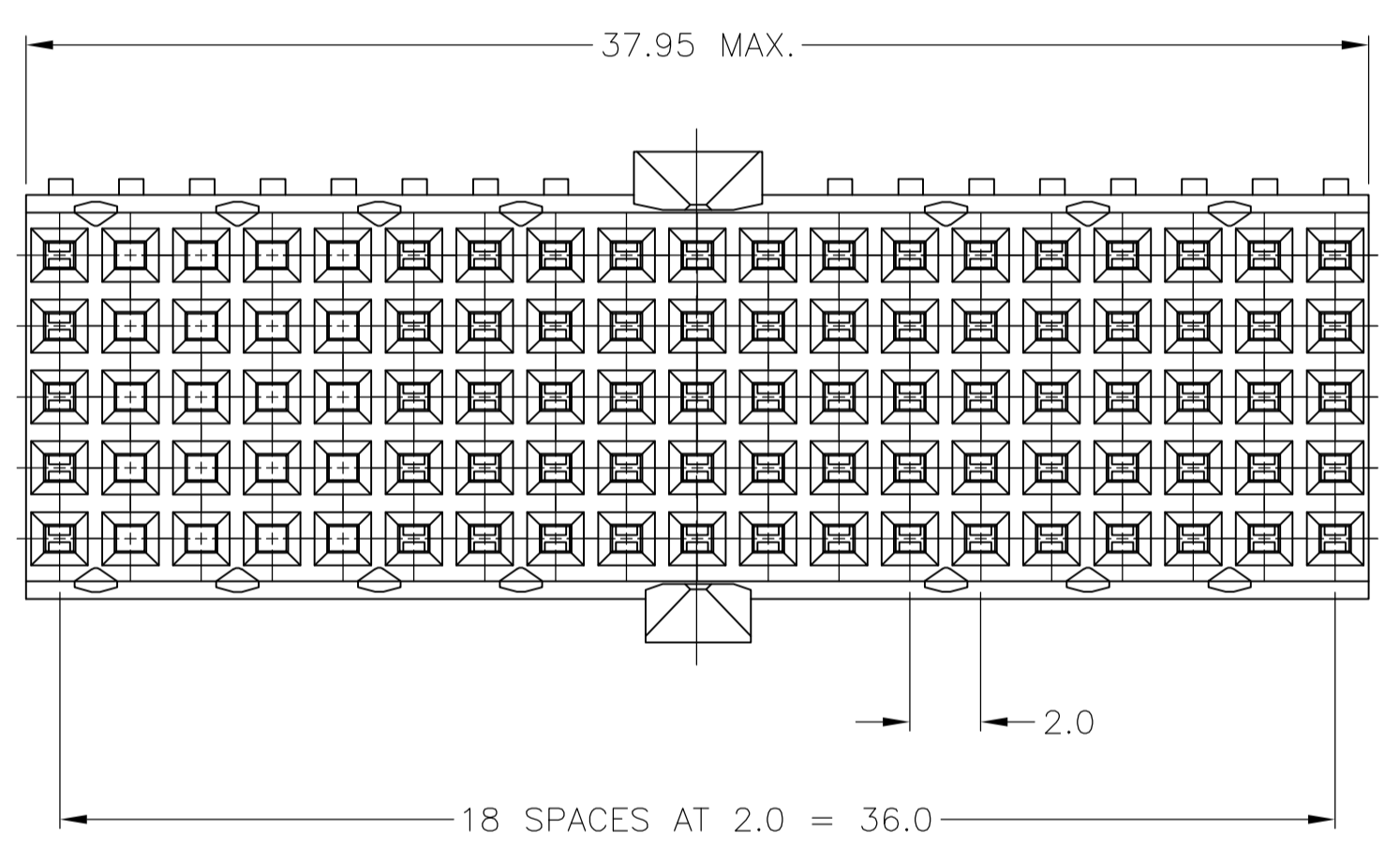
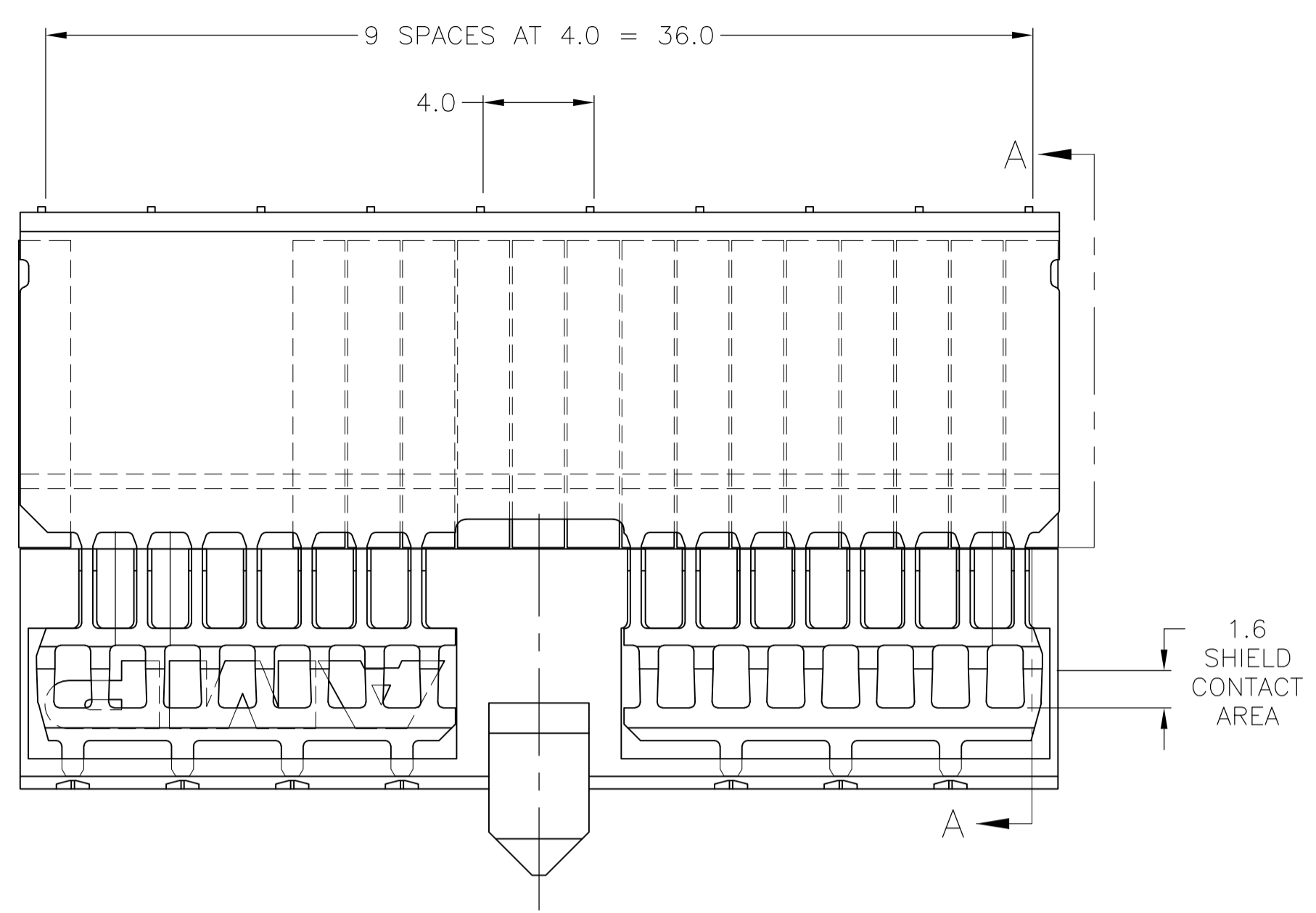


LOC		DIST		REVISIONS			
F	LTR	DESCRIPTION	DATE	DMN	APVD		
O		REV PER EC 0512-0319-04	01AUG05	BC	GS		
A		ECR-10-018652	10SEP10	SW	MQW		
B		ECO-11-024491	13DEC11	SY	MQW		



RECOMMENDED PC BOARD LAYOUT
 COMPONENT SIDE

- 1 MATERIAL:
 CONTACT: PHOSPHOR BRONZE.
 HOUSING: GLASS-FILLED POLYESTER.
- 2 GENERAL PLATING SPECIFICATION: UNDERPLATING
 (ENTIRE CONTACT): 1.27µm MIN NICKEL AND ACTION
 PIN: 0.5µm MIN TIN.
 FOR PLATING OF MATING SURFACES SEE APPLICABLE
 SPECIFICATION REFERENCE FOR EACH DASH NUMBER.
- 3 CONFORMS TO ALL TESTING ACCORDING TO IEC 61076-4-101
 PERFORMANCE LEVEL 2.
- 4 PART NUMBER AND DATE CODE MARKED LOWEST LEVEL OF PACKAGING.
- 5 PLATED THROUGH HOLES AT 2mm SQUARE GRID, 75 HOLES.
 PC BOARD HOLES ARE AS FOLLOWS:
 DRILLED HOLE: 0.700±0.025.
 FINISHED HOLE: 0.55-0.65.
 COPPER THICKNESS: 0.025-0.050.
 TIN THICKNESS: 0.004-0.010 (OPTIONAL).
- 6 10 PLATED THROUGH HOLES FOR UPPER SHIELD, ROW F.
- 7 SHIELD MOUNTED TO CONNECTOR WITH ADHESIVE.

6645021-1
 PART NUMBER

THIS DRAWING IS A CONTROLLED DOCUMENT.		DIN B CARBO 01AUG05	Tyco Electronics Corporation Harrisburg, Pa 17105-3608
DIMENSIONS: mm		CIK G SKIPPER 01AUG05	
TOLERANCES UNLESS OTHERWISE SPECIFIED:		APVD G SKIPPER 01AUG05	NAME
0-PLC ±		RECEPTACLE ASSEMBLY, Z-PACK 2mm HM, TYPE A/B, PRE-SHIELDED, 75 POSITION	
1-PLC ±		APPLICATION SPEC	
2-PLC ±		SIZE CASE CODE DRAWING NO	
3-PLC ±		A1 00779 C=6645021	
4-PLC ±		RESTRICTED TO	
ANGLES ±		WEIGHT	
FINISH		CUSTOMER DRAWING	
SCALE 5:1		SHEET 1 OF 1	