

4

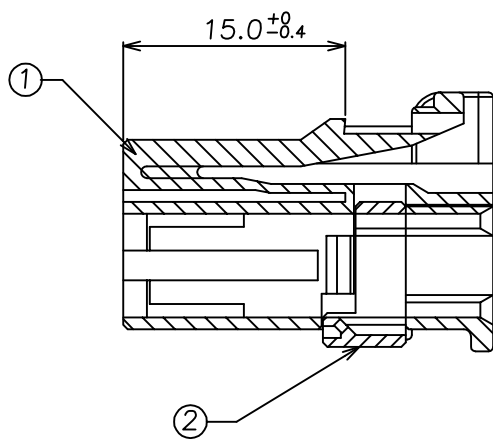
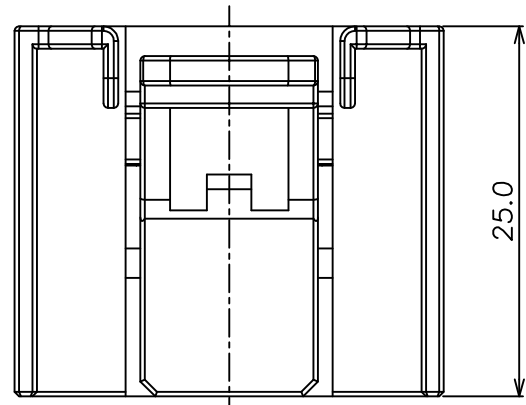
3

2

1

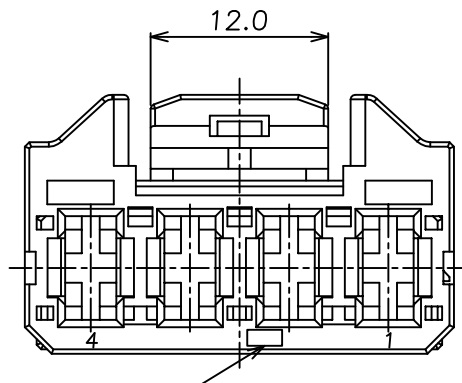
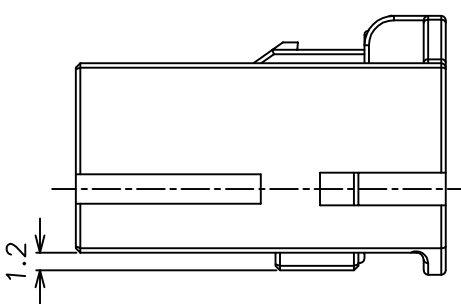
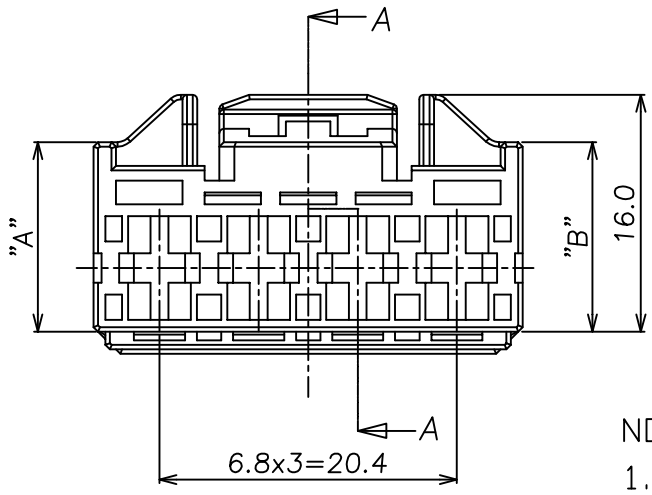
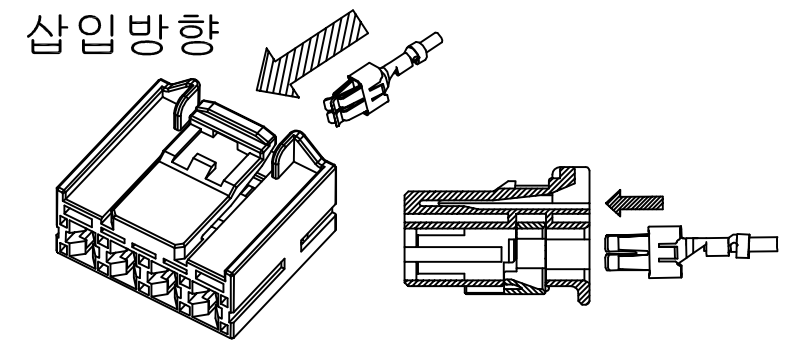
THIS DRAWING IS UNPUBLISHED. RELEASED FOR PUBLICATION
 © COPYRIGHT BY TYCO ELECTRONICS CORPORATION. ALL RIGHTS RESERVED.

LOC	DIST	REVISIONS					
		P	LTR	DESCRIPTION	DATE	DWN	APVD
DS	-		B	REVISED (ECR-08-015344)	29.MAY.'08	KT	HG
			B1	REVISED (ECR-09-019350)	31.AUG.'09	KT	HG
			B2	REVISED (ECR-12-019821)	15.NOV.'12	JM	HG



(TABLE 1.)

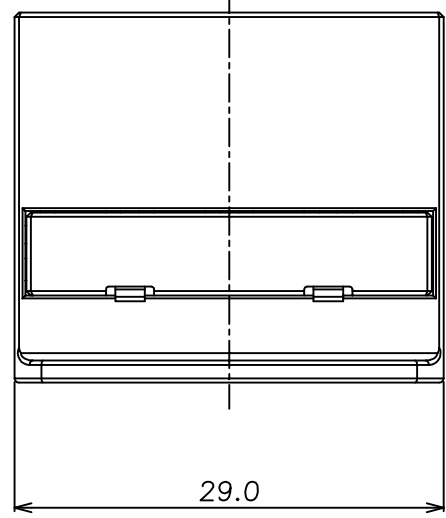
-3	12.8	13.8
-2	13.8	12.8
-1	12.8	12.8
P/N	DIM "A"	DIM "B"



- NOTES;
1. RETAINER SHOULD BE SET TO THE PRE-ASSEMBLY POSITION WITHIN THE PLUG HOUSING WHEN SHIPPED TO THE CUSTOMER
 2. THE RETENTION LATCH OF THE RETAINER MUST BE OUT SIDE OF PLUG HOUSING WHEN PRE-ASSEMBLY
 3. RETAINER RETENTION FORCE FROM HOUSING; 20N MIN.
 4. CODING IS AS FOLLOWS; SEE TABLE 1.
 5. APPLIED CONTACT P/N:
S. P. T. - 927840-2, 927831-2, 927837-2, 927829-2,
964203-1, 964204-1

ASS'Y P/N	936444-3	936444-2	936444-1

NO.	COLOR	MATERIAL	DESCRIPTION	QTY		
2	NATURAL	PBT	DBL HSG	1	1	1
1	GRAY	PBT	PLUG HSG	1		
	BLACK	PBT	PLUG HSG		1	
	NATURAL	PBT	PLUG HSG			1



THIS DRAWING IS A CONTROLLED DOCUMENT FOR TYCO ELECTRONICS CORPORATION
 IT IS SUBJECT TO CHANGE AND THE CONTROLLING ENGINEERING ORGANIZATION
 SHOULD BE CONTACTED FOR THE LATEST REVISION.

DIMENSIONS: MM	TOLERANCES UNLESS OTHERWISE SPECIFIED: 0 <XX<10 ± 0.2 10 <XX<30 ± 0.25 30 <XX ± 0.3 ANGLES ± 3'
MATERIAL SEE TABLE	FINISH

DWN JM JEON
 CHK JW JUNG
 APVD HG CHO
 PRODUCT SPEC -
 APPLICATION SPEC -
 WEIGHT -

TE TE Connectivity

NAME
SPT 4P PLUG ASSEMBLY

SIZE A3 CAGE CODE 00779 DRAWING NO C-936444 RESTRICTED TO -

CUSTOMER DRAWING SCALE 2/1 SHEET 1 OF 1 REV B2