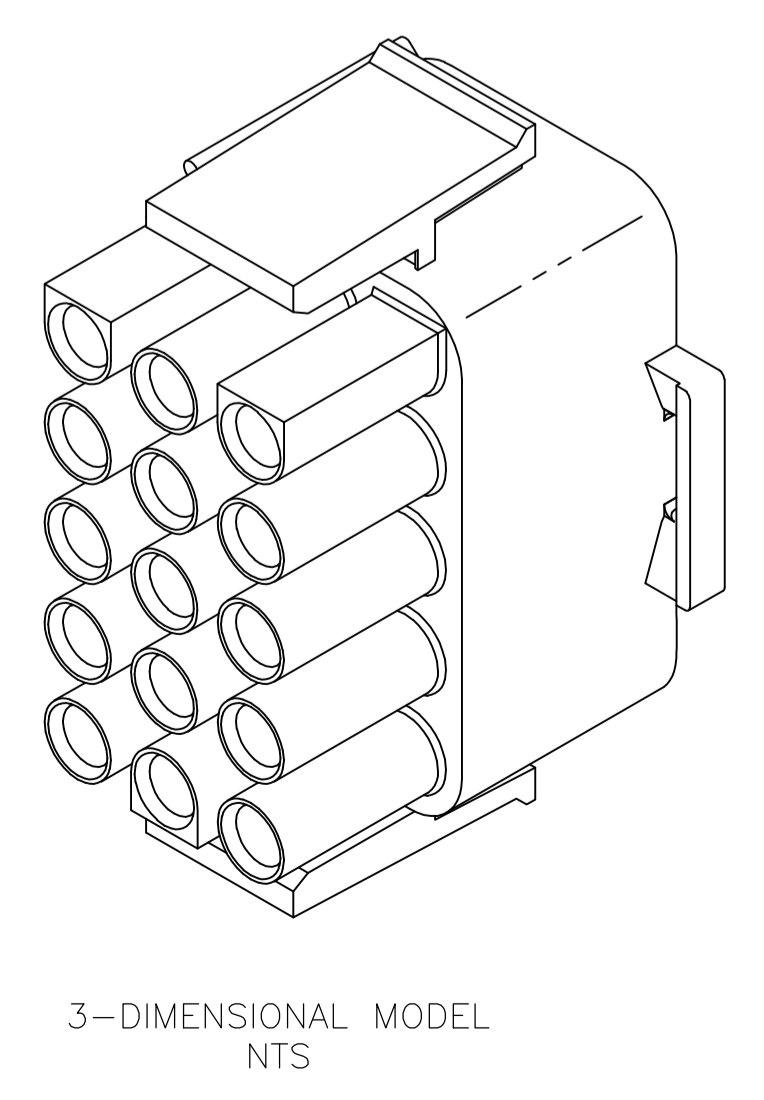
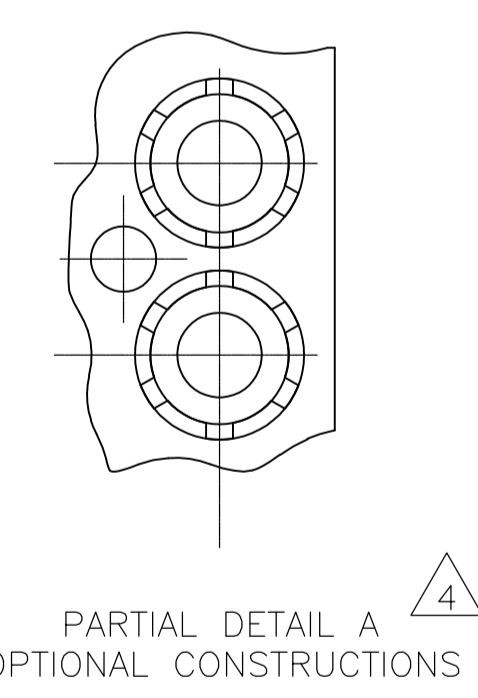
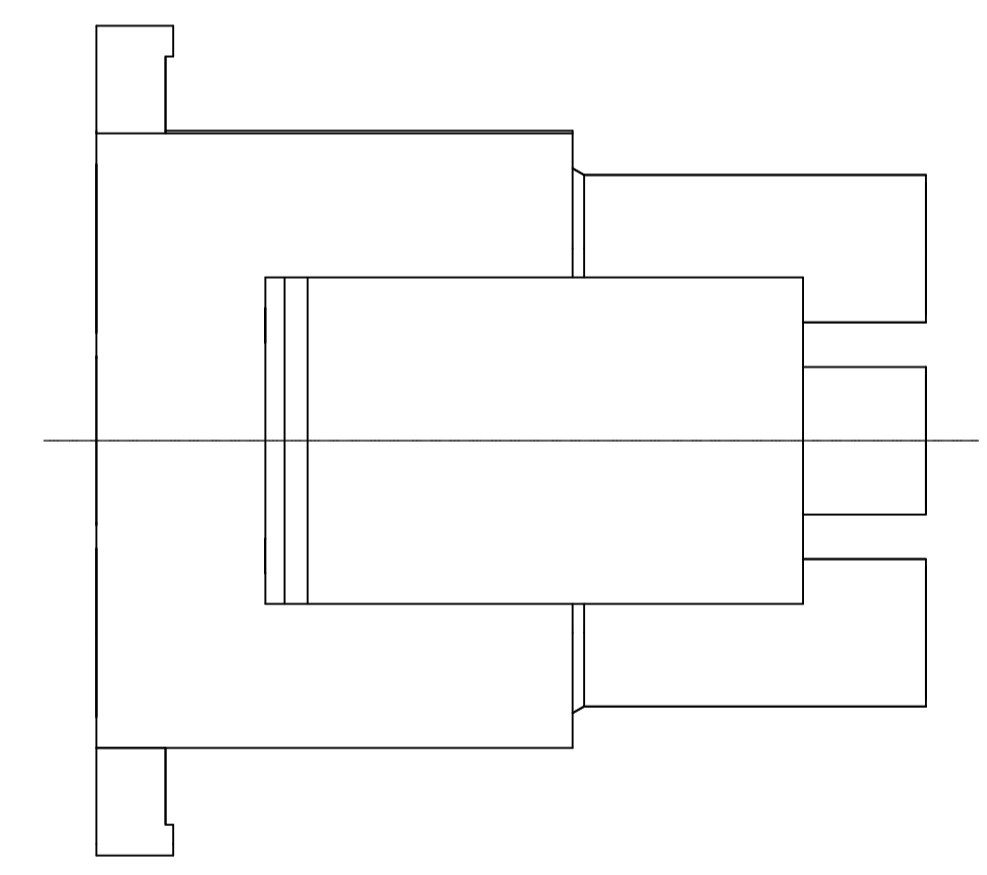
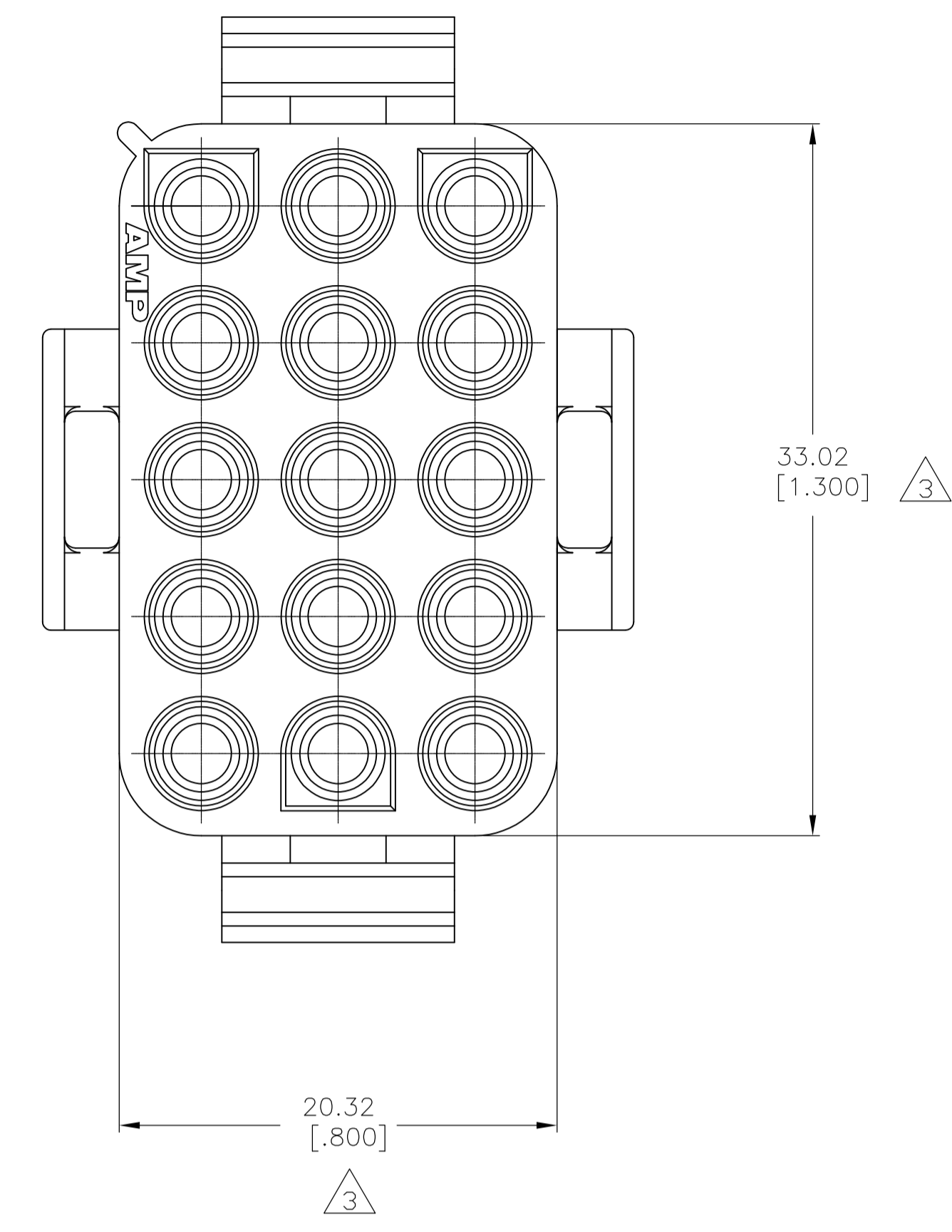
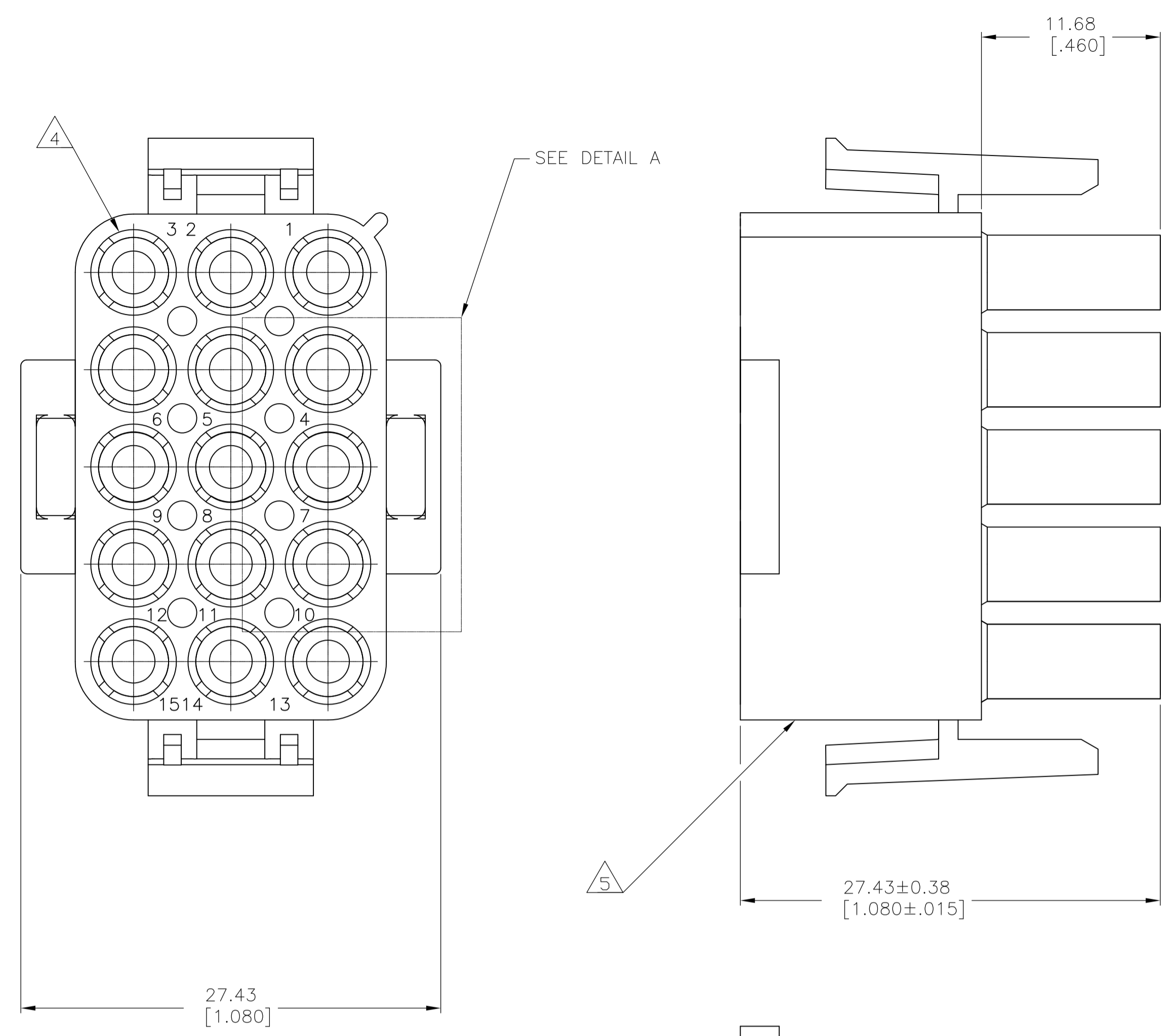


LOC		DIST		REVISIONS			
P	LTR	DESCRIPTION	DATE	DMN	APVD		
AM3	REVISED PER	ECO-12-003860	09MAR12	JR	TM		



- MATES WITH APPROPRIATE UNIVERSAL MATE-N-LOK CAP OR HEADER.
  - SMALL NICKS ARE PERMITTED ON THE CIRCUIT TOWERS WHICH COULD INCREASE THE INITIAL HOUSING MATING FORCE BY UP TO 4.4 NEWTONS [1.0 LBS]. NO INDIVIDUAL NICKED TOWER SHALL INCREASE THIS FORCE BY OVER 2.2 NEWTONS [.5 LBS].
- △3 DIMENSION INDICATED IS AS MOLDED. ADDITIONAL GROWTH DUE TO SUBSEQUENT MOISTURE ABSORPTION MAY OCCUR.
- △4 FOUR RIBS EQUALLY SPACED, NO SPECIFIC ORIENTATION. OR SIX RIBS EQUALLY SPACED, NO SPECIFIC ORIENTATION, OPTIONAL.
- △5 UNDERWRITERS RECOGNIZED COMPONENT LOGO AND CSA CERTIFICATION LOGO TO BE LOCATED ONCE EACH ON SIDE OF HOUSING.
- △6 OBSOLETE PARTS: OBSOLETE CIS STREAMLINING PER D.RENAUD/D.SINISI

Color	Part Number
BLACK	1-480710-9
GRAY	1-480710-8
BLUE	1-480710-6
GREEN	1-480710-5
YELLOW	1-480710-4
ORANGE	1-480710-3
RED	1-480710-2
BROWN	1-480710-1
NATURAL	1-480710-0
COLOR	PART NUMBER

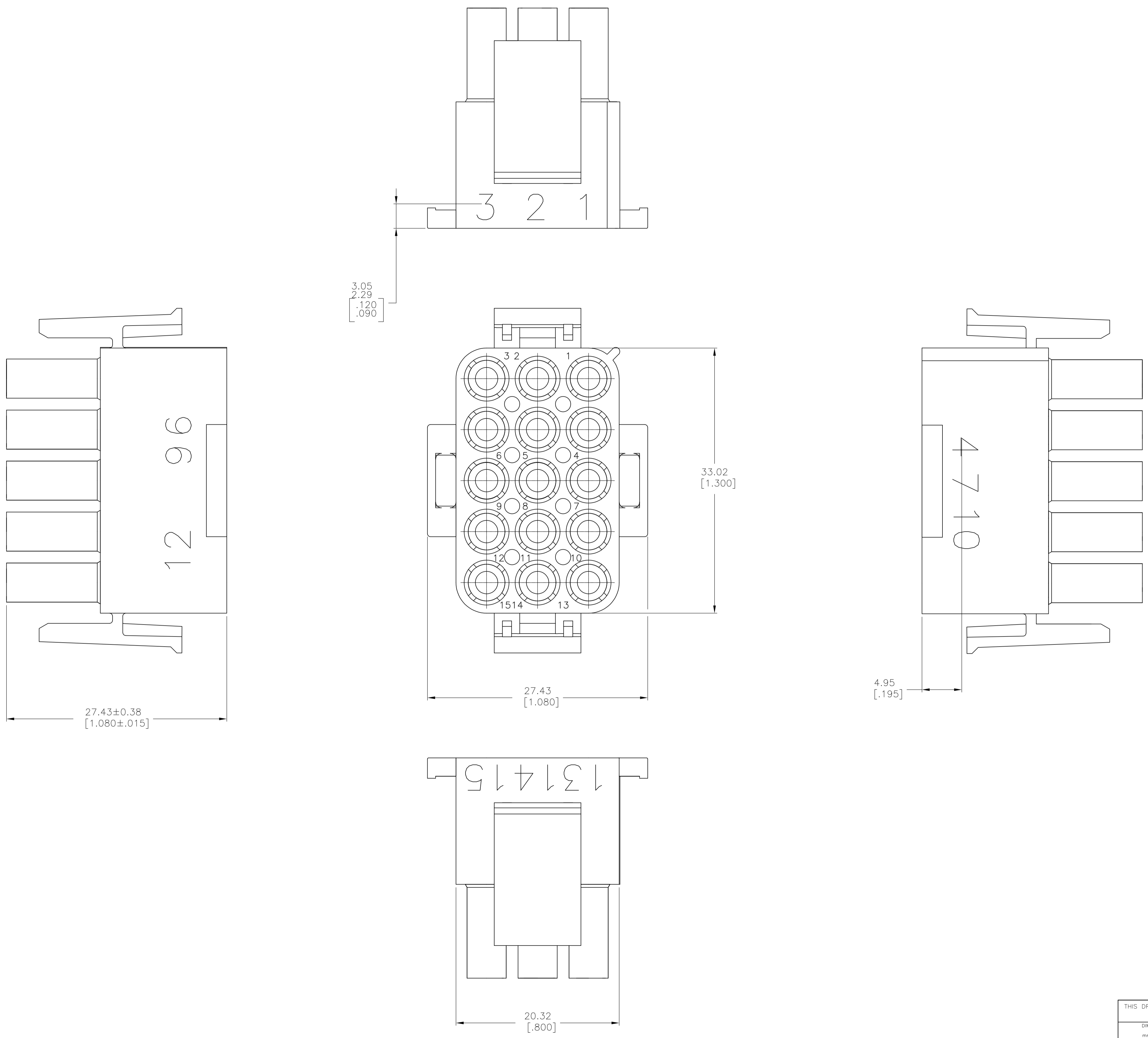
△6 OBSOLETE

△6 SUPERSEDED BY 1-480710-0

△6 OBSOLETE

THIS DRAWING IS A CONTROLLED DOCUMENT.		DIN K. WHITAKER 02SEP04		TE Connectivity	
DIMENSIONS: mm [INCHES]		TOLERANCES UNLESS OTHERWISE SPECIFIED:		NAME	
0. PLC	± -	1. PLC	± -	PLUG, 15 CIRCUIT, UNIVERSAL MATE-N-LOK	
1. PLC	± -	2. PLC	± 0.13 [.005]	APPLICATION SPEC	
2. PLC	± -	3. PLC	± -	RESTRICTED TO	
3. PLC	± -	4. PLC	± -	A1 00779C=480710	
4. PLC	± -	ANGLES	± 0°30'	SCALE 4:1 SHEET 1 OF 2 REV AM3	
MATERIAL NYLON, UL 94V-2		FINISH -		CUSTOMER DRAWING	





1. STAMP NUMBERS 3.18 HIGH AT WIRE END OF HOUSING (12 POINT DAVID TYPE).
2. CHARACTERS TO BE POSITIONED ON HOUSING TO BE READ FROM WIRE END ONLY.
3. VIOLET, BLACK, BROWN, AND BLUE COLORED BLOCKS TO BE STAMPED WITH WHITE CHARACTERS. ALL OTHER COLORED BLOCKS TO BE STAMPED WITH BLACK CHARACTERS.

NATURAL	2-480710-0
COLOR	PART NUMBER

THIS DRAWING IS A CONTROLLED DOCUMENT.

DIMENSIONS: mm [INCHES]	TOLERANCES UNLESS OTHERWISE SPECIFIED:	DIN K. WHITAKER CHK S. RIDGILL APVD S. RIDGILL PRODUCT SPEC	02SEP04 S. RIDGILL NAME
0. PLC ± -	1. PLC ± -	2. PLC ± ± 0.13 [.005]	3. PLC ± -
4. PLC ± -	ANGLES ± ± 0.30°	APPLICATION SPEC	SIZE A1
MATERIAL NYLON, UL 94V-2	FINISH -	WEIGHT -	CAGE CODE 00779
CUSTOMER DRAWING		SCALE 4:1	DRAWING NO 480710
		SHEET 2	OF 2
		REV AM3	RESTRICTED TO -

