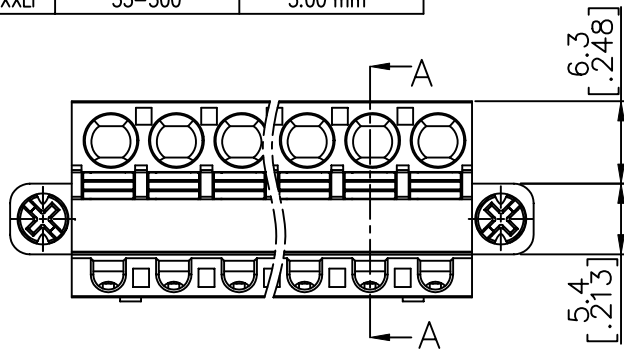




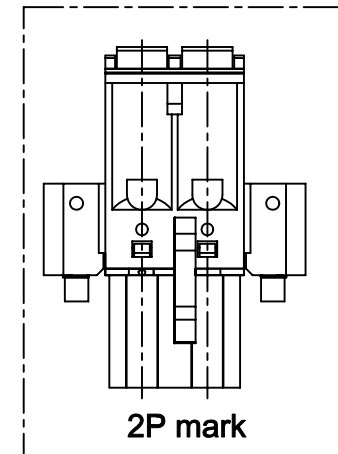
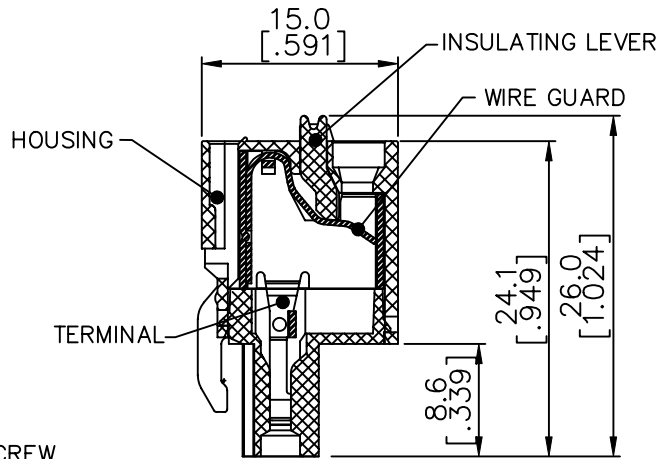
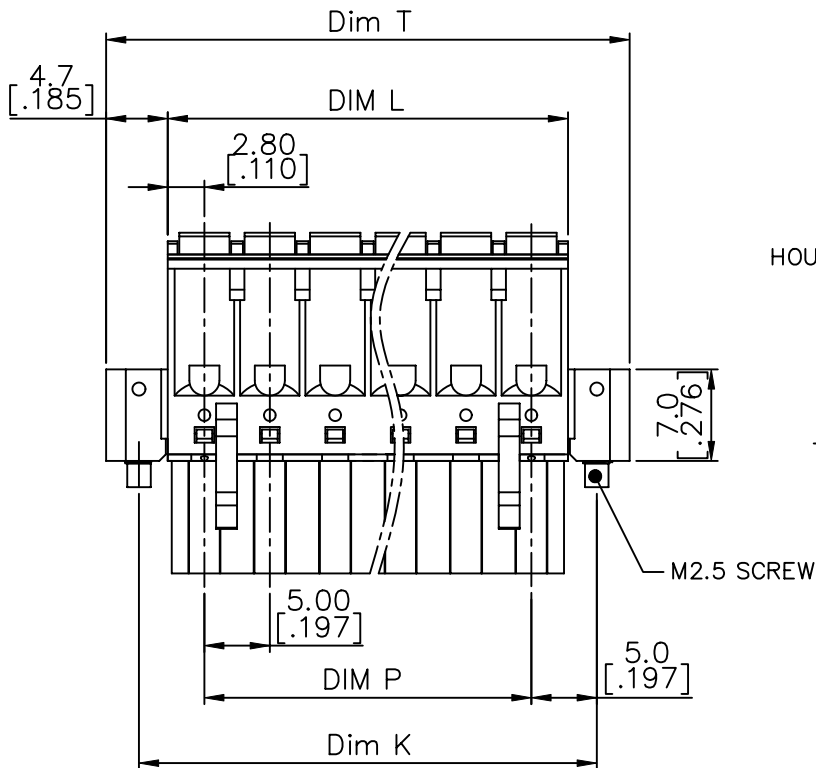


PRODUCT NUMBER	SERIES NAME	PITCH
20020034-GXXXXXXLF	35-500	5.00 mm



N = Number of poles  
 Dim. L=(Nx5.0[.197])+0.6[.111]  
 Dim. P=(N-1)x5.0[.197]  
 Dim. T=(Nx5.0[.197])+10.62[.418]  
 Dim. K=(N+1)x5.0[.197]

POLES	Dim. L & P	Dim. T & K
2-6p	±0.15[.006]	±0.15[.006]
7-12p	±0.20[.008]	±0.25[.010]
13-18p	±0.25[.010]	±0.30[.012]
19-24p	±0.30[.012]	±0.40[.016]



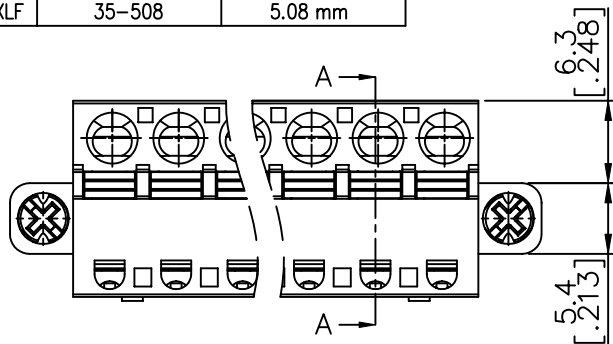
SECTION A-A

mat'l. code		surface ASME Y14.5	tolerance ASME Y14.5	projection 	product family TERMINAL BLOCK
ltr ecn no dr date		tolerances unless otherwise specified			title TERMINAL BLOCK PLUGGABLE SIGNAL PLUG, UPSIDE CONTACT W/FLANGE
B		angles X°±1'	int X.X±0.3 X.XX±0.1	MM [INCH]	scale
dr		WENDY CHEN	113010	sheet 2 of 3 size	
enr		JASON HSU	113010	A4	
chr		JASON HSU	113010	20020034	
appd		JASON HSU	113010	type CUSTOMER Drawing	
sheet index	revision sheet				



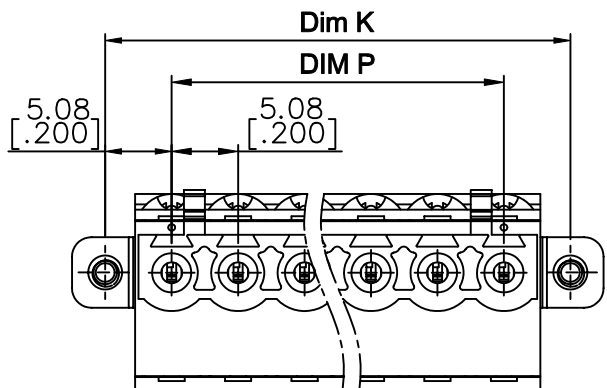
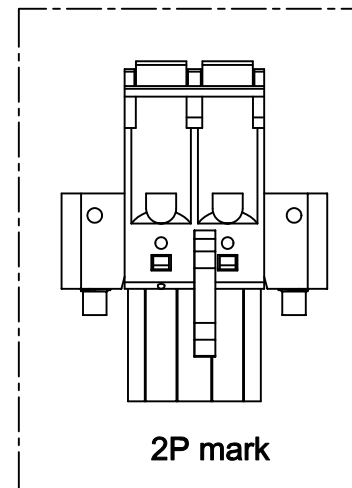
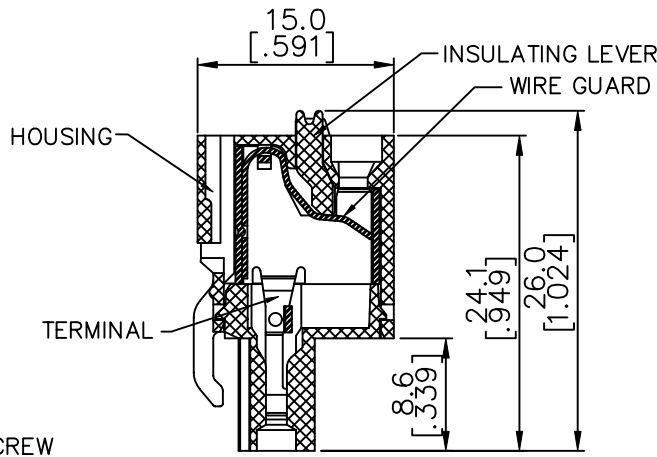
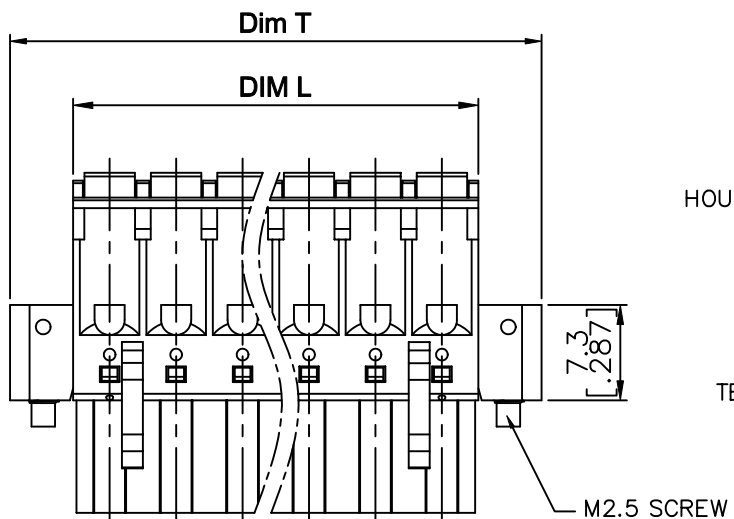


PRODUCT NUMBER	SERIES NAME	PITCH
20020034-HXXXXXL	35-508	5.08 mm



N = Number of poles  
 Dim. L=(N×5.08[.200])+0.5[.020]  
 Dim. P=(N-1)×5.08[.200]  
 Dim. T=(N×5.08[.200])+10.16[.400]  
 Dim. K=(N+1)×5.08[.200]

Poles	Dim.L & P & T & K
2-6p	±0.20[.008]
7-12p	±0.30[.012]
13-16p	±0.40[.016]
17-24p	±0.50[.020]



mat'l. code		surface ASME Y14.5	tolerance ASME Y14.5	projection 	product family TERMINAL BLOCK
ltr	ecn no	dr	date	tolerances unless otherwise specified	title TERMINAL BLOCK PLUGGABLE SIGNAL PLUG, UPSIDE CONTACT W/FLANGE
B				angles X±0.5 X.X±0.3 X°±1'	MM INCH
				scale	sheet 3 of 3 size
		dr	WENDY CHEN	113010	dwg no
		enr	JASON HSU	113010	20020034
		chr	JASON HSU	113010	A4
		appd	JASON HSU	113010	type
sheet index	revision sheet				CUSTOMER Drawing

