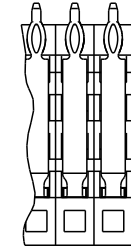
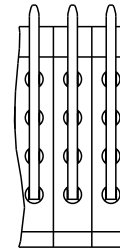
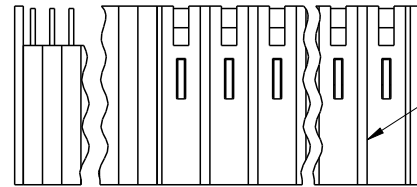
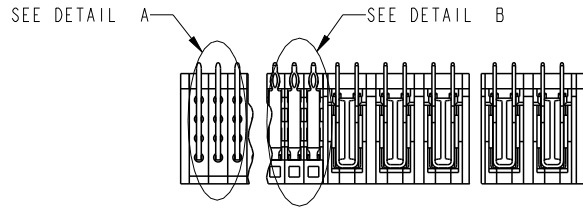


PRODUCT NUMBER

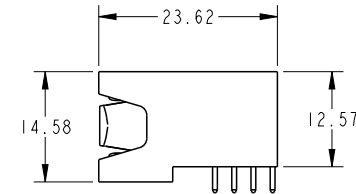
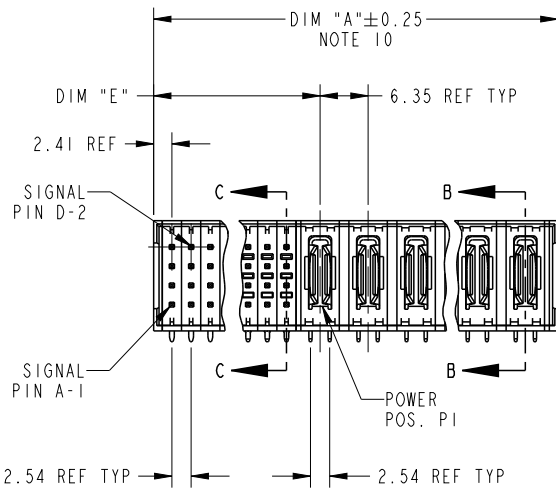
51725-A00CCDDE0..

SEE NOTE 1



M DETAIL A
SCALE 2:1
FOR SOLDER TO BOARD ONLY

M DETAIL B
SCALE 2:1
FOR PRESS FIT ONLY



Copyright FCI.

spec ref *		dr w wcadmin		2007/01/29		projection 	MM ←→	size	A4	scale	1:1
tolerance std		eng Ruan MT		2015/09/30				ecn no		ELX-DG-21593-1	
ASME Y14.5		chr Fancy Zhang		2015/09/30				rel level		Released	
surface ✓		appr Pei-Ming Zheng		2015/09/30		product family		PwrBlade		rev	
ASME Y14.5		linear		0.X ±0.5		title		R/A HEADER W/O GUIDE PIN		51725	
				0.XX ±0.25		www.fci.com		cat. no.		* Product - Customer Drw	
				0.XXX ±0.100						sheet 1 of 3	
		angular		0° ±2°						M	

1

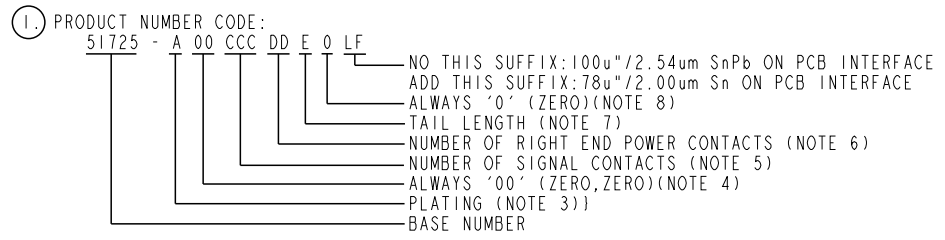
2

3

4

PRODUCT NUMBER	DIM	LENGTH FORMULAS (SEE NOTE 10)
51725-A00CCCDDE0--	DIM "A"	$2.54 \times (CCC/4) + 6.35 \times DD + 2.29$ (NOTE 10)
SEE NOTE 1	DIM "E"	$2.54 \times (CCC/4) + 4.32$
	DIM "F"	$2.54 \times (CCC/4) + 6.35 \times DD + 3.05$
	DIM "H"	$2.54 \times (CCC/4) + 0.64$

CONNECTOR NOTES



- 2. HOUSING MATERIAL: GLASS FILLED V-O HIGH TEMP THERMO PLASTIC.
SIGNAL CONTACT MATERIAL: PHOS BRONZE
POWER CONTACT MATERIAL: COPPER ALLOY
- 3. PLATING OPTION OPTIONS:
1 = SEE PRINT 10064183 FOR PLATING SPEC OF 51725-100CCCDDE0; 51725-100CCCDDE0LF
- 4. THIS PART IS NOT AVAILABLE WITH LEFT SIDE POWER CONTACTS.
- 5. SIGNAL CONTACTS, 004 TO 148 AVAILABLE.
- 6. RIGHT END POWER CONTACTS, 01 TO 20 AVAILABLE.
MAXIMUM OF 20 POWER CONTACTS PER CONNECTER.
- 7. TAIL LENGTH OPTIONS:
A = 3.43 SOLDER TO BOARD
B = 4.19 SOLDER TO BOARD
C = 3.43 PRESS FIT
D = 2.34 SOLDER TO BOARD

- 8. BOARD RETENTION IS NOT AVAILABLE WITH GUIDELESS ENDS.
 - 9. MANUFACTURE'S NAME, P/N, AND DATE CODE TO APPEAR ON THIS SURFACE.
 - 10. THE MAXIMUM OVERALL LENGTH (DIM A) OF A PART IS 203.2
 - 11. PRODUCT SPECIFICATION GS-12-149
APPLICATION SPECIFICATION BUS-20-067
 - 12. REFERENCE 51697 FOR SELECT LOAD/FMLB WORKSHEET
- PCB NOTES:
- 13. ALL DIMENSIONS ARE BASIC UNLESS OTHERWISE SPECIFIED.
 - 14. ALL THROUGH HOLES ARE LOCATED WITH A TRUE POSITION OF 0.10
 - 15. ALL HOLE DIAMETERS ARE FINISHED HOLE SIZE.
 - 16. $\varnothing 1.151 \pm 0.025$ DRILLED HOLES PLATED WITH 0.008 MIN SnPb or Sn OVER 0.03 TO 0.08 Cu PLATING TO ACHIEVE A 1.02 ± 0.07 HOLE.
 - 17. A SYMBOL WILL BE NEXT TO ANY DIMENSION, VIEW, OR NOTE WHICH HAS BEEN MODIFIED WITH THE CURRENT DRAWING REVISION.
 - 18. CONNECTOR KEEP OUT ZONE



Copyright FCI.

dr	w cadmin	2007/01/29	projection 	MM 	size	A4	scale	1:1	
eng	Ruan MT	2015/09/30			ecn no	ELX-DG-21593-1			
chr	Fancy Zhang	2015/09/30			rel level	Released			
appr	Pei-Ming Zheng	2015/09/30	product family	PwrBlade		rev	M		
		title			R/A HEADER W/O GUIDE PIN		dwg no		51725
www.fci.com		cat. no.			*		Product - Customer Drw		sheet 2 of 3

2

3

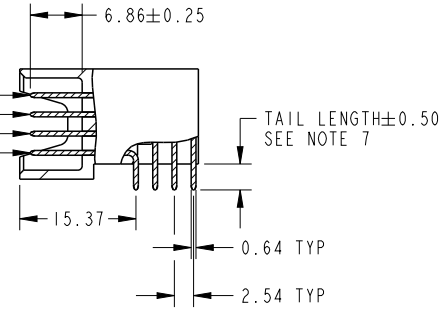
4

PRODUCT NUMBER

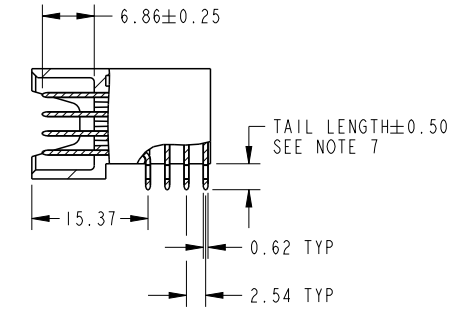
51725-A00CCCDDE0..

SEE NOTE 1

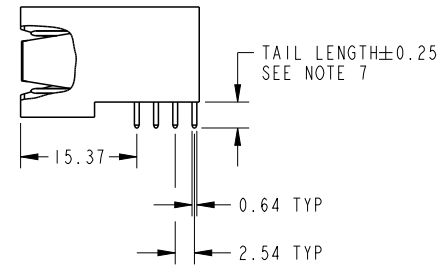
SIGNAL ROW D
SIGNAL ROW C
SIGNAL ROW B
SIGNAL ROW A



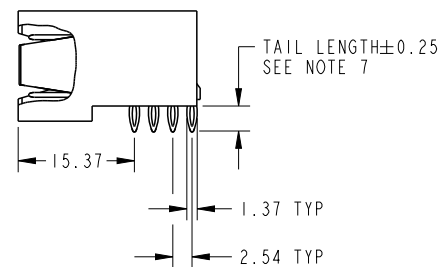
△ BROKEN-OUT SECTION C-C FOR SOLDER TO BOARD ONLY



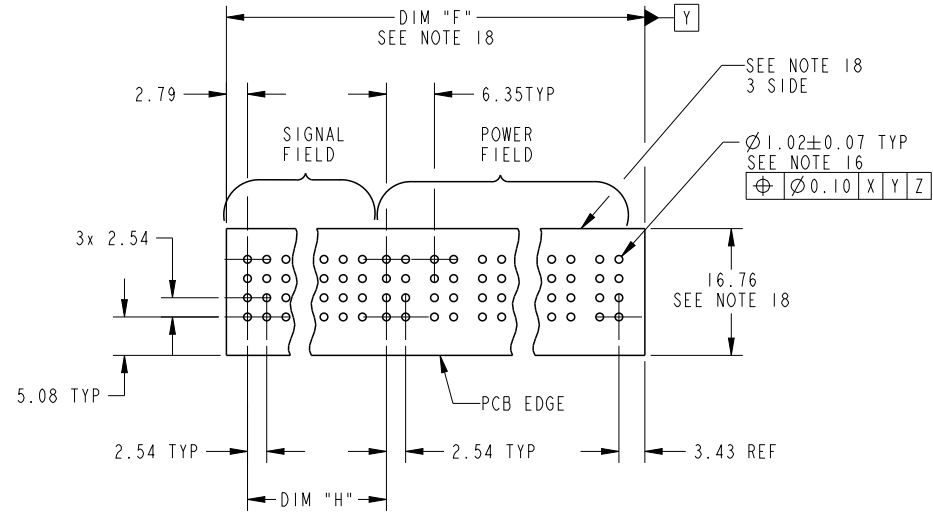
△ BROKEN-OUT SECTION C-C FOR PRESS FIT ONLY



△ BROKEN-OUT SECTION B-B FOR SOLDER TO BOARD ONLY



△ BROKEN-OUT SECTION B-B FOR PRESS FIT ONLY



RECOMMENDED PCB LAYOUT

dr	wcadmin	2007/01/29	projection 	MM ←→	size	A4	scale	1:1
eng	Ruan MT	2015/09/30			ecn no	ELX-DG-21593-1		
chr	Fancy Zhang	2015/09/30			rel level	Released		
appr	Pei-Ming Zheng	2015/09/30	product family	PwrBlade				
		title	R/A HEADER W/O GUIDE PIN		dwg no	51725		rev
www.fci.com		cat. no.	*	Product - Customer Drw			sheet 3 of 3	M



Copyright FCI.