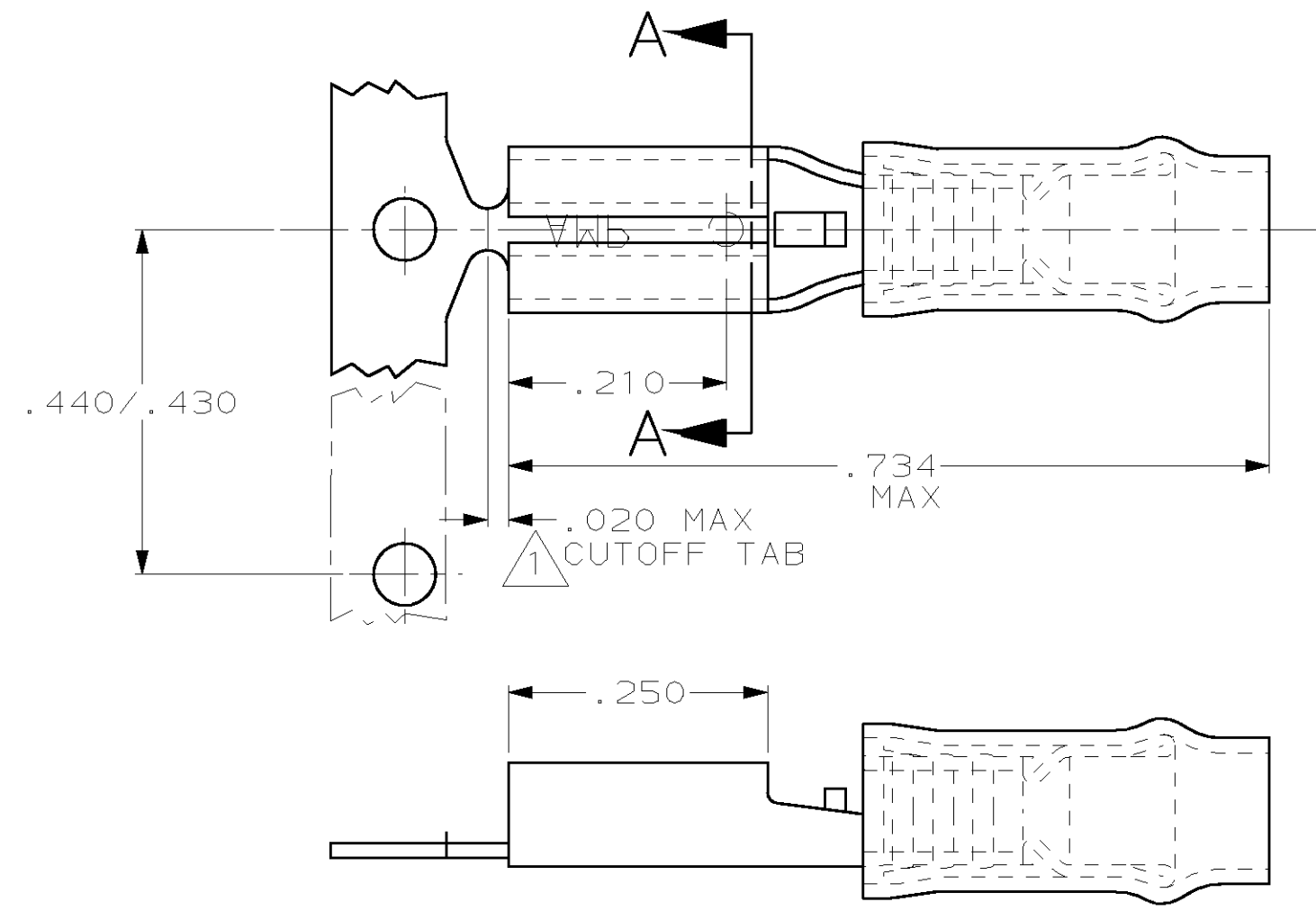
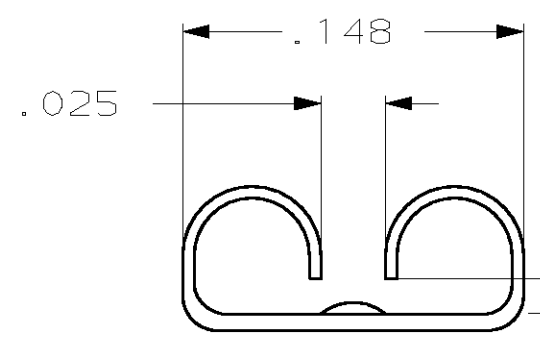


THIS DRAWING IS UNPUBLISHED. RELEASED FOR PUBLICATION, 19...  
 © COPYRIGHT 19 BY AMP INCORPORATED. ALL RIGHTS RESERVED.

LOC	DIST	REVISIONS			
P	LTR	DESCRIPTION	DATE	DWN	APVD
G	14	L	REV PER 0G3A-0176-02	08APR02	JR TM



- 1 THIS DIMENSION FOR LOOSE PIECE ONLY
- 2. CONTINUOUS STRIP ON REELS
- 3. THIS TERMINAL TO BE SUPPLIED IN INDIVIDUAL FORM, NOT AS CONTINUOUS STRIP
- 4 60893-2 REVERSE REELED OF 60893-1 (FOR MINI APPLICATOR)
- 5. INSULATION RANGE .100 MAX
- 6. TAB THK .032±.001



FITS "110" SERIES FASTON TAB  
 (REFER TO CP-16000 FOR TAB DETAILS)

-	-	60894-1	60893-2
QTY	PACKAGE TYPE	COMBINATION NO. LOOSE PIECE	PART NO

AMP INCORPORATED CUSTOMER SERVICE SYSTEM		MAX RECOMMENDED OPERATING TEMPERATURE: -	THIS DRAWING IS A CONTROLLED DOCUMENT FOR AMP INCORPORATED. IT IS SUBJECT TO CHANGE AND THE CONTROLLING ENGINEERING ORGANIZATION SHOULD BE CONTACTED FOR THE LATEST REVISION.		DWN L OLMEDA 26JUN95	<b>AMP</b> AMP Incorporated Harrisburg, PA 17105-3608
FOR ADDITIONAL PRODUCT INFORMATION OR COPIES OF DRAWINGS AND TECHNICAL DOCUMENTS	PRODUCT INFORMATION CENTER 1-800-522-6752	VOLTAGE RATING: -	DIMENSIONS: INCHES	TOLERANCES UNLESS OTHERWISE SPECIFIED:	CHK M ELLIS 26JUN95	
FOR APPLICATION TOOLING INFORMATION	TOOLING ASSISTANCE CENTER 1-800-722-1111	CIRCULAR MIL AREA: -		0 PLC ±-	APVD B BARE 26JUN95	NAME RECEPTACLE, 110 SERIES, FASTON™, PIDG™, WIRE SIZE, 22-18 AWG
FOR ORDER ENTRY	1-800-526-5142			MATERIAL BODY, BRASS .012	1 PLC ±- 2 PLC ±.015 3 PLC ±- 4 PLC ANGLES ±-	PRODUCT SPEC -
			FINISH BODY, PRE-TIN		APPLICATION SPEC -	SCALE NT5 SHEET 1 OF 1 REV L
					WEIGHT -	CUSTOMER DRAWING