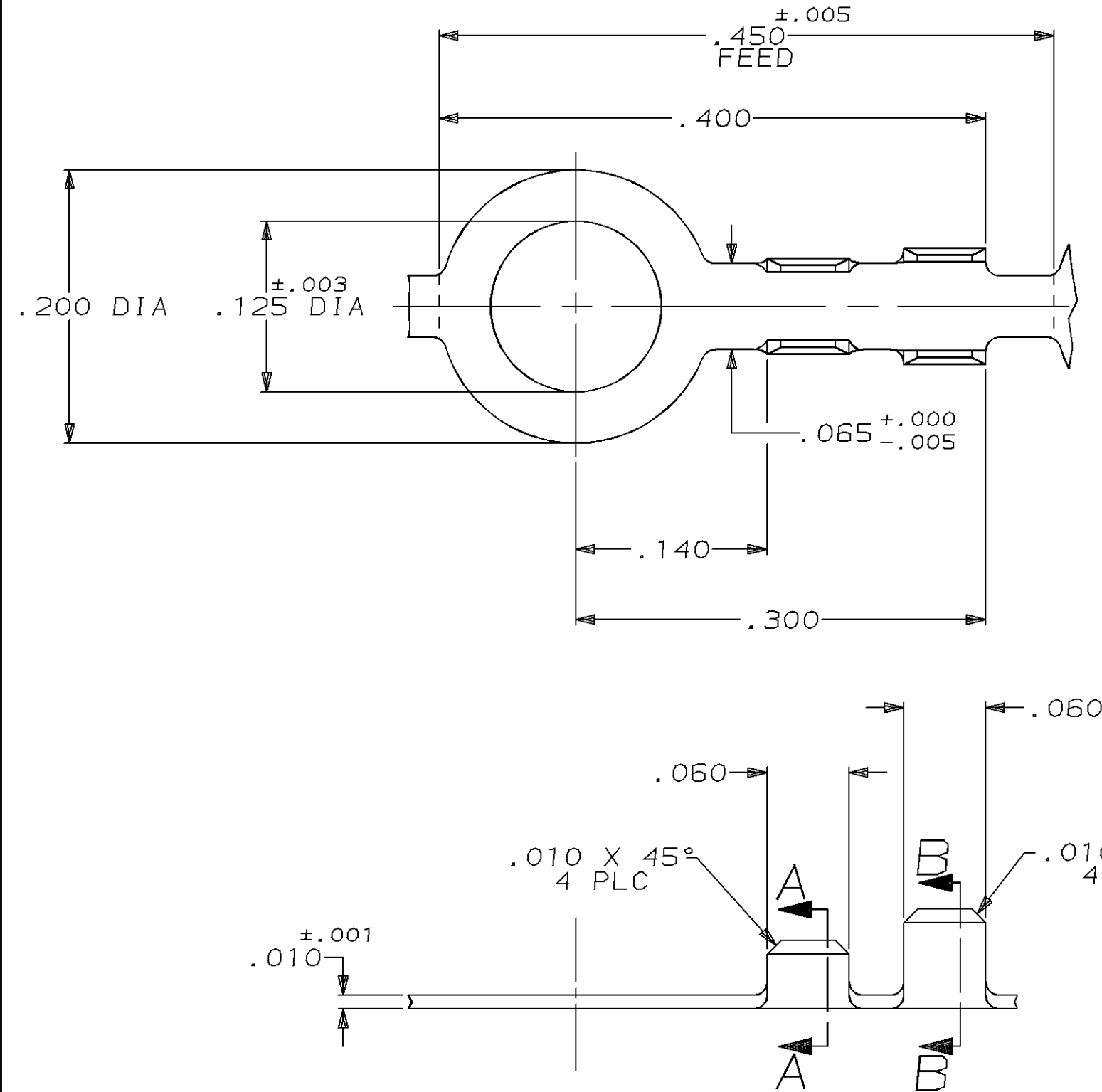
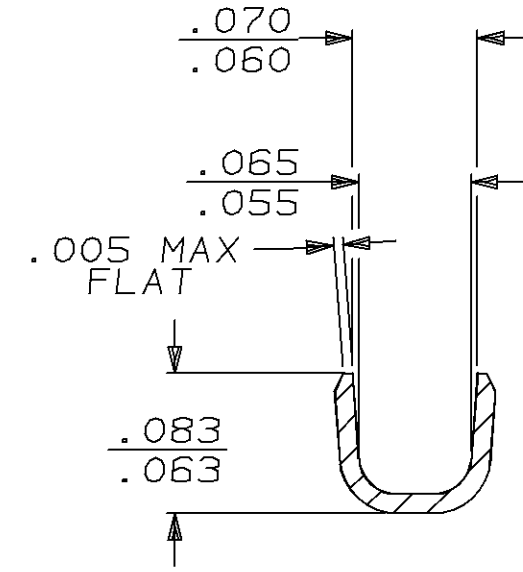
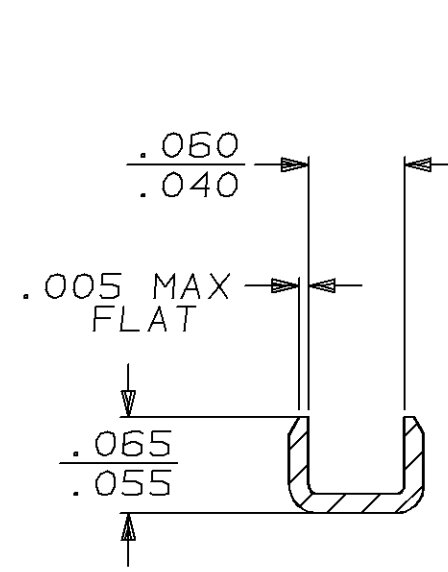


THIS DRAWING IS UNPUBLISHED. RELEASED FOR PUBLICATION, 19  
 © COPYRIGHT 19 BY AMP INCORPORATED. ALL INTERNATIONAL RIGHTS RESERVED.

LOC	DIST	P	F	REVISIONS				
AF	50			ZONE	LTR	DESCRIPTION	DATE	APPD
					H	REVISED PER 0521-94	10/12/94	PF/GY

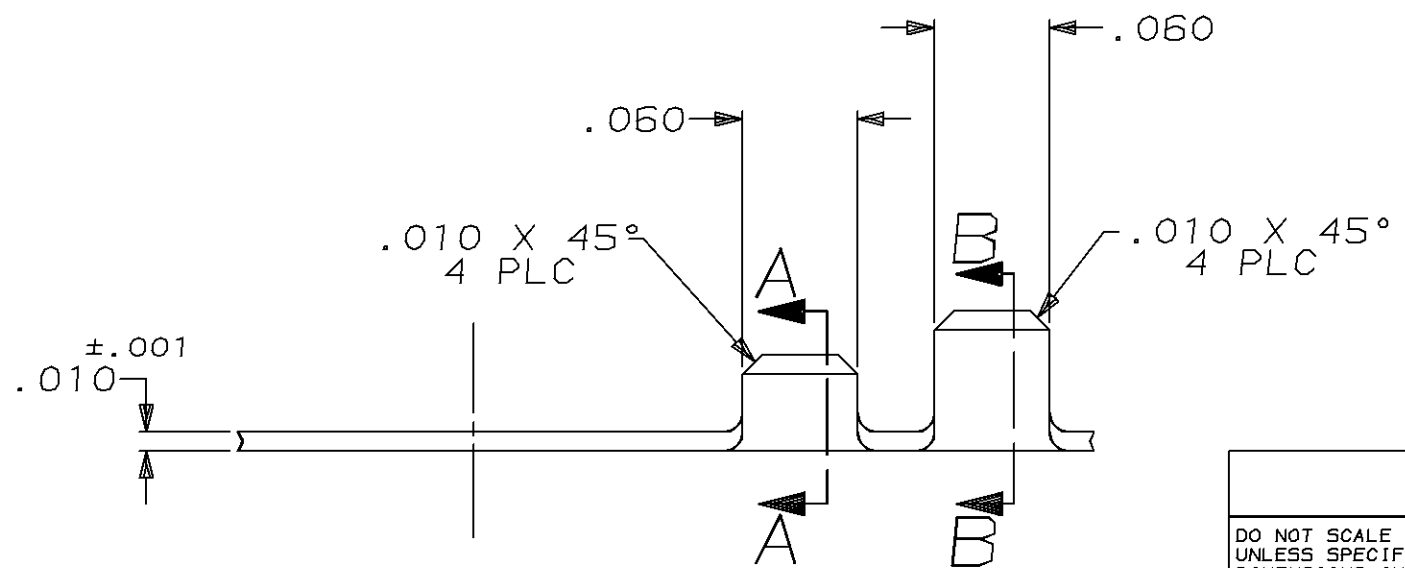


1 CONTINUOUS STRIP ON REELS



SECTION A-A  
SCALE 10:1

SECTION B-B  
SCALE 10:1



61743-1

PART NO

**AMP** AMP Incorporated  
Harrisburg, PA 17105-3608

NAME  
**RING, SPECIAL**

SIZE **B** CAGE CODE 00779 DRAWING NO 61743

SCALE 10:1 SHEET 1 OF 1

DO NOT SCALE PRINT. UNLESS SPECIFIED DIMENSIONS IN INCHES TOLERANCES ON: 2 PLC DEC ± - 3 PLC DEC ± .015 ANGLES ± 1°	DR 4/18/90 P FORTNEY
	CHK 4/18/90 JR RUTH
	APPD 4/18/90 G YETTER
	APPD 4/18/90 R KUZO
MATERIAL 1/2 HARD PHOS BRONZE	PRODUCT SPEC -
FINISH -	APPLICATION SPEC -
	WEIGHT -