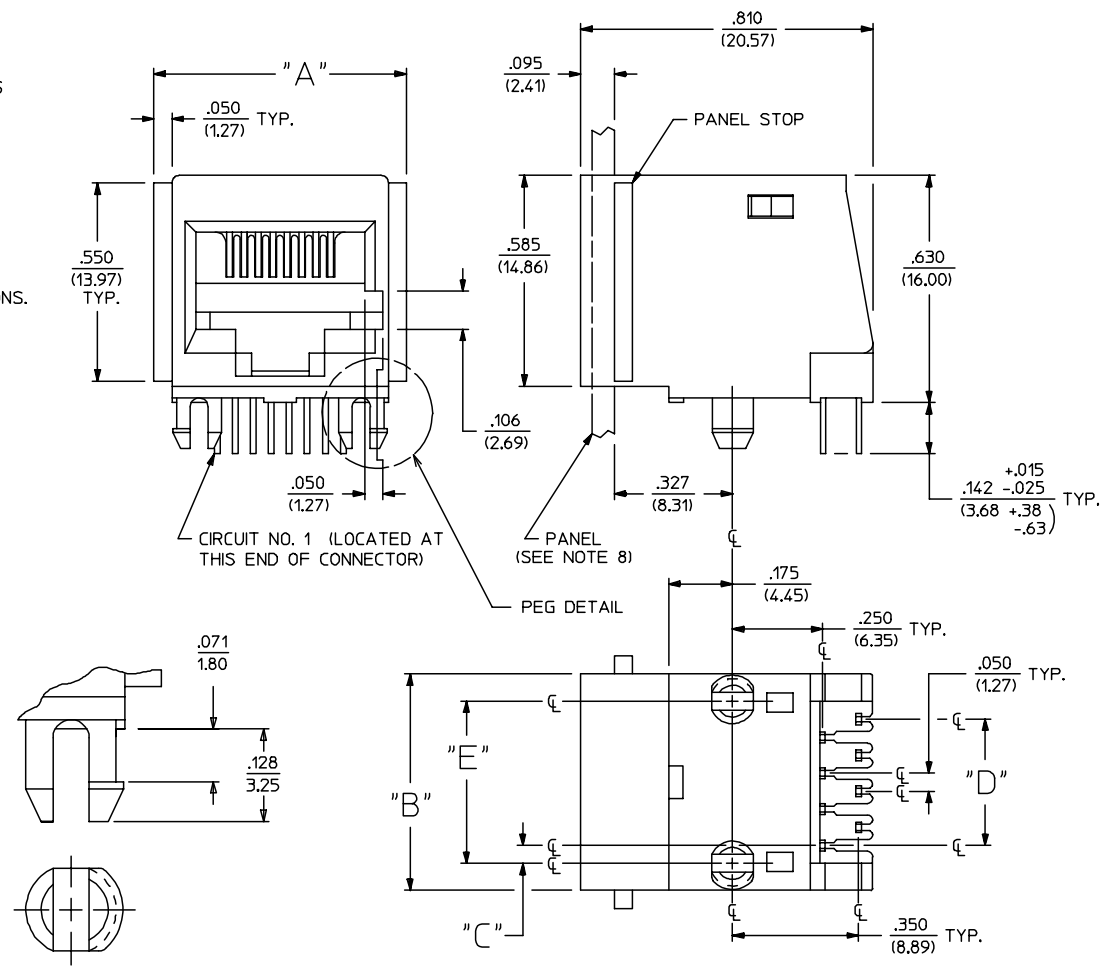


NOTES:

- 1) MATERIALS:
HOUSING: GLASS FILLED POLYESTER, UL94 V-0, COLOR: BLACK
TERMINALS: PHOSPHOR BRONZE
- 2) FINISH:
TERMINALS:
SELECT GOLD IN CONTACT AREA: 50 MICROINCHES MIN.,
*SELECT TIN IN PC TAIL AREA: 100 MICROINCHES MIN.,
WITH OVERALL NICKEL UNDERPLATE: 50 MICROINCHES MIN.
*THE PRIMARY SHIPPING CARTON WILL BE LABELED "COMPLIANT TO RoHS DIRECTIVE 2002/95/EC AND ELV ANNEX II OF DIRECTIVE 2000/53/EC". CARTONS WITHOUT THIS LABEL MAY CONTAIN PRODUCT WITH TIN-LEAD IN THE PC TAIL AREA.
- 3) ALL JACKS MUST MEET THE REQUIREMENTS OF MOLEX SPECIFICATION #PS-41314.
- 4) PACKAGING OPTIONS: TRAYS
- 5) JACKS CONFORM TO AND ACCEPT PLUGS WHICH CONFORM TO FCC REGULATIONS, PART 68.5.
- 6) JACKS ARE TO BE USED WITH .062/(1.57) THICK PRINTED CIRCUIT BOARDS.
- 7) SEE SHEET 3 FOR RECOMMENDED PANEL CUT-OUT AND BOARD LAYOUT DIMENSIONS.
- 8) PANEL TO BE LOCATED AGAINST MODULAR JACK FLANGE AS INDICATED.
- 9) HOUSING SIZES 4 AND 6 ARE NOT AVAILABLE WITH KEYING OPTION.
- 10) ALL UNTOLERANCED DIMENSIONS ARE SHOWN FOR REFERENCE ONLY.



PEG DETAIL
SCALE: 8:1



SIZE 8 MODULAR JACK HOUSING LOADED WITH 8 TERMINALS IS SHOWN ABOVE

3	0
2	01
1	01
SH	REV

B	8	2	.700 (17.78)	.600 (15.24)	.200 (5.08)	.050 (1.27)	.450 (11.43)
	8	4	.700 (17.78)	.600 (15.24)	.150 (3.81)	.150 (3.81)	.450 (11.43)
	8	6	.700 (17.78)	.600 (15.24)	.100 (2.54)	.250 (6.35)	.450 (11.43)
A	8	8	.700 (17.78)	.600 (15.24)	.050 (1.27)	.350 (8.89)	.450 (11.43)
	HOUSING SIZE	CIRCUIT SIZE	DIM. "A"	DIM. "B"	DIM. "C"	DIM. "D"	DIM. "E"

REMOVE FILM/AMMO PACK EC NO: UCP2006-2453 DRWN:PRDDR 2006/06/14 CHKD:JBELL 2006/06/27 APPR:FSMTH 2006/06/29 01	QUALITY SYMBOLS -0 -0	GENERAL TOLERANCES (UNLESS SPECIFIED) mm INCH 4 PLACES ± --- ± --- 3 PLACES ± --- ± --- 2 PLACES ± --- ± --- 1 PLACE ± --- ± --- ANGULAR ±1/2° DRAFT WHERE APPLICABLE MUST REMAIN WITHIN DIMENSIONS	SCALE 4:1 DESIGN UNITS INCH DIMENSION STYLE IN/MM DRAWN BY DATE GLT 1990/05/21 CHECKED BY DATE BAP 1990/05/21 APPROVED BY DATE RAS 1990/05/21	THIRD ANGLE PROJECTION REVISE ON CAD ONLY TITLE RIGHT ANGLE FLUSH MOUNT KEYED MODULAR JACK ASSEMBLY MOLEX MOLEX INCORPORATED MATERIAL NO. DOCUMENT NO. SHEET NO. SEE SHEET 2 SDA-42063-***** 1 OF 3
	THIS DRAWING CONTAINS INFORMATION THAT IS PROPRIETARY TO MOLEX INCORPORATED AND SHOULD NOT BE USED WITHOUT WRITTEN PERMISSION			

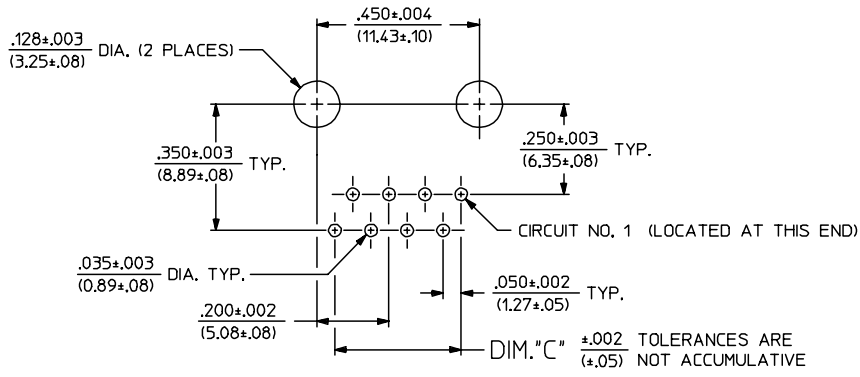
	13	12	11	10	9	8	7	6	5	4	3	2	42063	
	ENGINEERING PART NUMBER	E.D.P. NUMBER	HOUSING SIZE	CIRCUIT SIZE	PACKAGING OPTION									
J	A-42063-88ABAA	015-43-9501	8	8	TRAY PACK									J
	A-42063-86ABAA	015-43-9504	8	6	TRAY PACK									
	A-42063-84ABAA	015-43-9507	8	4	TRAY PACK									
	A-42063-82ABAA	015-43-9510	8	2	TRAY PACK									
I	<u>SEE SHEET 1 FOR PART DESCRIPTIONS</u>													I
H														H
G														G
F														F
E														E
D														D
C														C
B														B
A														A

SEE SHEET ONE EC NO: UCP2006-2453 DRWN: PRIDDER 2006/06/14 CHKD: JBELL 2006/06/27 APPR: FSMITH 2006/06/29	QUALITY SYMBOLS	GENERAL TOLERANCES (UNLESS SPECIFIED)	SCALE ---	DESIGN UNITS INCH	THIRD ANGLE PROJECTION	REVISE ON CAD ONLY	
	 -0  -0	mm	INCH	DIMENSION STYLE IN/MM		TITLE	
		4 PLACES ± --- ± ---	3 PLACES ± --- ± ---	2 PLACES ± --- ± ---	1 PLACE ± --- ± ---	RIGHT ANGLE FLUSH MOUNT KEYPED MODULAR JACK ASSEMBLY	
		ANGULAR ±1/2°		DRAFT WHERE APPLICABLE MUST REMAIN WITHIN DIMENSIONS		MOLEX INCORPORATED	
01	DESCRIPTION	DRAWN BY DATE GLT 1990/05/21		CHECKED BY DATE BAP 1990/05/21		APPROVED BY DATE RAS 1990/05/21	
			MATERIAL NO. SEE CHART		DOCUMENT NO. SDA-42063-*****	SHEET NO. 2 OF 3	
THIS DRAWING CONTAINS INFORMATION THAT IS PROPRIETARY TO MOLEX INCORPORATED AND SHOULD NOT BE USED WITHOUT WRITTEN PERMISSION							

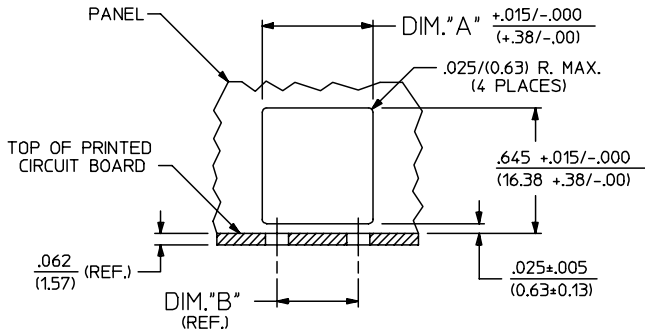
13 12 11 10 9 8 7 6 5 4 3 2 42063

ENGINEERING PART NUMBER	HOUSING SIZE	CIRCUIT SIZE	DIM. "A"	DIM. "B"	DIM. "C"
A-42063-88****	8	8	.615/(15.62)	.450/(11.43)	.350/(8.89)
A-42063-86****	8	6	↑	↑	.250/(6.35)
A-42063-84****	8	4	↓	↓	.150/(3.81)
A-42063-82****	8	2	.615/(15.62)	.450/(11.43)	.050/(1.27)

NOTES:
 1) RECOMMENDED BOARD LAYOUTS ARE SHOWN AS COMPONENT SIDE OF BOARD.
 2) HOUSING SIZES 4 AND 6 ARE NOT AVAILABLE WITH KEYING OPTION.



PC BOARD LAYOUT FOR HOUSING SIZE 8



PANEL CUT-OUT GUIDELINES

DIM. "A" MUST BE SYMMETRICAL TO DIM. "B" WITHIN .005/(0.13)

SEE SHEET ONE EC NO: UCP2004-1331 DRAWN:LSCHMIDT 2004/02/23 CHKD:LSCHMIDT 2004/02/23 APPR:FSMITH 2004/02/26	QUALITY SYMBOLS ▽ = 0 ▽ = 0	GENERAL TOLERANCES (UNLESS SPECIFIED)		SCALE 4:1	DESIGN UNITS INCH	THIRD ANGLE PROJECTION	REVISE ON CAD ONLY	
		4 PLACES ± --- ± ---	3 PLACES ± --- ± ---	DIMENSION STYLE IN/MM		TITLE		
		2 PLACES ± --- ± ---	1 PLACE ± --- ± ---	DRAWN BY GLT	DATE 1990/05/21	PANEL/BOARD LAYOUTS FOR RIGHT ANGLE FLUSH MOUNT MODULAR JACK ASSEMBLIES		
		ANGULAR ±1/2°		CHECKED BY BAP	DATE 1990/05/21	MOLEX MOLEX INCORPORATED		
0	DESCRIPTION	DRAFT WHERE APPLICABLE MUST REMAIN WITHIN DIMENSIONS		APPROVED BY RAS	DATE 1990/05/21	MATERIAL NO. SEE SHEET 2	DOCUMENT NO. SDA-42063-*****	SHEET NO. 3 OF 3

12 11 10 9 8 7 6 5 4 3 2 1