

THIS DRAWING IS UNPUBLISHED. RELEASED FOR PUBLICATION AUG. 2006.
 © COPYRIGHT 2011 BY TE CONNECTIVITY. ALL RIGHTS RESERVED.

LOC		DIST		REVISIONS			
DW		P	LTR	DESCRIPTION	DATE	DWN	APVD
		D		ECR-12-010651	12JUN12	AW	WK

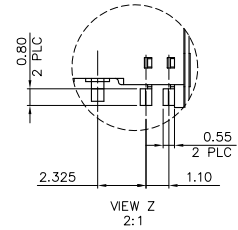
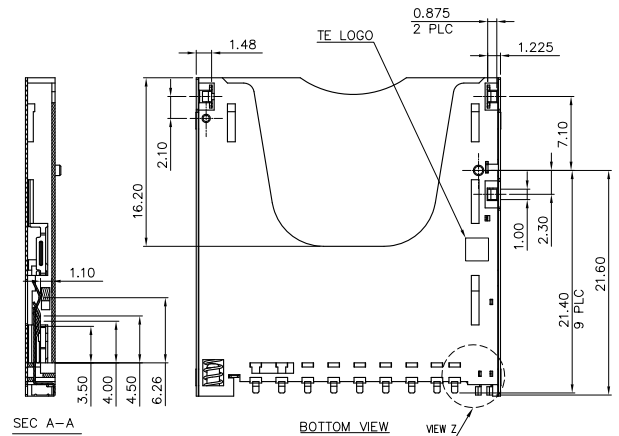
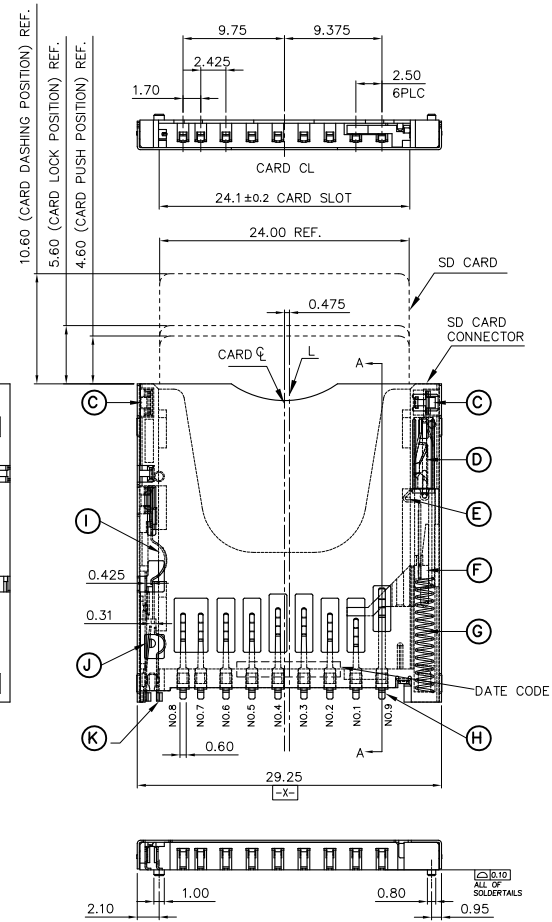
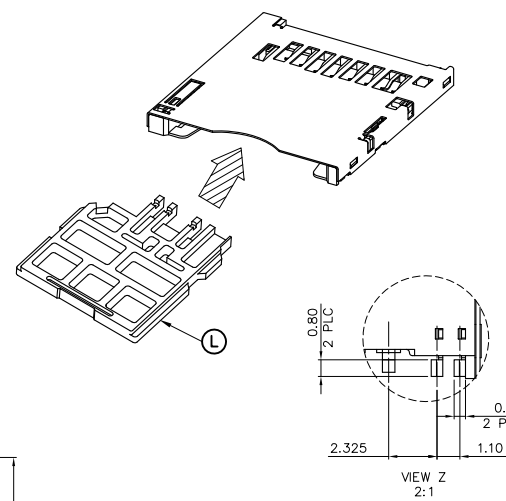
NOTES:

1.

ITEM	PARTS NAME	MATERIAL	FINISH/REMARK
A	HOUSING	TERMOPLASTIC HIGH TEMP	UL94 V-0, BLACK
B	SHELL	STAINLESS	NON-PLATING
C	HOLDDOWN CONTACT	PHOSHPOR BRONZE	100µ" MIN. MATTE-TIN PLATING ON SOLDER TAIL AREA 50µ" MIN. NICKEL UPDERPLATING OVERALL
D	CAM PIN	STAINLESS	NON-PLATING
E	CARD LOCK	PHOSHPOR BRONZE	100µ" MIN. MATTE-TIN PLATING 50µ" MIN. NICKEL UPDERPLATING OVERALL
F	SLIDER CAM	TERMOPLASTIC HIGH TEMP	UL94 V-0, BLACK
G	SPRING	SWP	50µ" MIN. NICKEL UPDERPLATING OVERALL
H	CONTACT-SD	PHOSHPOR BRONZE	GOLD (SEE TABLE) PLATING ON CONTACT AREA 100µ" MIN. MATTE-TIN PLATING ON SOLDER TAILS 50µ" MIN. NICKEL UPDERPLATING OVERALL
J	PROTECT CONTACT		
K	DETECT CONTACT		
L	FAKE CARD	LCP	BLACK

- 3. APPLIED TO IR SOLDERING PROCESS
- 4. NET WEIGHT: 10 GRAMS.
- 5. OTHERS:
 - 5.1 WHEN DELIVERING, THE PSH/PUSH MECHANISM IS IN THE STATE OF THE UNLOCK. (CARD DASHING OUT POSITION)
 - 5.2 CARD READ ONLY BY THE TIME THE CARD DETECTION SWITCH WORKS.
 - 5.3 OPEN AND CLOSE OF EACH SWITCH.

CARD INSERTION STATUS	WRITE PROTECT SWITCH		DETECT SWITCH
	WRITE PROTECT POSITION	WRITE ENABLE POSITION	
CARD UNINSERTION	OPEN	OPEN	OPEN
CARD HALF INSERTION	COLSE	COLSE	OPEN
CARD INSERTION	OPEN	COLSE	COLSE



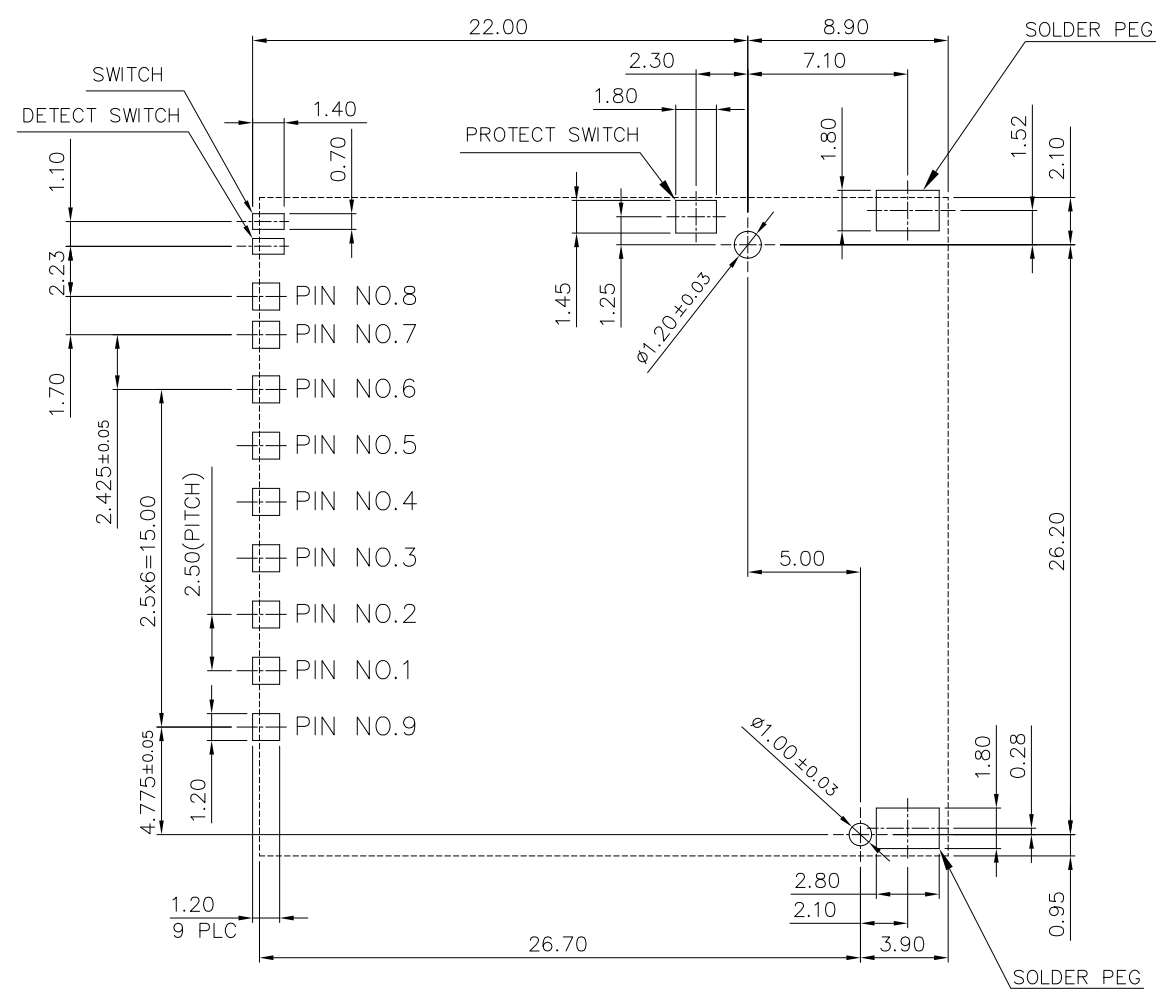
0.762µm [30µ"]	1-1775059-1
0.127µm [5µ"]	1775059-1
MIN. GOLD THICKNESS	PART NUMBER

THIS DRAWING IS A CONTROLLED DOCUMENT.		DWN	A. WU	21AUG2006	 TE Connectivity	SD CARD CONNECTOR, REVERSE TYPE, PUSH-PUSH		
DIMENSIONS: MM		CHK	S. HOU	21AUG2006		NAME		
TOLERANCES UNLESS OTHERWISE SPECIFIED:		APVD	W.J. KF	21AUG2006		PRODUCT SPEC	108-57504	
0 PLC ± - 1 PLC ± 0.3 2 PLC ± 0.2 3 PLC ± 0.2 4 PLC ± - ANGLES ± ± 3°		APPLICATION SPEC				SIZE	CAGE CODE	DRAWING NO
MATERIAL	SEE NOTE	WEIGHT	SEE NOTE	A3	00779	©=1775059	RESTRICTED TO	
CUSTOMER DRAWING		SCALE		SHEET		1 OF 5		
MATERIAL		FINISH		REVISIONS		REV D		

THIS DRAWING IS UNPUBLISHED. RELEASED FOR PUBLICATION AUG .2006.
 © COPYRIGHT 2011 BY TE CONNECTIVITY. ALL RIGHTS RESERVED.

LOC	DIST	REVISIONS					
DW		P	LTR	DESCRIPTION	DATE	DWN	APVD
				SEE SHEET 1.			

(FOR P/N: 1775059-1 & 1-1775059-1)



PIN DEFINE

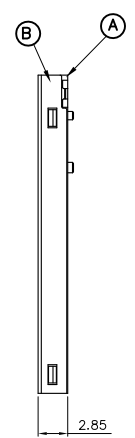
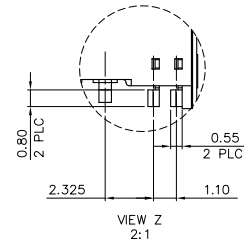
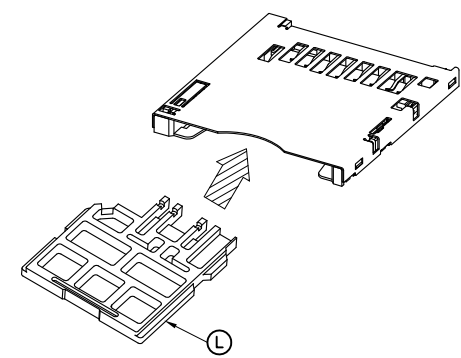
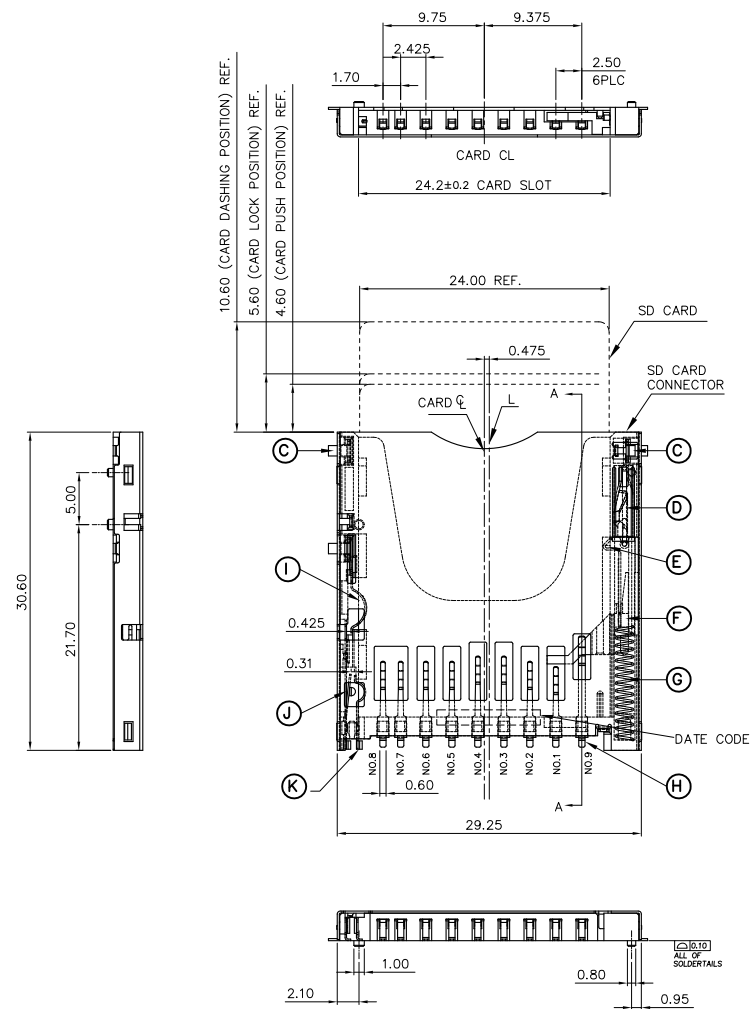
PAD NO.	MEMORY CARD
SD-01	SD-CD/DAT3(SD-01)
SD-02	SD-CMD(SD-02)
SD-03	SD-VSS(SD-03)
SD-04	SD-VDD(SD-04)
SD-05	SD-CLK(SD-05)
SD-06	SD-VSS(SD-06)
SD-07	SD-DAT0(SD-07)
SD-08	SD-DAT1(SD-08)
SD-09	SD-DAT2(SD-09)

RECOMMENDED PCB LAYOUT
 PCB TOLERANCE: ± 0.05

THIS DRAWING IS A CONTROLLED DOCUMENT.		DWN	TE Connectivity			
DIMENSIONS: MM		CHK				
		APVD	NAME			
TOLERANCES UNLESS OTHERWISE SPECIFIED: 0 PLC ± - 1 PLC ± - 2 PLC ± - 3 PLC ± - 4 PLC ± - ANGLES ± -		PRODUCT SPEC	SD CARD CONNECTOR, REVERSE TYPE, PUSH-PUSH			
MATERIAL		APPLICATION SPEC	SIZE	CAGE CODE	DRAWING NO	RESTRICTED TO
FINISH		WEIGHT	A3	00779	C=1775059	-
CUSTOMER DRAWING			SCALE	SHEET	2 OF 5	REV D

THIS DRAWING IS UNPUBLISHED. RELEASED FOR PUBLICATION AUG. 2006.
 © COPYRIGHT 2011 BY TE CONNECTIVITY. ALL RIGHTS RESERVED.

LOC	DIST	REVISIONS					
DW		P	LTR	DESCRIPTION	DATE	DWN	APVD
		SEE SHEET 1.					



0.127 μm [5 μ"]	1775059-2
MIN. GOLD THICKNESS	PART NUMBER

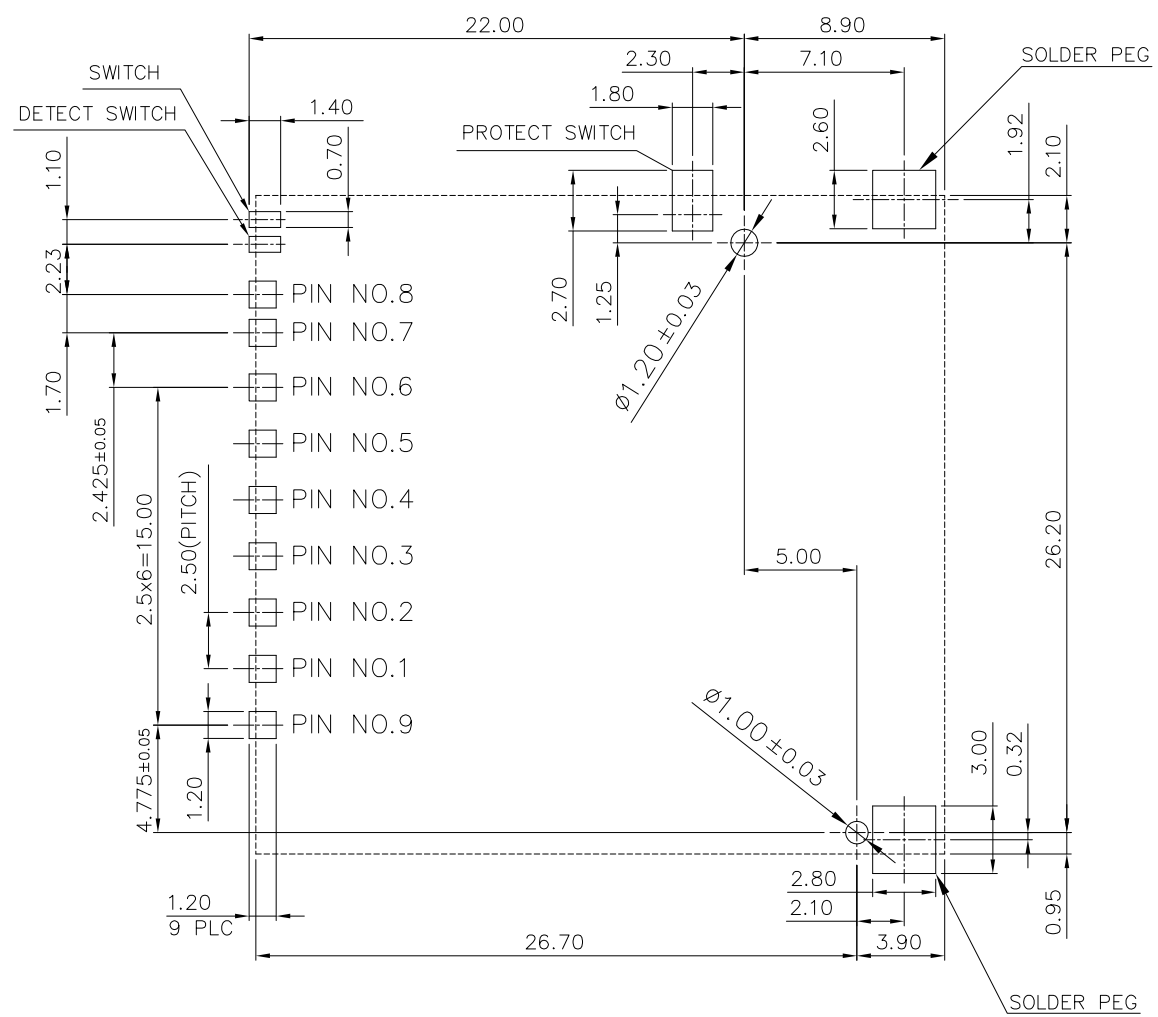
THIS DRAWING IS A CONTROLLED DOCUMENT.		DWN	TE Connectivity			
DIMENSIONS: MM		CHK				
TOLERANCES UNLESS OTHERWISE SPECIFIED:		APVD	NAME			
0 PLC ± - 1 PLC + - 2 PLC + - 3 PLC + - 4 PLC + - ANGLES ± -		PRODUCT SPEC	SD CARD CONNECTOR, REVERSE TYPE, PUSH-PUSH			
MATERIAL		APPLICATION SPEC	SIZE	CAGE CODE	DRAWING NO	RESTRICTED TO
FINISH		WEIGHT	A3	00779	©=1775059	-
CUSTOMER DRAWING			SCALE	SHEET	3 OF 5	REV D

LOC	DIST	REVISIONS					
DW		P	LTR	DESCRIPTION	DATE	DWN	APVD
				SEE SHEET 1.			

(FOR P/N 1775059-2)

PIN DEFINE

PAD NO.	MEMORY CARD
SD-01	SD-CD/DAT3(SD-01)
SD-02	SD-CMD(SD-02)
SD-03	SD-VSS(SD-03)
SD-04	SD-VDD(SD-04)
SD-05	SD-CLK(SD-05)
SD-06	SD-VSS(SD-06)
SD-07	SD-DAT0(SD-07)
SD-08	SD-DAT1(SD-08)
SD-09	SD-DAT2(SD-09)

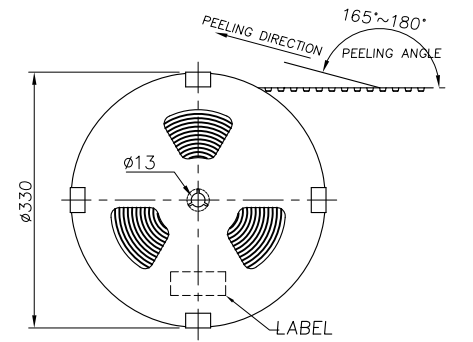
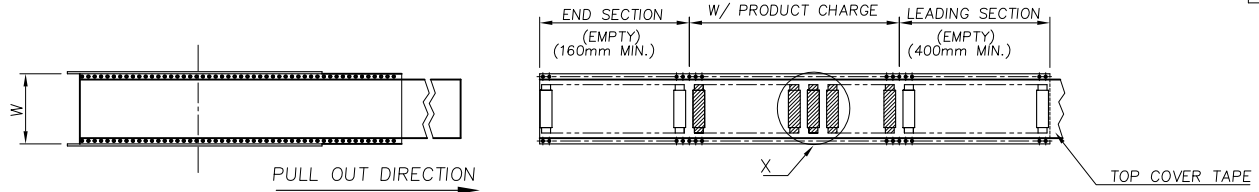


RECOMMENDED PCB LAYOUT
 PCB TOLERANCE: ±0.05

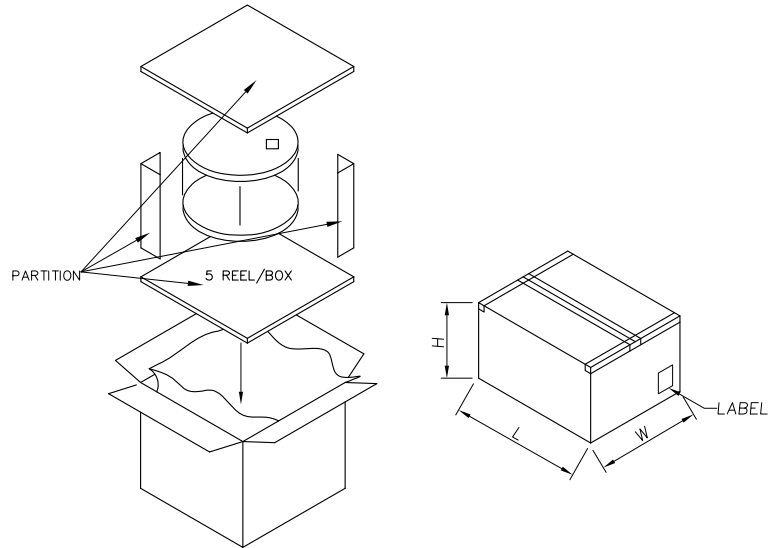
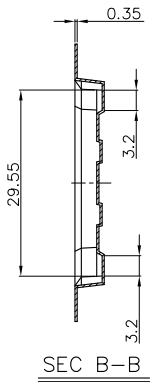
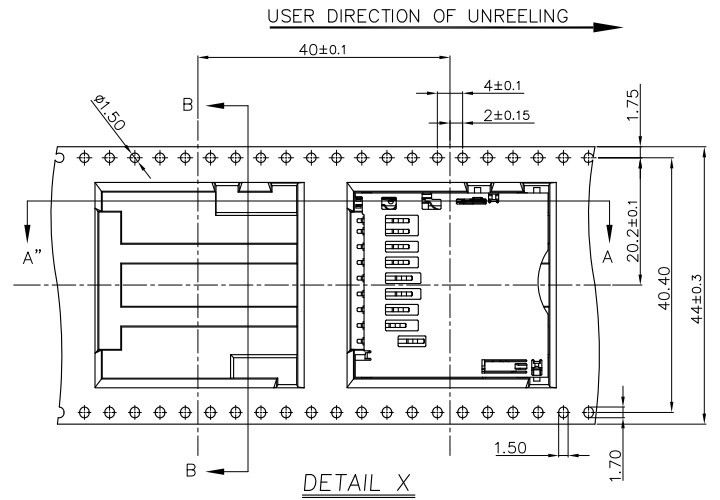
THIS DRAWING IS A CONTROLLED DOCUMENT.		DWN	TE Connectivity			
DIMENSIONS: MM		CHK				
TOLERANCES UNLESS OTHERWISE SPECIFIED:		APVD	NAME			
0 PLC ± - 1 PLC ± - 2 PLC ± - 3 PLC ± - 4 PLC ± - ANGLES ± -		PRODUCT SPEC	SD CARD CONNECTOR, REVERSE TYPE, PUSH-PUSH			
MATERIAL		APPLICATION SPEC	SIZE	CAGE CODE	DRAWING NO	RESTRICTED TO
FINISH		WEIGHT	A3	00779	C=1775059	-
CUSTOMER DRAWING			SCALE	SHEET	4 of 5	REV D

THIS DRAWING IS UNPUBLISHED. RELEASED FOR PUBLICATION AUG .2006.
 © COPYRIGHT 2011 BY TE CONNECTIVITY. ALL RIGHTS RESERVED.

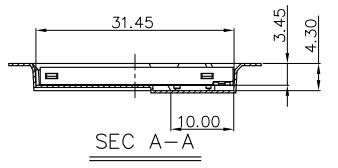
LOC DW	DIST	REVISIONS			
P	LTR	DESCRIPTION	DATE	DWN	APVD
		SEE SHEET 1.			



- NOTES:
- MATERIAL:
 - EMBOSSED CARRIER: PS.
 - COVER TAPE: PS.
 - SHIPPING BOX: CORRUGATED FIBER.
 - DIMENSION:
 - REEL: W= 44.5
 - SHIPPING BOX: L=350, W=350, H=300.
 - QUANTITY:
 - PRIMARY PACKING: 350 PCS/REEL.
 - SECONDARY PACKING: 5 REELS/BOX (1,750 PCS).
 - WEIGHT:
 - NET WEIGHT: 1.1 KG/REEL, 5.54 KG/BOX.
 - GROSS WEIGHT: 1.81 KG/REEL, 9.79 KG/BOX.
 - PEELING RESISTANCE: 40 ~ 60 gf.
 - PEELING SPEED: 300 mm/minutes.



DETAIL X



THIS DRAWING IS A CONTROLLED DOCUMENT.		DWN	TE Connectivity		
DIMENSIONS: MM		CHK			
TOLERANCES UNLESS OTHERWISE SPECIFIED:		APVD	NAME		
0 PLC + -		PRODUCT SPEC	SD CARD CONNECTOR, REVERSE TYPE, PUSH-PUSH		
1 PLC + + -		APPLICATION SPEC	SIZE	CAGE CODE	DRAWING NO
2 PLC + + + -		WEIGHT	A3	00779	C=1775059
3 PLC + + + + -		CUSTOMER DRAWING	RESTRICTED TO		
4 PLC + + + + + -		SCALE	SHEET 5 OF 5 REV D		
ANGLES ± -					
FINISH					