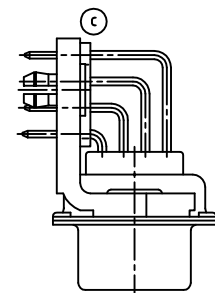
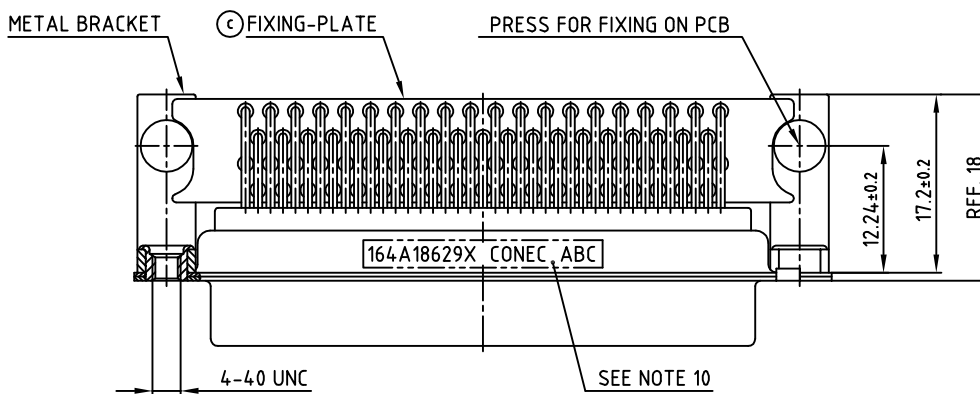
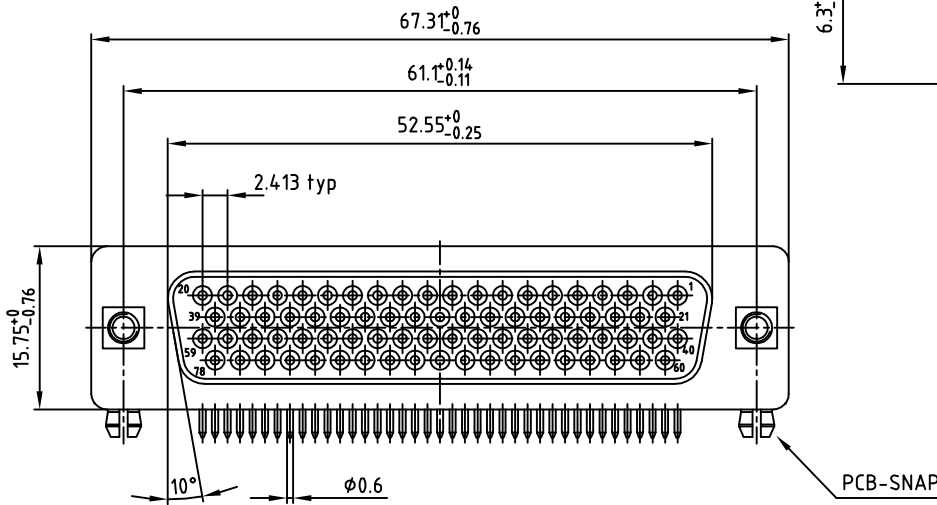
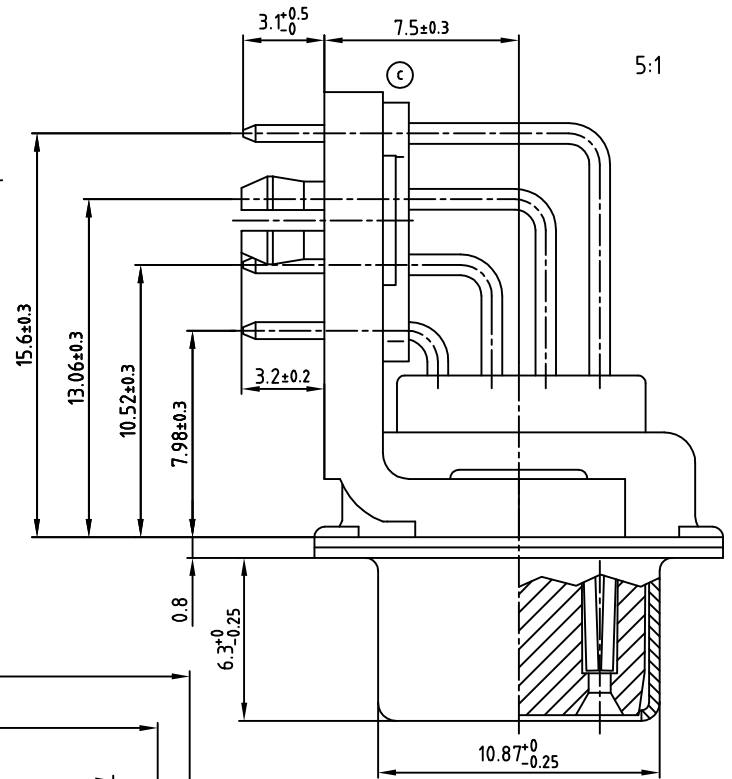


(b) (c)

NOTES:

1. METALSHELLS: STEEL; min. 315µin TIN over 40-80µin NICKEL
2. INSULATORS: PBT GF UL 94 V-0, BLACK
3. CONTACTS: COPPER ALLOY
PLATING: 8µin HARD GOLD over min. 50µin NICKEL
4. METAL BRACKET: STEEL; min. 320µin TIN over 80µin NICKEL
5. THREADED INSERT: COPPER ALLOY; min. 200µin TIN over 80µin NICKEL
6. PCB-SNAP: COPPER ALLOY; min. 200µin TIN over 80µin NICKEL
PCB-HOLE: $\phi 3.1 \pm 0.1$; PCB THICKNESS 1.6mm
7. FIXING-PLATE: PBT GF UL 94 V-0, BLACK
8. P.C.B. HOLE DRILLINGS ON SHEET 2
9. MAXIMUM TORQUE VALUE FOR THREAD: 6 in.LB
10. CONNECTOR IS PART MARKED: **164A18629X CONEC ABC**

used for: D-SUB HD



Directive 2002/95/EC
"RoHS"
Compliant

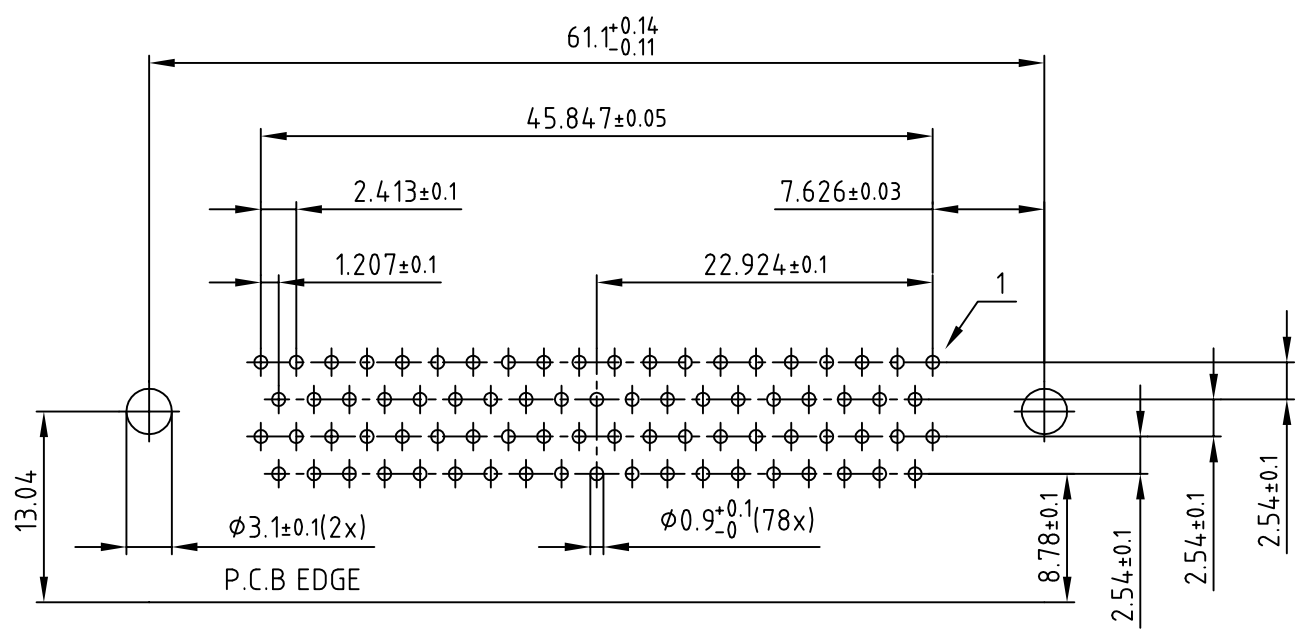
APPROVAL # FREIGABE # DEBLOCAGE # AUTORIZACION # APPROVAL	
CUSTOMER APPROVAL DATE:	
NAME:	TITLE:
COMPANY NAME:	
APPROVAL # FREIGABE # DEBLOCAGE # AUTORIZACION # APPROVAL	

THIS DRAWING MAY NOT BE COPIED OR REPRODUCED IN ANY WAY, AND MAY NOT BE PASSED ON TO A THIRD PARTY, WITHOUT WRITTEN PERMISSION.
OWNERSHIP AND COPYRIGHT OF CONEC GmbH
DO NOT ALTER CAD DRAWING BY HAND

tolerance	dim. in mm	
1999	date	name
drawn	19.04.	Barcinski
appd.	19.04	Mickenbecker
norm		
4 x c	Ä 3189	19.11.08 Lehmen, d-old
1 x b	Ä 2650	12.01.07 ES
a	Origin	
rev.	description	date name

scale:	2:1 (5:1)	
material:	SEE NOTES	
title:	D-SUB HD FEMALE 90° 0.314inch 78pos. threaded insert,metal bracket,fixing-plate,snap	
dwg no:	AutoCAD 2000	DIN-A
	16K11HZA	3
part no:	164A18629X	
		sh:1/2

used for: D-SUB HD



(b)

APPROVAL # FREIGABE # DEBLOCAGE # AUTOR/ZACION # APPROVAL	
CUSTOMER APPROVAL DATE:	
NAME:	TITLE:
COMPANY NAME:	
APPROVAL # FREIGABE # DEBLOCAGE # AUTOR/ZACION # APPROVAL	

THIS DRAWING MAY NOT BE COPIED OR REPRODUCED IN ANY WAY, AND MAY NOT BE PASSED ON TO A THIRD PARTY WITHOUT WRITTEN PERMISSION. OWNERSHIP AND COPYRIGHT OF CONEC GmbH DO NOT ALTER CAD DRAWING BY HAND

tolerance			
1999	date	name	
drawn	19.04.	Barcinski	
appd.	19.04.	Mickenbecker	
norm			
d-old			
1 x b	Ä 2650	12.01.2007	ES
a	Origin		
rev.	description	date	name



scale:	2:1
material:	SEE SHEET 1
title:	P.C.B. HOLE DRILLINGS D-SUB HD FEMALE 90° 78pos. threaded insert, metal bracket, fixing-plate, snap
dwg no:	AutoCAD 2000
	16K1IHZA
part no:	SEE SHEET 1

DIN-A
4
sh:2/2