

Peak Emission Wavelength: 365nm

The MTE3650L4-UV-HP emitter is specifically designed for applications requiring high radiant power output and accuracy in a TO-39 hermetically sealed package with a special UV glass lens for optimum life time and device performance. Custom package solutions and sorting are available.

FEATURES

- > Hermetically Sealed TO-39
- > High Reliability
- > Wide Viewing Angle

APPLICATIONS

- > Color Sensor (Money-Bill)
- > Bio Medical Sensing
- > UV Curing



Absolute Maximum Ratings (Ta=25°C)

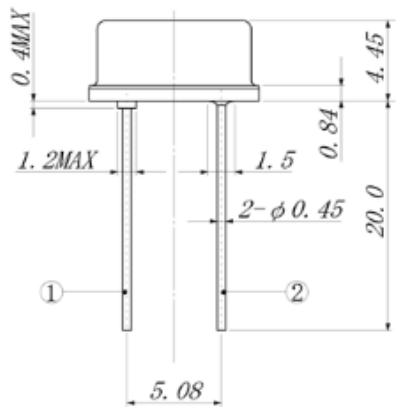


ITEMS	SYMBOL	RATINGS	UNIT
Forward Current (DC) *3	IF	300	mA
Forward Current (Pulse) *1	IFP	1	A
Reverse Voltage	VR	5	V
Power Dissipation	PD	1200	mW
Operating Temperature	Topr	-20 to +80	°C
Storage Temperature	Tstg	-40 to +100	°C
Soldering Temperature *2	Tsol	260	°C

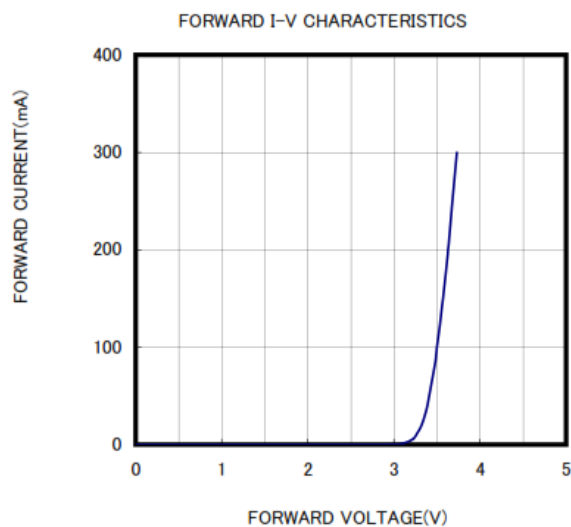
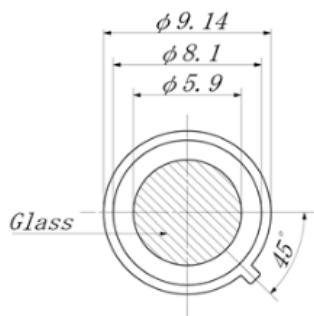
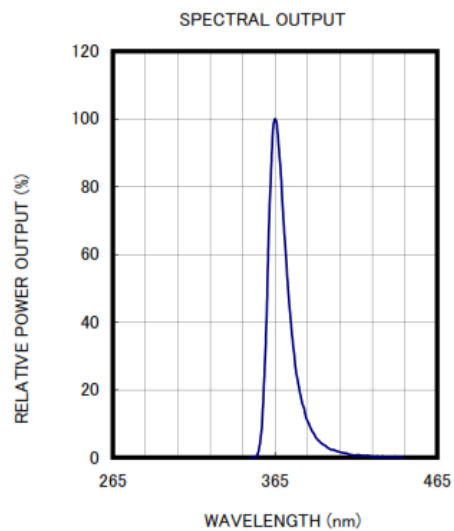
*1 Tw=10uS, T=10mS *2 Time 5 Sec max, Position: Up to 3mm from the body. *3 Must be properly heat sunked.

Electrical & Optical Characteristics (Ta = 25°C)

ITEMS	SYMBOL	CONDITIONS	MIN.	TYP	MAX.	UNIT
Peak Wavelength	λ_p	IF=100mA	--	365	--	nm
Power Output	PO	IF=100mA	--	70	--	mW
Spectral Line Half Width	$\Delta\lambda$	IF=100mA	--	15	--	nm
Forward Voltage	VF	IF=100mA	--	3.5	4.0	V
Reverse Current	IR	VR=5V	--	--	100	uA
Viewing Angle	$2\theta_{1/2}$	IF=100mA	--	90	--	deg



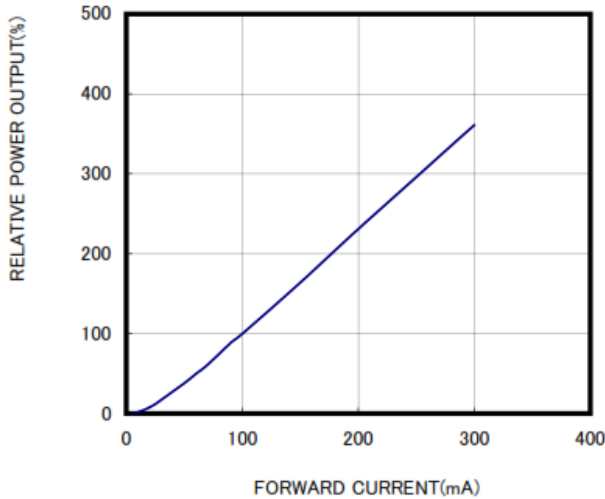
① Anode ② Cathode



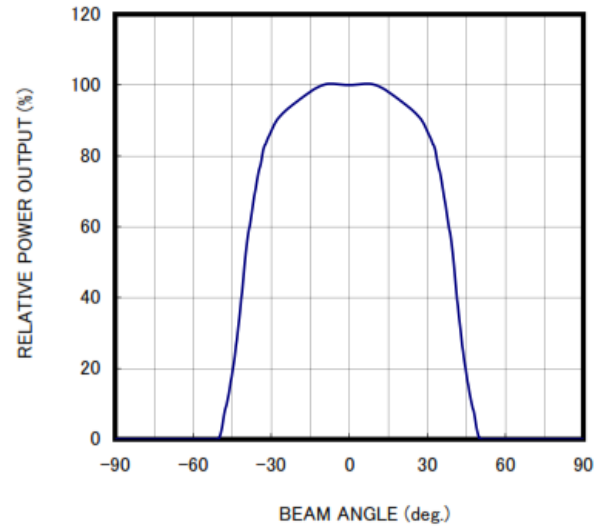
Unit: mm

2017-08-09

RELATIVE POWER vs FORWARD CURRENT



RADIATION PATTERN



CAUTION

1. LEDs emit very strong UV radiation during operation.
2. Don't look directly into the LED light when in operation as UV radiation can harm your eyes.
3. To prevent even inadequate exposure, wear protective eyewear.
4. If LEDs are embedded in devices, please indicate warning labels against the UV LED used.
5. Avoid prolonged exposure to skin or other tissue during operation.
6. Keep out of reach of children.
7. Take appropriate precautions around pets and other living organisms to avoid UV exposure.
8. Specification and dimension are subject to change without notice.