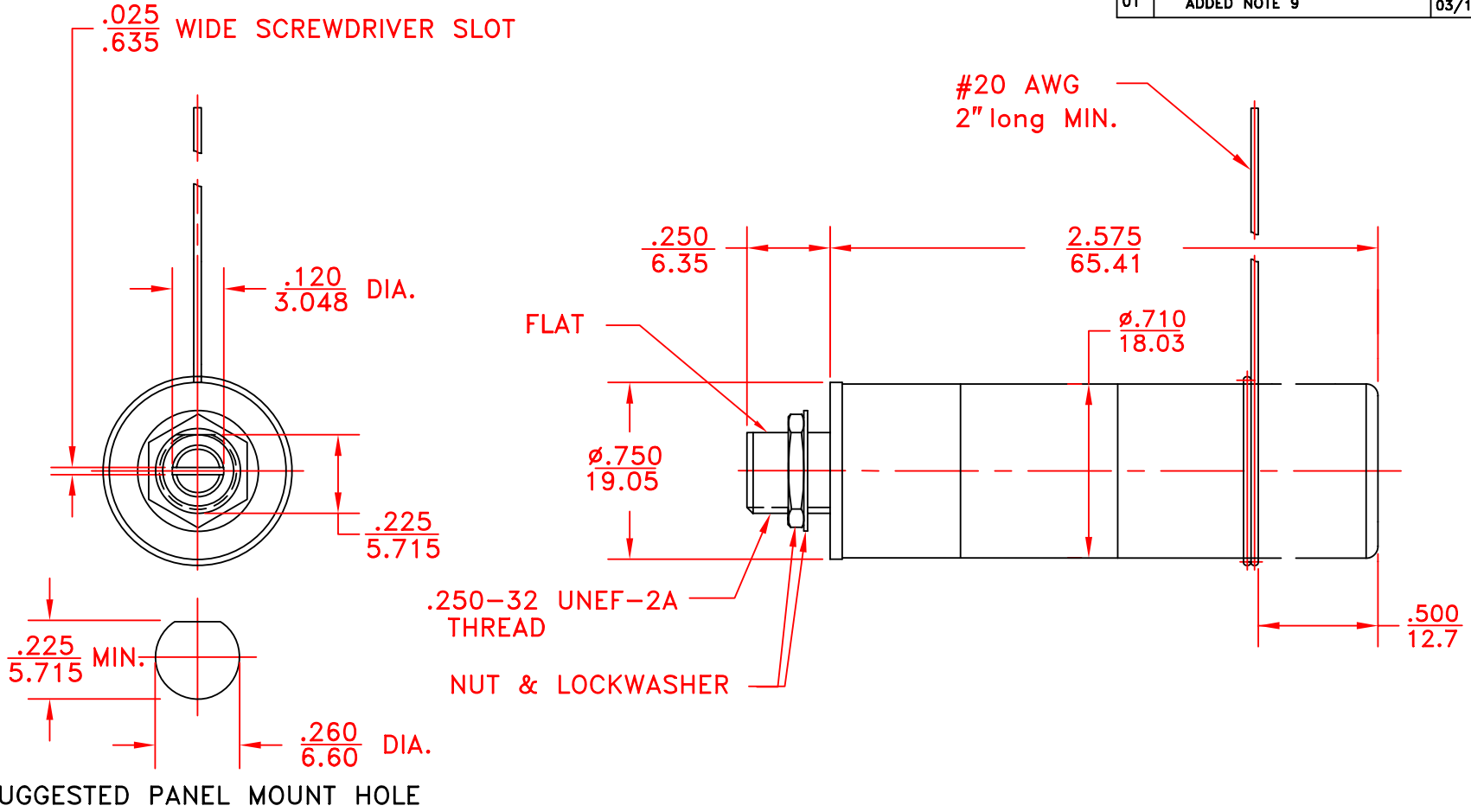


REV	DESCRIPTION	DATE	APP
00	NEW DWG	04/08/09	D.D.
01	ADDED NOTE 9	03/14/12	D.D.



NOTES:

1. CAPACITANCE RANGE: $C_{min} \leq 10.0$ pF, $C_{max} \geq 100$ pF.
2. WORKING VOLTAGE: 6,000 VDC.
3. WITHSTANDING VOLTAGE: 12,000 VDC.
4. $Q \geq 500 @ 25\text{MHZ}$
5. TORQUE: 0.5 TO 5.0 oz-in.
6. OPERATING TEMPERATURE: -55°C UP TO 125°C .
7. CONSTRUCTION: 40 psi sealed, non magnetic.
8. DIMENSIONS: in/mm
9. ROTATIONAL LIFE: 10,000 TURNS

TOLERANCES: (EXCEPT AS NOTED)	SPRAGUE GOODMAN ELECTRONICS INC. 1700 SHAMES DRIVE WESTBURY, NY 11590		
	MATERIAL:	SCALE: NONE	DRAWN BY: R. LEVIN APPROVED: D. DITLYA
DECIMAL: $\pm .005$ in $\pm .130$ mm	TITLE: OUTLINE DWG SGNMNC31006		USED FOR:
FRACTIONAL: 1/64	DATE: 04/08/09	DRAWING NUMBER SGNMNC31006	REV. 01