

5

4

3

2

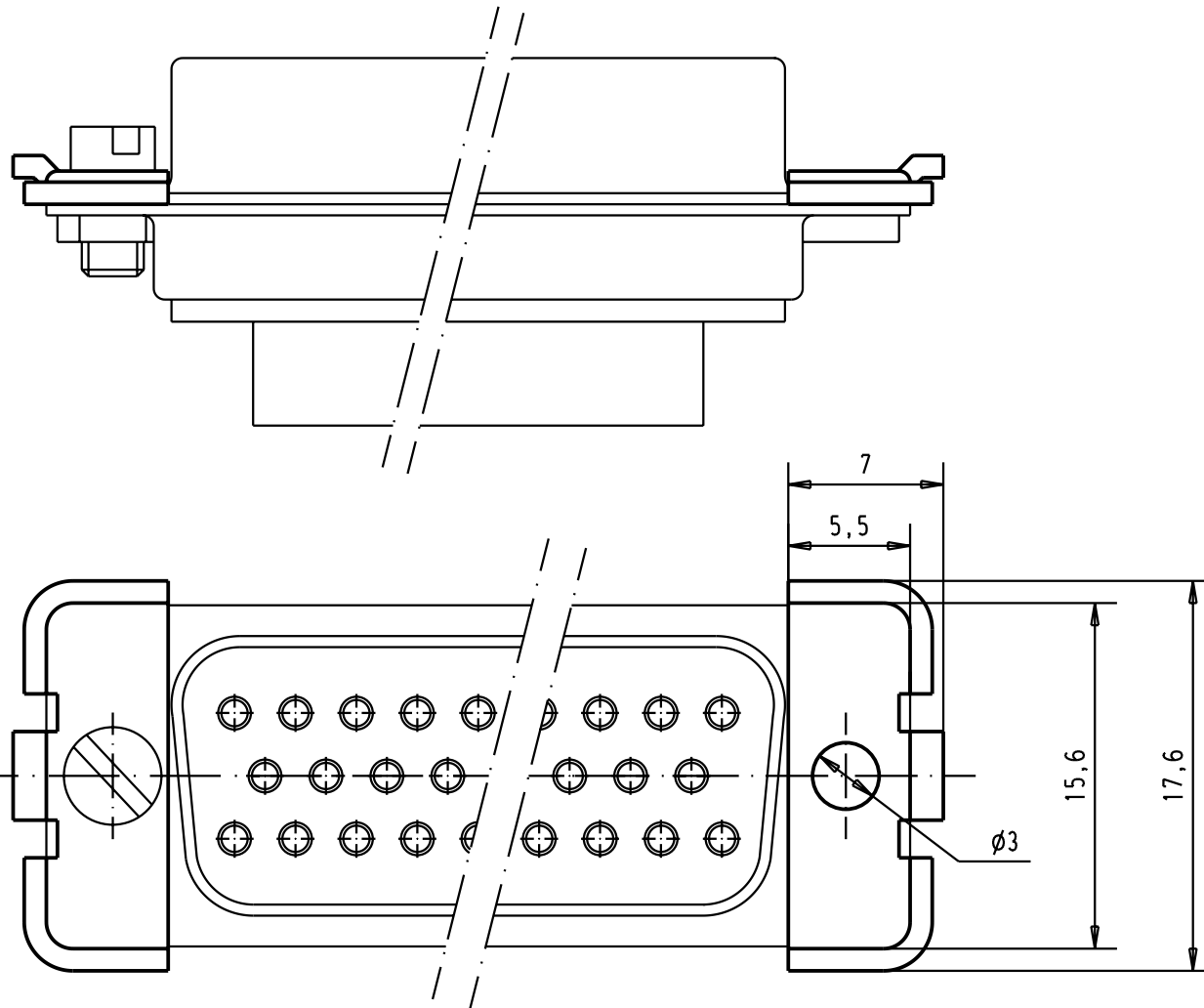
1



D

C

B

A



			DoI.	Name	 All Dim. in mm Orig. Size DIN A 4	Fixed latch, 50 poles corrosion resistant steel	Moßstab/ Scale	
			Detail.	12-07-95			MF	
29760	28-MAR-02	CV	Insp.				TB 09670019972	Blatt/ Page 1 /
16445	14-08-95	MF	Stand.					
16443	26-07-95	ST	HARTING EURL F-95972 Paris					
16441	12-07-95	MF						
Mod.	DoI.	Name						
						Sub.		