



LAYOUT SHOWN AS EXAMPLE

Keying Shown as example

**CHARACTERISTICS**

- Standard : Based on MIL-DTL-38999 Series III
- Shell Material : Stainless Steel
- Shell Plating : Passivated
- Insulator : Thermoplastic
- Contacts : Copper Alloy
- Seals & Grommet : Silicon Elastomer
- Contact Plating : Gold over copper Alloy 0.8µm minimum
- Durability : 500 Mating cycles
- Delivered with Souriau contacts and Accessories
- Temperature Range : -65°C to +200°C
- Salt Spray : 500 hours

| Connector dimension |               |
|---------------------|---------------|
| Dim                 | Nominal       |
| P                   | 3.25±0.2      |
| PP                  | 4.93±0.2      |
| R1                  | 23.01         |
| R2                  | 20.62         |
| S                   | 28.6±0.3      |
| V                   | 20.83+0/-1.25 |
| W                   | 2.1/2.5       |
| Z                   | 31.5 Max      |
| VV THREAD           | M18x1-6g      |

SOURIAU shall not be liable for any non-conformity or damage due to a use of the Products which does not comply with the Specifications issued by either of the Parties or by a third party (professional recommendation, technical notice.)

|         |                             |
|---------|-----------------------------|
| Country | Jurisdiction & Control List |
| FR      | Not Listed                  |

**PN: 8D013K03SN**

|                |   |  |                               |
|----------------|---|--|-------------------------------|
| A              | 15-10-2016                                  | First Release  |                               |
| ISS            | DATE  | Latest modification - by   | MOD N°                        |
| Designed By:   |   | Date:  | <b>CUSTOMER DRAWING</b>       |
| <b>TITLE</b>   | <b>Stainless Steel Receptacle 8D series</b> |  |                               |
| SCALE          |   | General linear Tolerances: ±--   | NPRDS / PROJECT<br><b>859</b> |
| NA             |   | This document is the property of SOURIAU<br>it must not be reproduced or communicated without permission |                               |
| <b>SOURIAU</b> | <b>WWW.SOURIAU.COM</b>                      |  |                               |
| FORMAT         | <b>SOURIAU DRG N° 8D013K03SN-C</b>          |  | SHEET<br>1/2                  |

BASIC SERIES: 8D 0 - 13 K 03 S N

SHELL TYPE : Square Flange Receptacle

CONTACT TYPE : Standard Crimp Contact

SHELL SIZE : 13

PLATING : K = Passivated

ORIENTATION : N

CONTACT TYPE : SOCKET(500 Matings)

CONTACT LAYOUT : 13-03

Contact Layout

03



3#16

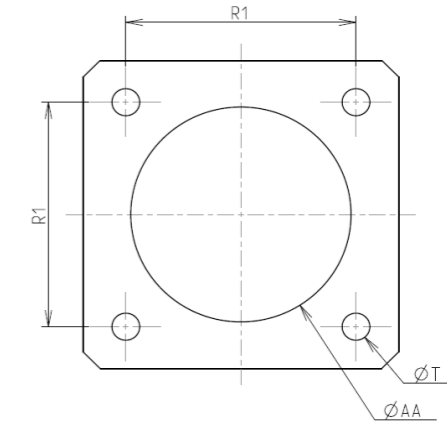
| 13-03 |       |       |
|-------|-------|-------|
| Ctc   | X     | Y     |
| A     | 2.39  | 1.47  |
| B     | 0     | -2.79 |
| C     | -2.39 | 1.47  |

Panel Cutout

SQUARE FLANGE RECEPTACLE (TYPE 0)  
REAR MOUNTING



SQUARE FLANGE RECEPTACLE (TYPE 0)  
FRONT MOUNTING



| Dim | Nominal    |
|-----|------------|
| ØA  | 23.42 min  |
| ØAA | 19.05 min  |
| R1  | 23.01      |
| ØT  | 3.25 ±0.13 |

SOURIAU shall not be liable for any non-conformity or damage due to a use of the Products which does not comply with the Specifications issued by either of the Parties or by a third party (professional recommendation, technical notice.)

| Country | Jurisdiction & Control List |
|---------|-----------------------------|
| FR      | Not Listed                  |

PN: 8D013K03SN

|                |   |                            |   |
|----------------|---|----------------------------|---|
| A              | 15-10-2016                                  | First Release              |   |
| ISS            | DATE  | Latest modification - by   | MOD N°  |
| Designed By:   |   | Date:                      | <b>CUSTOMER DRAWING</b>   |
| <b>TITLE</b>   | <b>Stainless Steel Receptacle 8D series</b> |                            |   |
| SCALE          |   | General linear Tolerances: | NPRDS / PROJECT   |
| NA             |   | ±--                        | <b>859</b>  |
| <b>SOURIAU</b> | <b>WWW.SOURIAU.COM</b>                      |                            | This document is the property of SOURIAU it must not be reproduced or communicated without permission |
| FORMAT         | <b>SOURIAU DRG N° 8D013K03SN-C</b>          |                            | SHEET 2/2   |