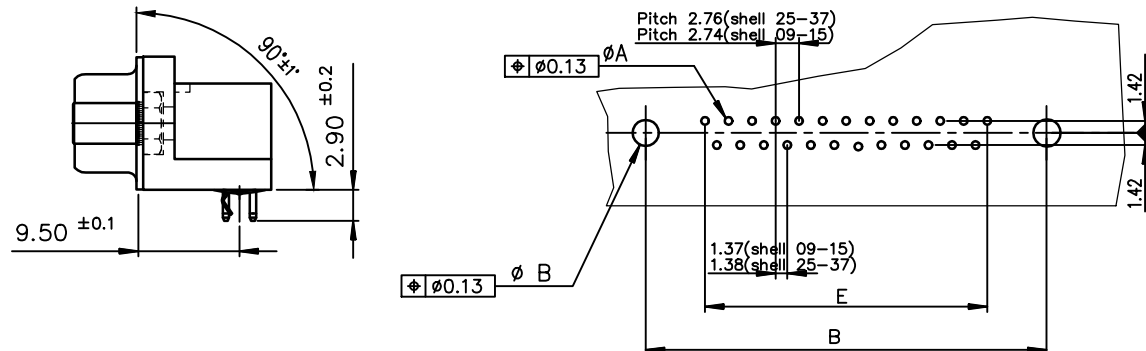
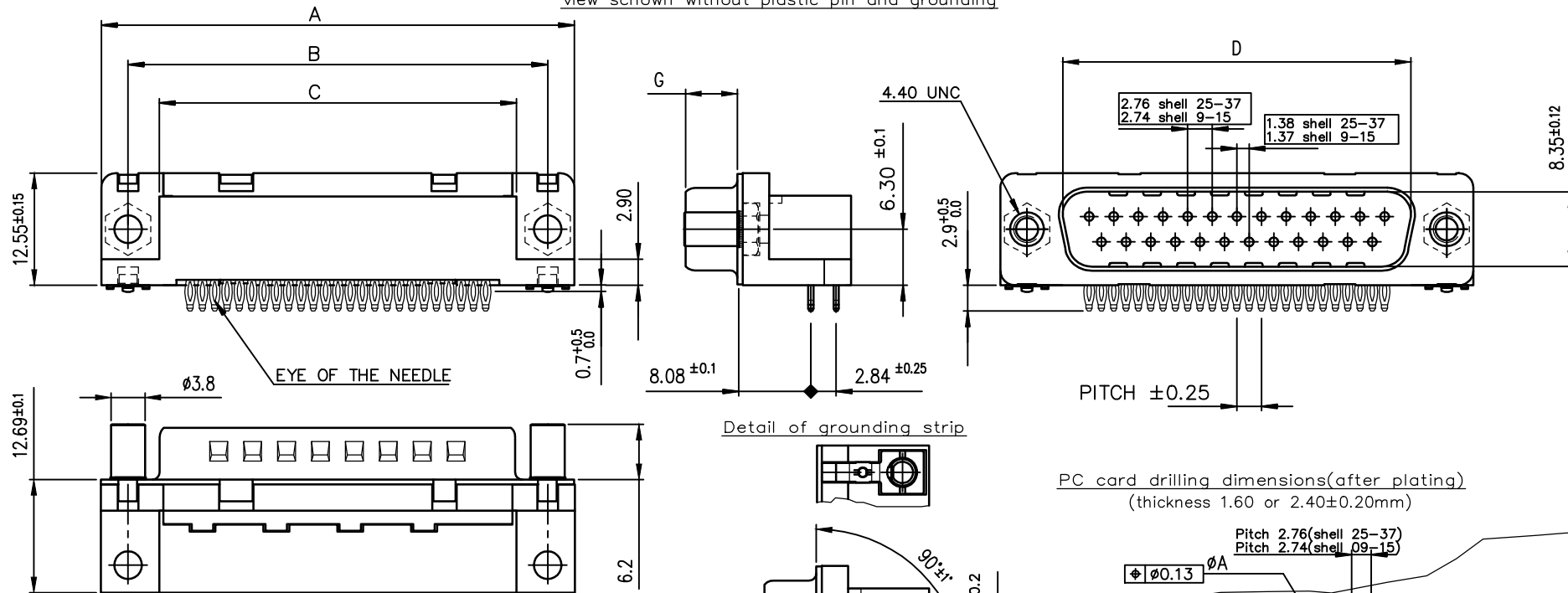


view shown without plastic pin and grounding



TIN LEAD PART NUMBER

SHELL	A±0.38	B±0.12	C±±0.10	D +0.25	E±0.07	G	PART NUMBER	PART NUMBER
09	30.81	24.99	18.00	16.79	10.96	5.90 +0.15	--	D09P80C6UV00
15	39.14	33.32	26.32	25.12	19.18	5.90 +0.15	--	--
25	53.03	47.04	40.04	38.84	33.12	5.70 +0.25	--	--
37	69.32	63.50	56.50	55.30	49.68	5.70 +0.25	--	--
							Gold flash	0,76 » gold

LEAD FREE PART NUMBER

SHELL	A±0.38	B±0.12	C±±0.10	D +0.25	E±0.07	G	PART NUMBER	PART NUMBER
09	30.81	24.99	18.00	16.79	10.96	5.90 +0.15	--	D09P80C6UV00LF
15	39.14	33.32	26.32	25.12	19.18	5.90 +0.15	--	--
25	53.03	47.04	40.04	38.84	33.12	5.70 +0.25	--	--
37	69.32	63.50	56.50	55.30	49.68	5.70 +0.25	--	--
							Gold flash	0,76 » gold

GENERAL CHARACTERISTICS AND ROHS INFORMATIONS:

SEE DRAWING C01-8646-0001

mat'l. code		surface		tolerance		projection		product family	
-		ISO 1302		ISO 406 ISO 1101		D-SUB		D-SUB	
litr		ecn no		dr		date		title	
E		ELX-I-17859		MP		2014/06/06		MALE CONNECTOR DELTA-D US RIGHT ANGLED PRESS FIT	
angles		linear		tolerances unless otherwise specified		MM		dwg no	
0°±2'		.0±0.1		.00±0.1		scale 2:1		sheet 1 of 1 size	
dr		engr		chr		appd		A3	
JOUBERT		MITHUN PAUL		ALIAS BABU		BIJU K PAUL		C01-8646-0799	
2002/10/15		2014/06/06		2014/06/06		2014/06/04		type	
								Product Customer Drawing	
sheet index		revision sheet		E		1			



Copyright FCJ