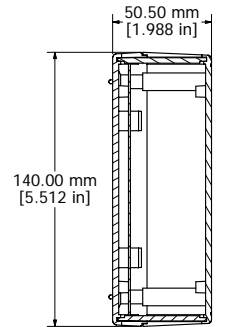
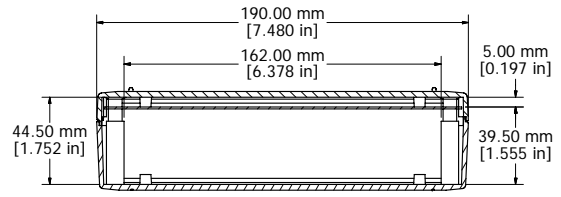
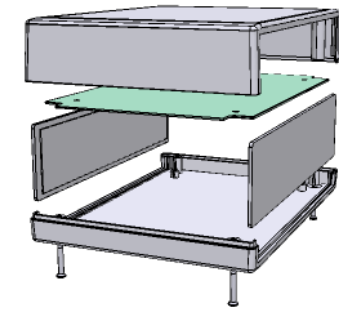


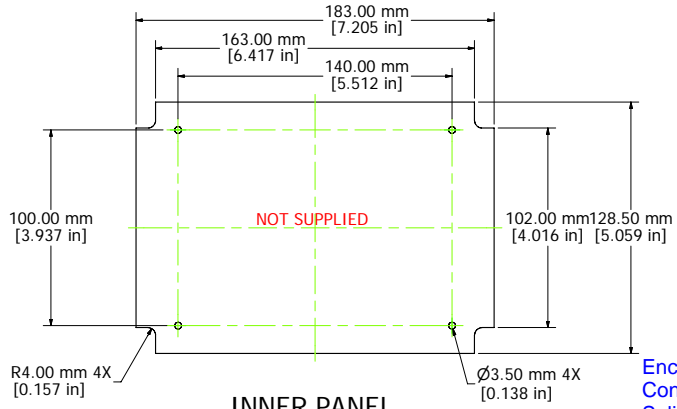
ASSEMBLY - TOP



SECTION A-A

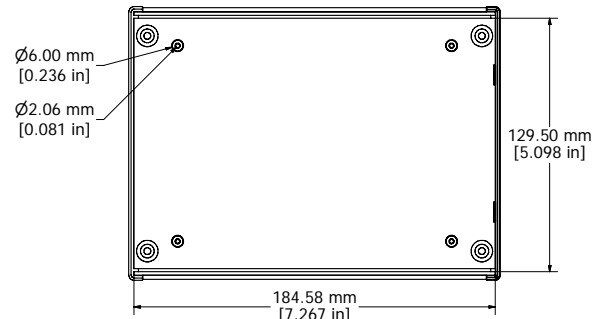


SECTION B-B

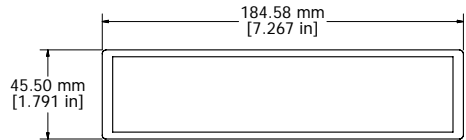


INNER PANEL

Enclosures can be Factory Modified (Milling, Drilling, Printing etc.)
 Contact Factory mjm@hammondmfg.com for quotes
 Solid models of this enclosure available in STEP or IGES.



BASE - INSIDE



SIDE PANEL

RM2055M
Material: ABS (UL94-HB), Light Gray color
Lid Screws: M3 x 20
Circuit Board Screws, 4 Supplied (M3 self tap)
Suggested Lid Screw Torque: 30 ozf-in (21 cN-m)

HAMMOND MANUFACTURING™
RM2055M
www.hammondmfg.com