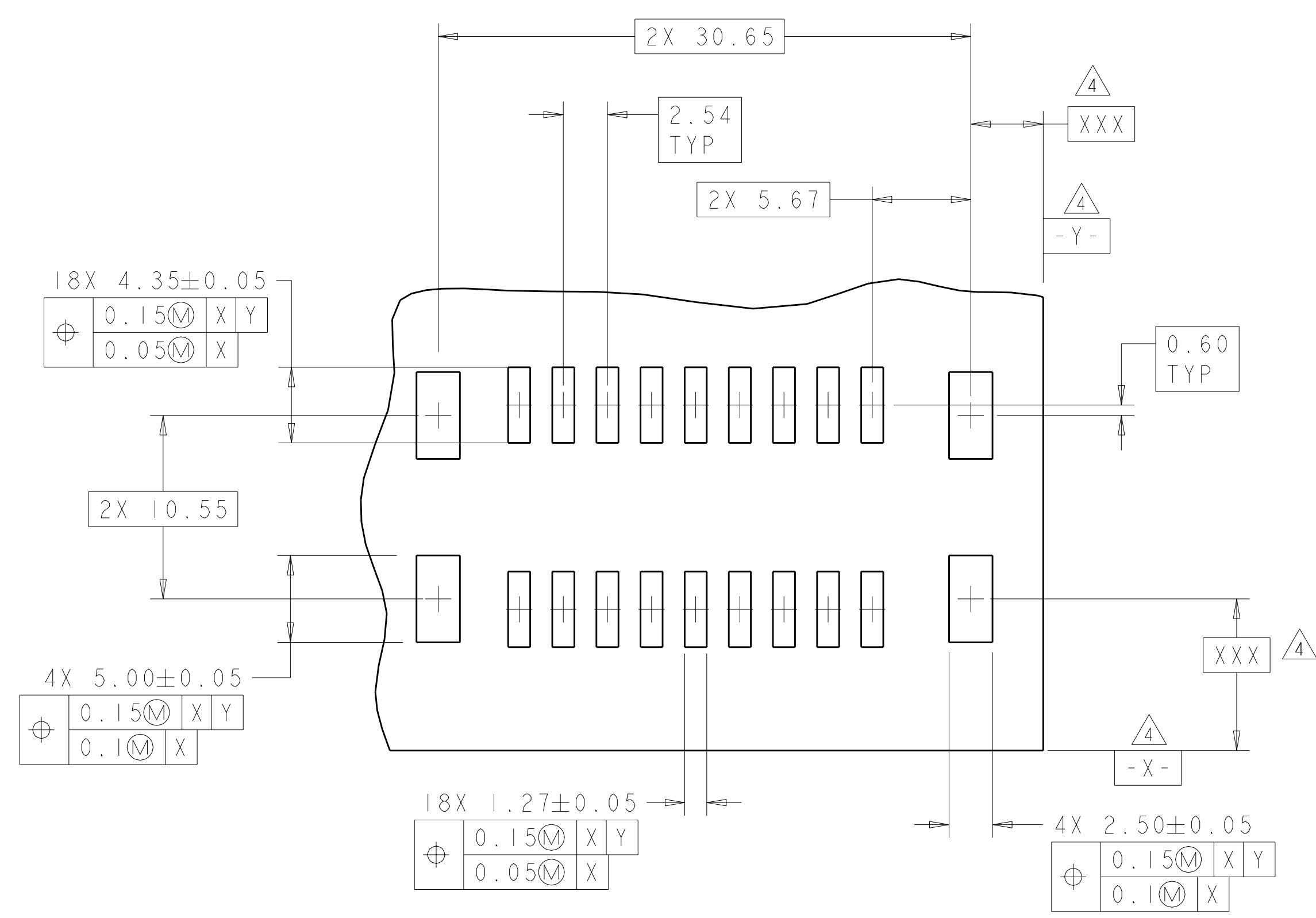
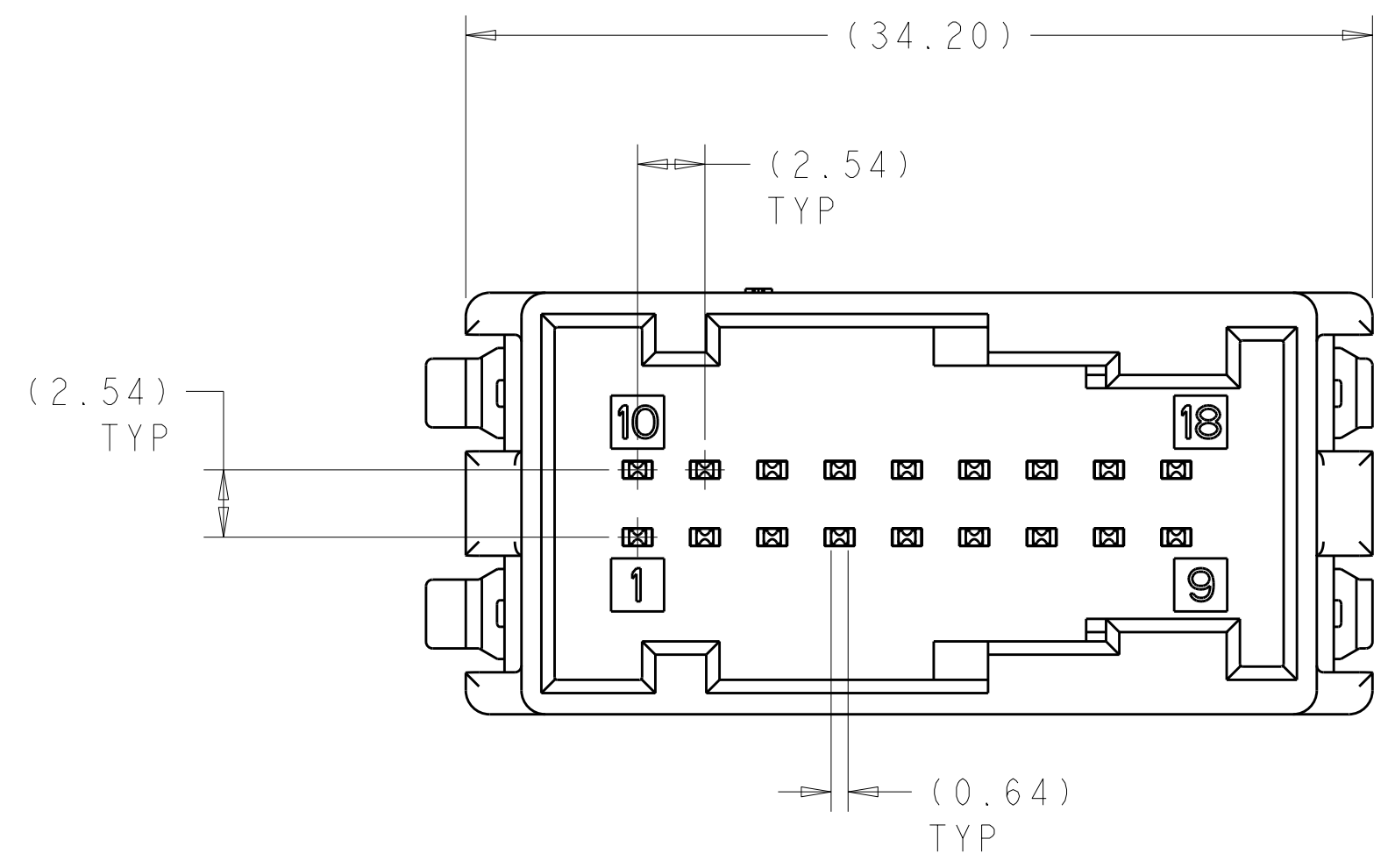
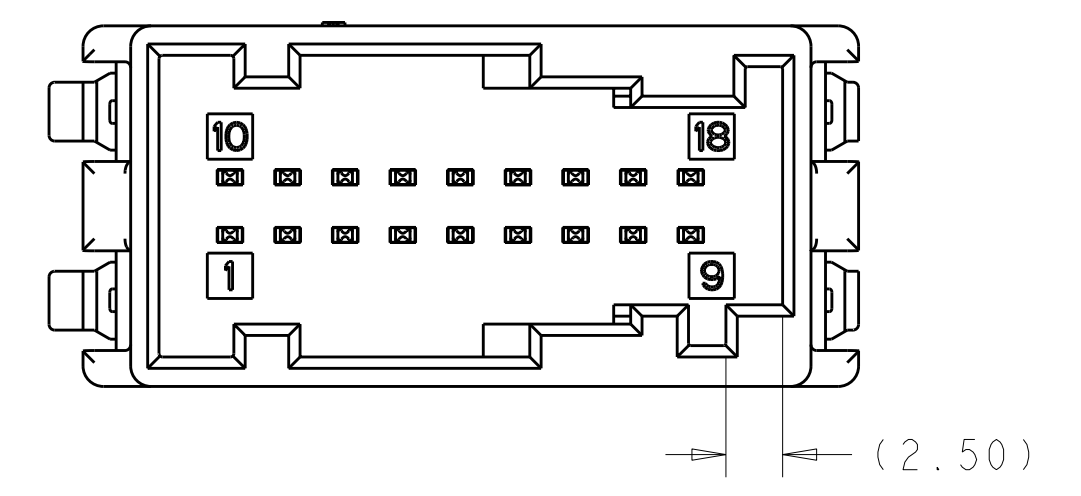


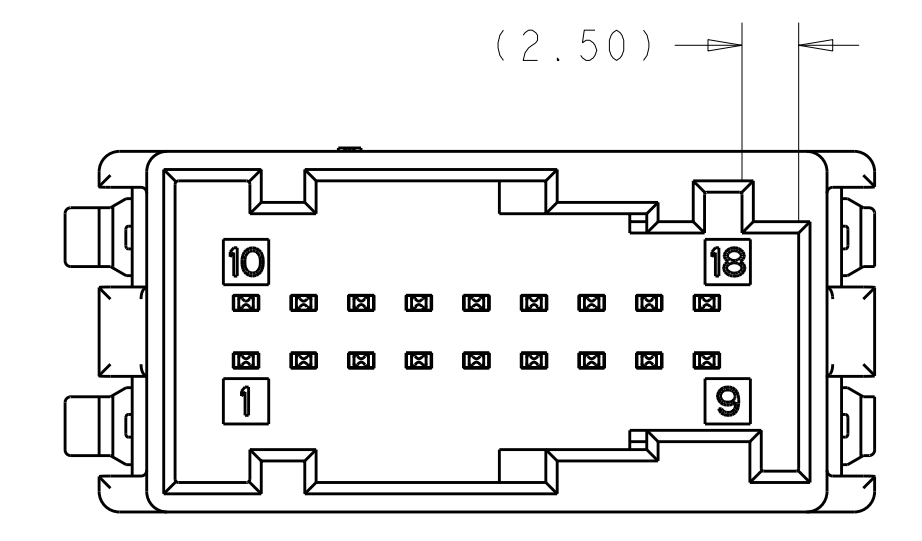
LOC	DIST	REV	DATE	BY	APPD
IN	00	A	19OCT2005	HM	DF
		B	30JAN2007	AH	MT
		C	10OCT2007	AH	MT
		C1	31MAY2010	VSS	CS



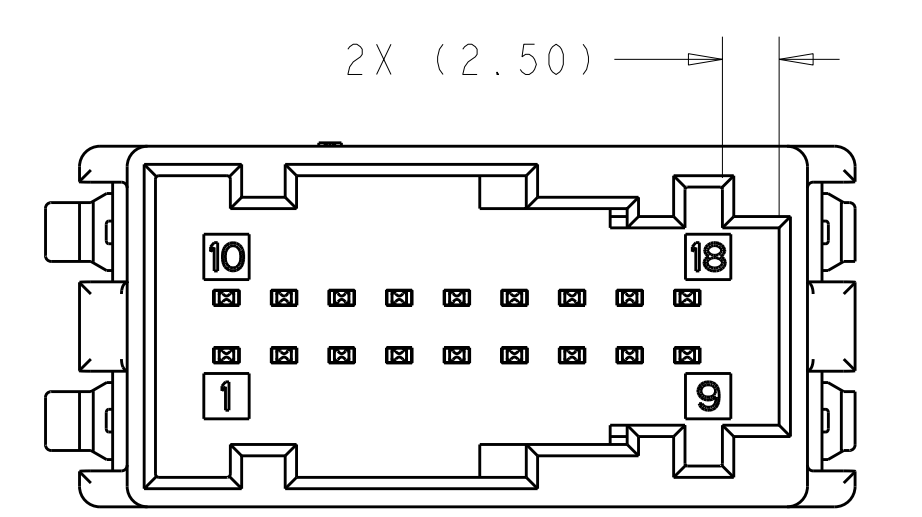
RECOMMENDED PC BOARD LAYOUT
 CONNECTOR SIDE OF BOARD
 SCALE 4:1



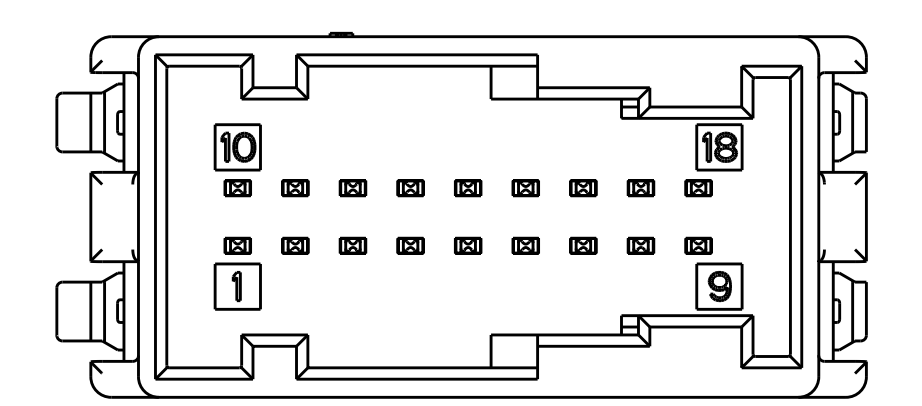
KEYING CODE "CE"
 SCALE 3:1



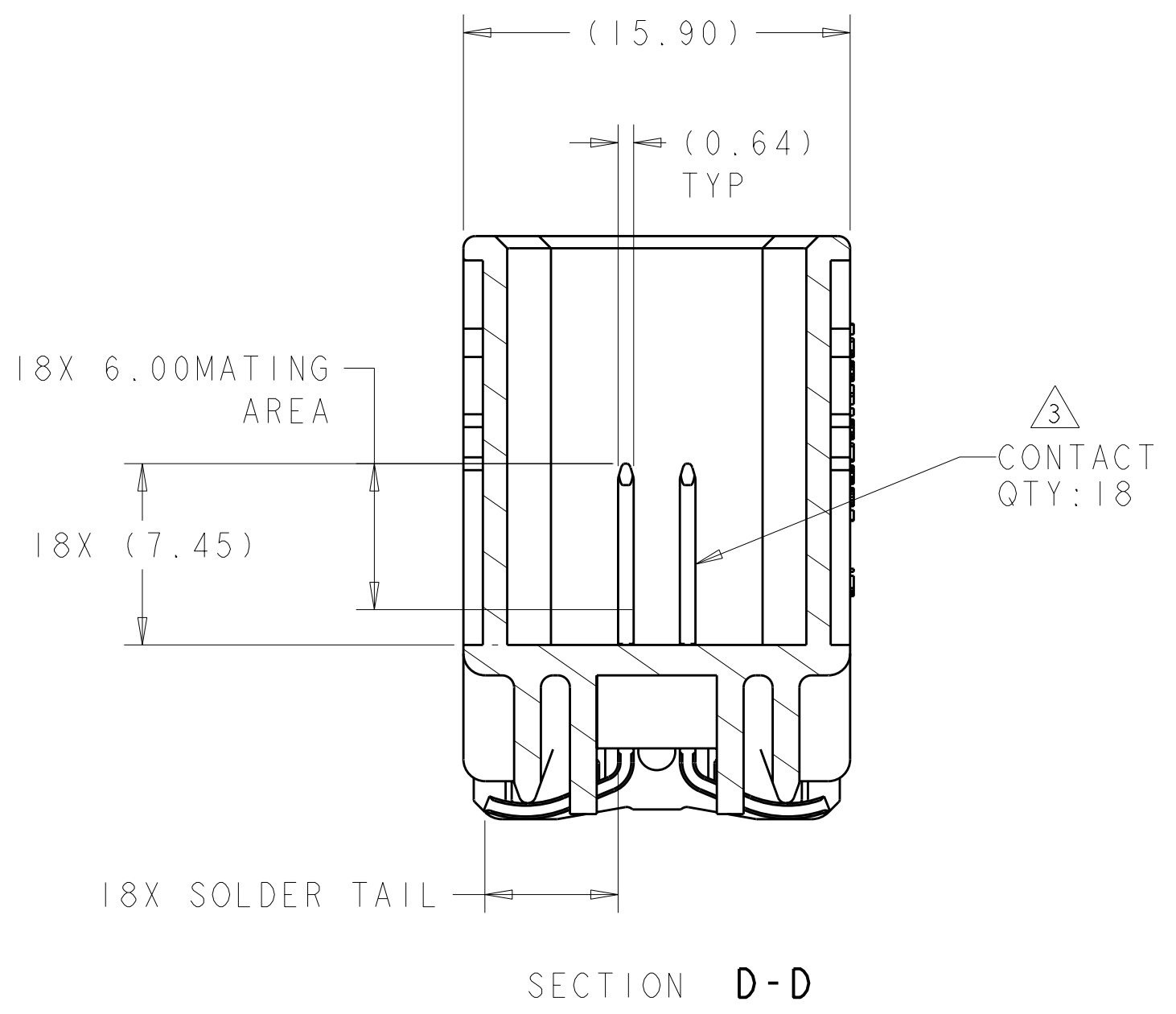
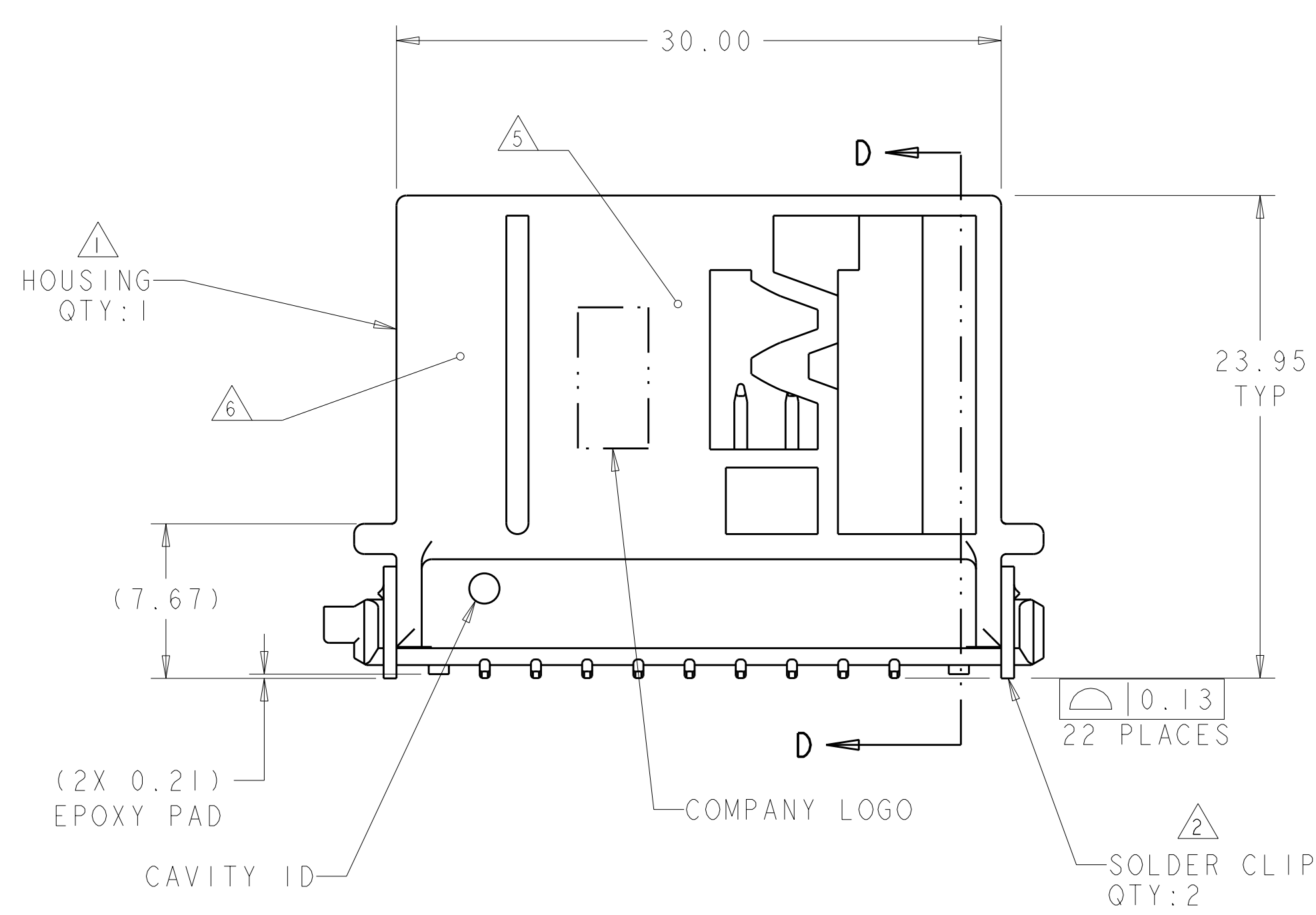
KEYING CODE "BF"
 SCALE 3:1



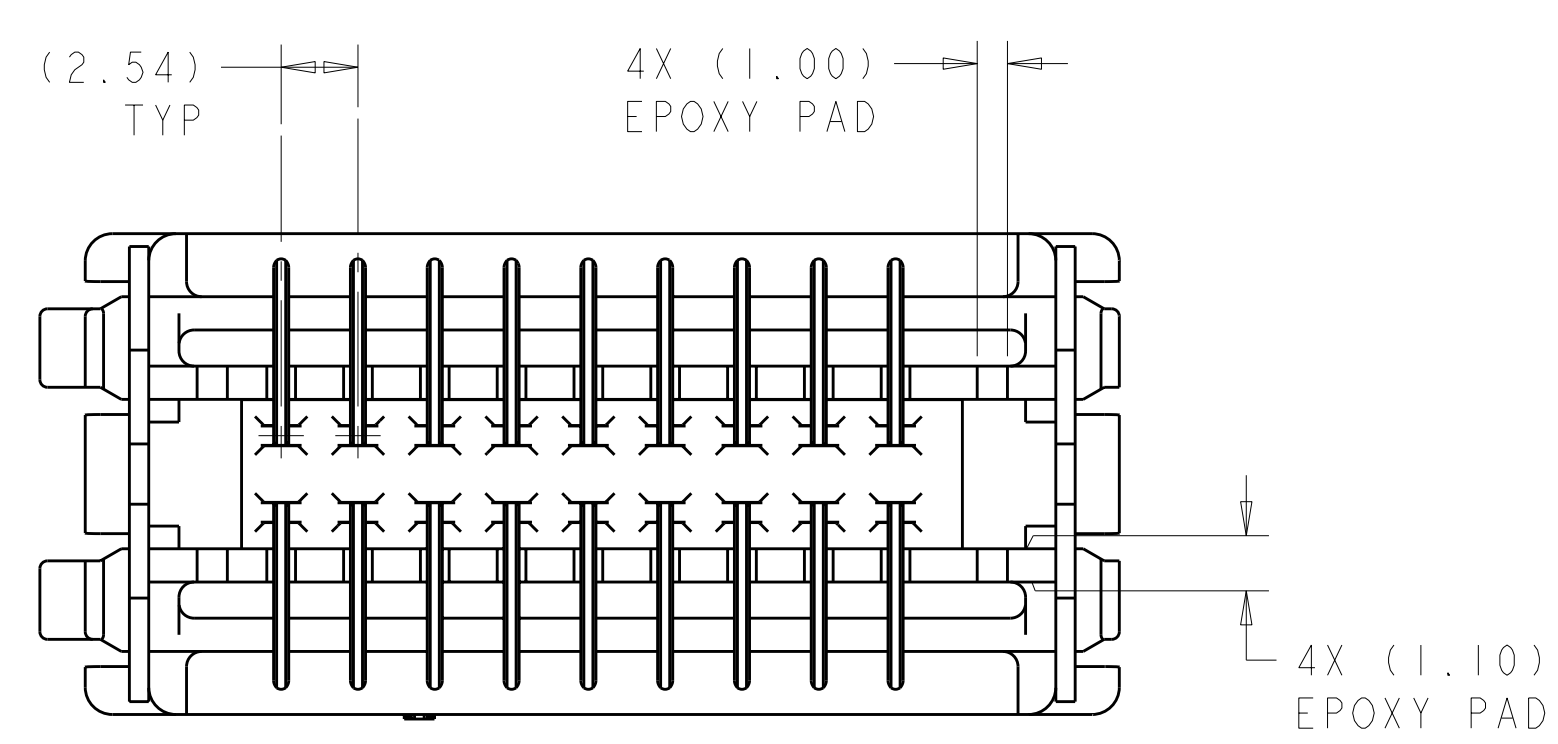
KEYING CODE "BE"
 SCALE 3:1



KEYING CODE "CF"
 SCALE 3:1



SECTION D-D



- ① HOUSING: PCT, COLOR - SEE TABLE
 CONTACTS: BRASS
 SOLDER CLIP: BRASS
- ② SOLDER CLIP: 3.8µm MIN TIN OVER 1.27µm MIN NICKEL
- ③ CONTACT: 0.8µm MIN TIN IN MATING AREA AND 2.5µm MIN TIN IS SOLDER TAIL ALL OVER 1.00µm NICKEL
- ④ DATUMS AND BASIC DIMENSIONS ESTABLISHED BY THE CUSTOMER
- ⑤ ASSEMBLY DATE CODE SIDE OR END.
- ⑥ PRODUCT PART NUMBER SIDE OR END.
- ⑦ PRELIMINARY PART NUMBER, NOT RELEASED FOR PRODUCTION.

NON RETURNABLE	KEYING CODE "BE"	NATURAL	1-1438543-2
NON RETURNABLE	KEYING CODE "CF"	BLACK	1-1438543-1
RETURNABLE	KEYING CODE "CE"	GREEN	1438543-4
RETURNABLE	KEYING CODE "BF"	PURPLE	1438543-3
RETURNABLE	KEYING CODE "BE"	NATURAL	1438543-2
RETURNABLE	KEYING CODE "CF"	BLACK	1438543-1
PACKAGE TUBE	KEYING CODE	COLOR	PART NUMBER

DIMENSIONS: mm		TOLERANCES UNLESS OTHERWISE SPECIFIED:		DWN: H. MOLL 04DEC2003		Tyco Electronics Tyco Electronics Harrisburg, PA 17105-3608	
9 PLC	±	0.25		CHK: D. FRY 17MAY2004	NAME: D. FRY	PRODUCT SPEC: -	APVD: D. FRY 26APR2004
5 PLC	±	0.25		APPLICATION SPEC: -			
4 PLC	±	0.25		WEIGHT: -			
ANGLES	±	0.25		MATERIAL: -			
FINISH: SEE CALLOUTS		CUSTOMER DRAWING		SCALE: 3:1		SHEET 1 OF 1	