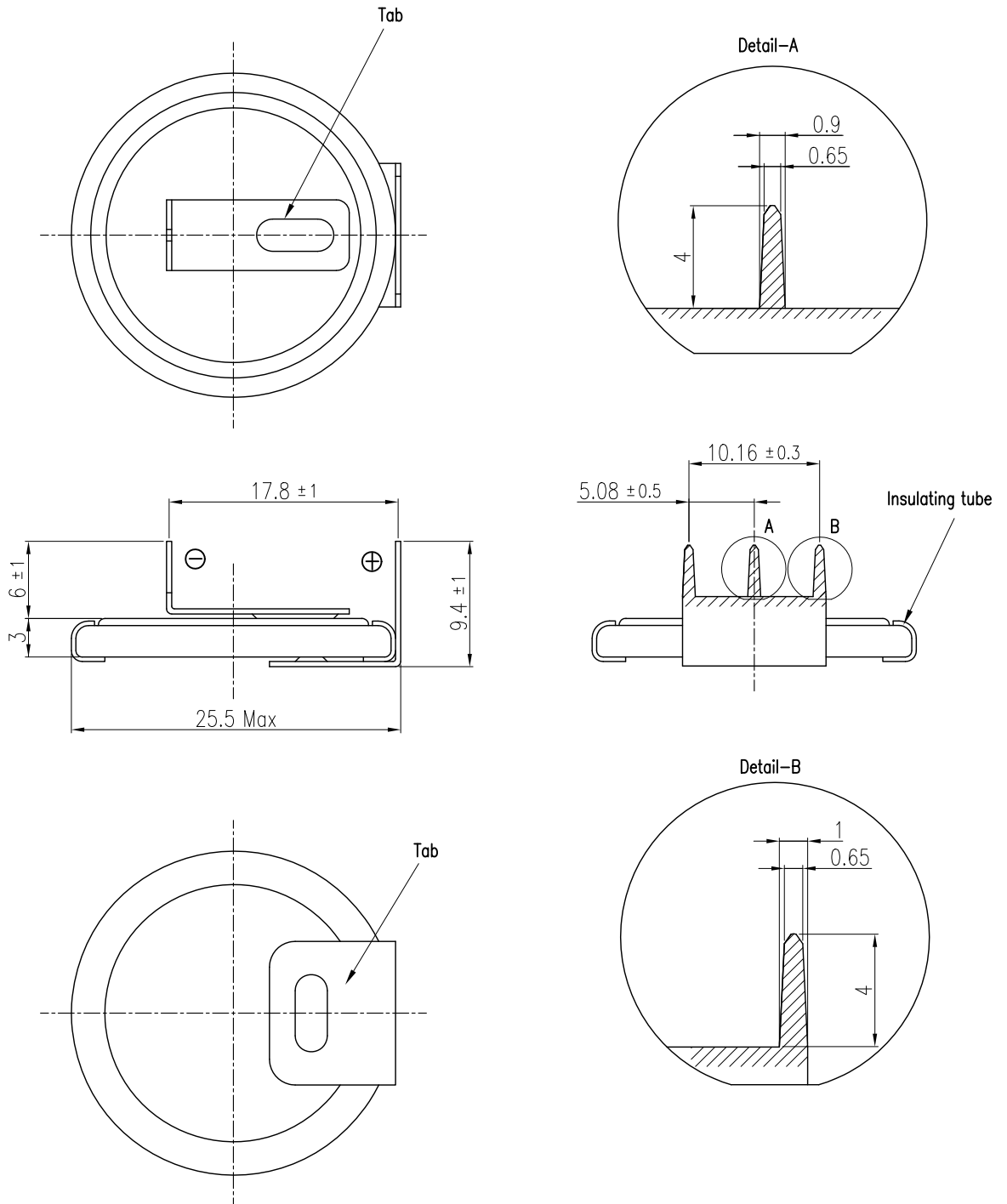


Figure-1 Shape and Dimension



Tab material : Plated stainless steel with Pb free
 Tab thickness : 0.2mm
 Welding strength of tab : Min.19.6N
 (Vertical direction from welding plate)

| | | |
|-------|------------|-----------------|
| Model | ML2430-HS1 | FDK CORPORATION |
|-------|------------|-----------------|