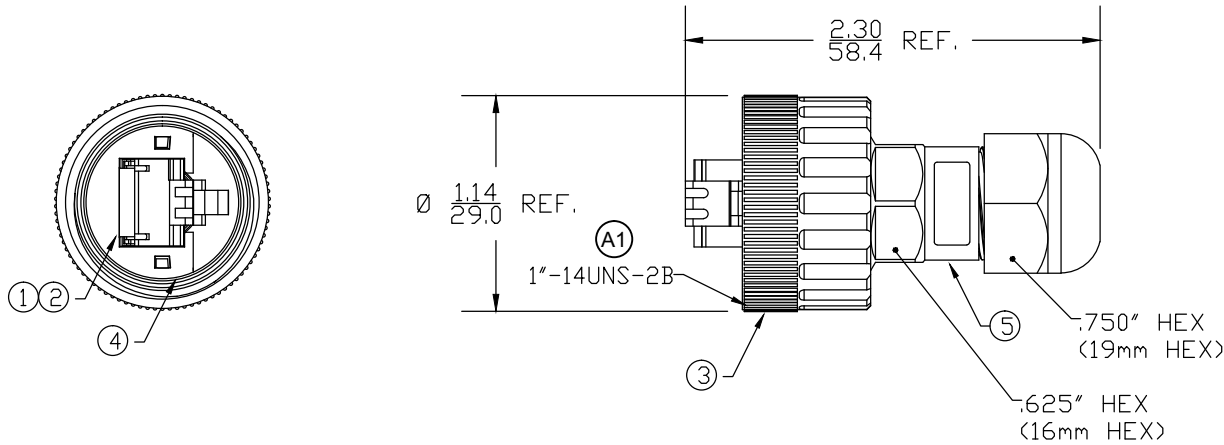
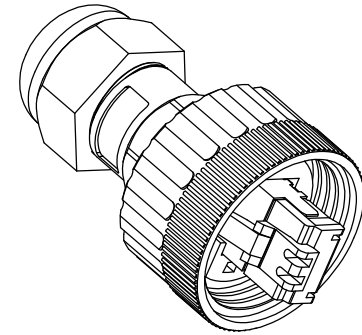


| MATERIAL NUMBER | OLD PART NUMBER |
|-----------------|-----------------|
| 130057-0003 | ENSAM315 |



| | |
|-----------------------|---------------|
| VOLTAGE RATING | 125 VDC |
| AMPERAGE RATING | 1.5 AMPS |
| PROTECTION | IP67 |
| OPERATING TEMPERATURE | -20°C TO 80°C |
| CATEGORY RATING | Cat 5 |

| ITEM | COMPONENT | MATERIAL | FINISH |
|------|-----------------|---------------|------------------|
| 1 | CONTACT HOUSING | POLYCARBONATE | CLEAR |
| 2 | CONTACT PIN | COPPER ALLOY | GOLD OVER NICKEL |
| 3 | COUPLING NUT | ASA | BLACK |
| 4 | O-RING | VITON | BLACK |
| 5 | HOUSING | ASA | BLACK |

CLARIFY THREAD DIMENSION
 EC NO: IFC2017-0838
 DRWN: MZIELINS 2017/03/08
 CHKD: ---
 APPR: BWOODMAN 2009/08/27

QUALITY SYMBOLS
 ▽=0
 ▽C=0

GENERAL TOLERANCES (UNLESS SPECIFIED)

| | mm | INCH |
|----------|------|------|
| 4 PLACES | ±--- | ±--- |
| 3 PLACES | ±--- | ±--- |
| 2 PLACES | ±--- | ±.01 |
| 1 PLACE | ±0.3 | ±--- |

ANGULAR ±---°

DRAFT WHERE APPLICABLE MUST REMAIN WITHIN DIMENSIONS

DIMENSION STYLE IN/MM

SCALE --- INCH

DESIGN UNITS INCH

THIRD ANGLE PROJECTION

DRAWN BY DATE
VOU 2009/08/26

CHECKED BY DATE
BWOODMAN 2009/08/31

APPROVED BY DATE
JFMURPHY 2009/08/27

MATERIAL NO.

SEE CHART

SIZE A

TITLE
 RJ-LNXX ATTACHABLE FOR SOLID-CORE CABLE

MOLEX INCORPORATED

DOCUMENT NO. SD-130057-002

SHEET NO. 1 OF 1

THIS DRAWING CONTAINS INFORMATION THAT IS PROPRIETARY TO MOLEX INCORPORATED AND SHOULD NOT BE USED WITHOUT WRITTEN PERMISSION