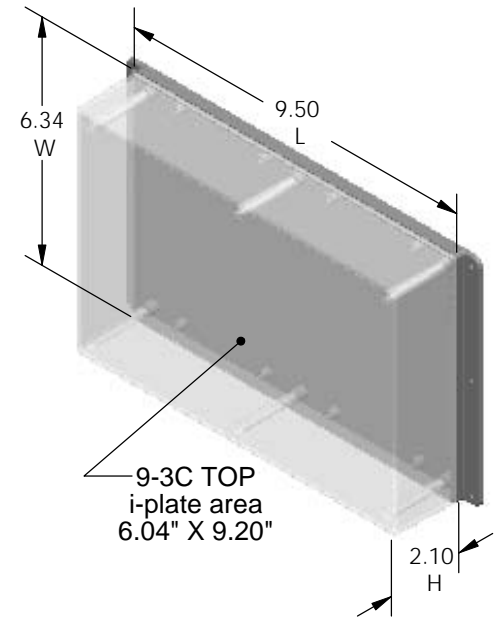
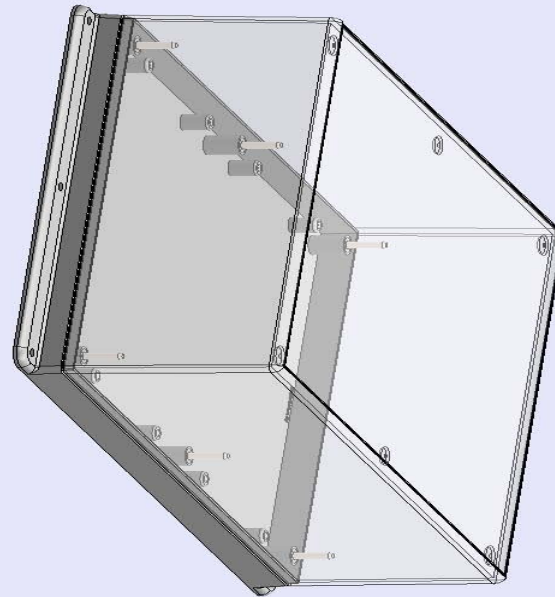


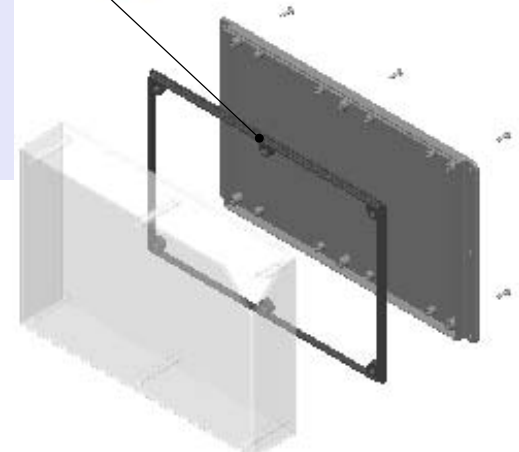
SERPAC WM093C (3D exploded)

Electronic Enclosures

- Click on image to show toolbar. Use ▶|| to Play/Pause Animation*.
- Left click and drag on image to move 3D model.



Water proofing gasket
PS19 optional.
see note #2



- a) zoom in & out with center wheel.
 - b) Pause at any moment to view and or print views.
 - c) Change the views to ortho and section views if needed from the Views pull down menu.
 - d) Explore options included in the tool bar like: Views, Transparency of model, Lighting type, etc.
- *(To have full interaction with the animated PDF files, please use free Adobe Reader 9 or newer version.)

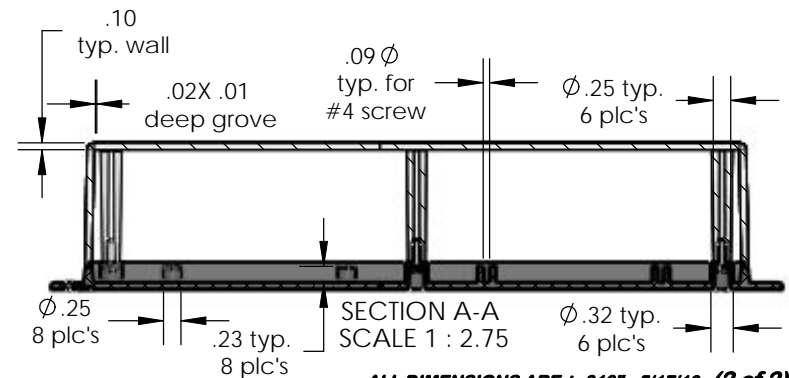
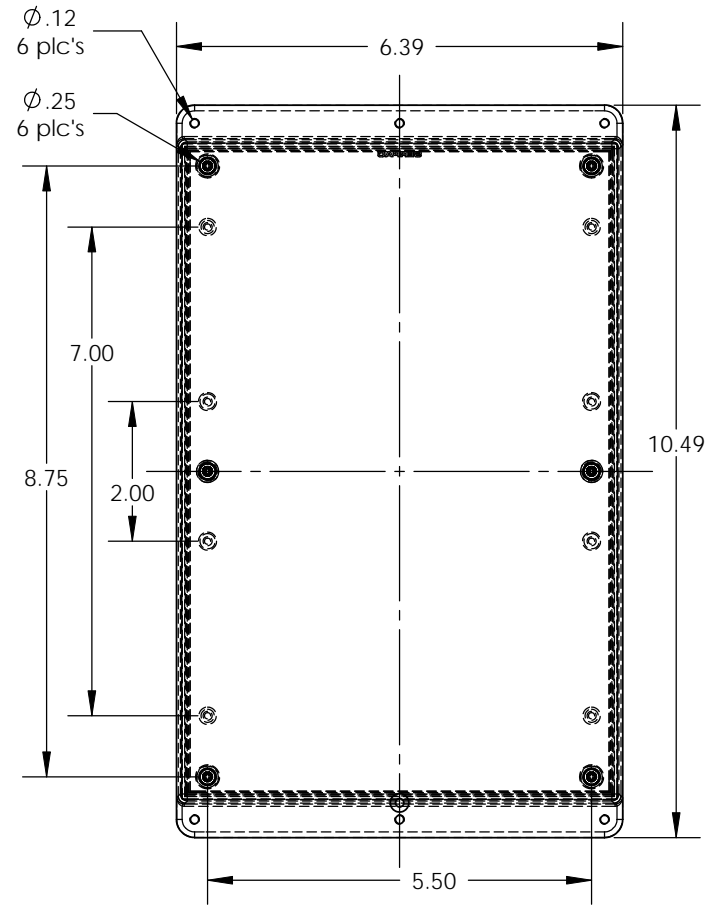
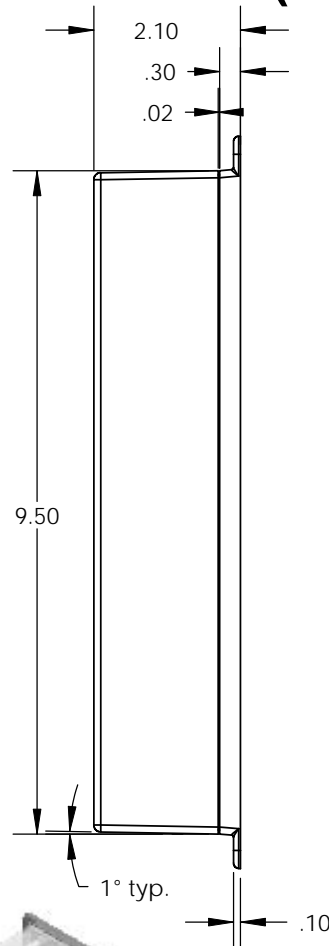
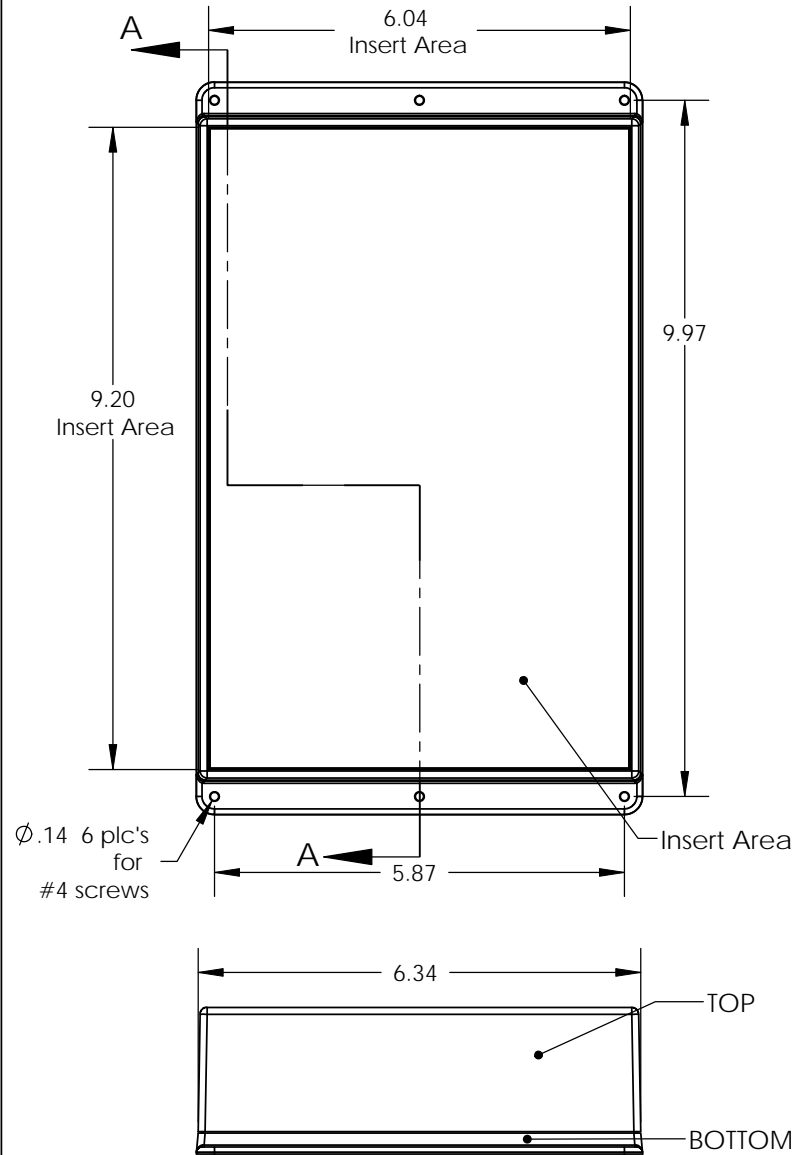
| PART NO. | DESCRIPTION (Included) | ACCESSORIES (Optional) More available; see website | |
|----------|---------------------------|--|-------------------------|
| | | PART NO. | DESCRIPTION |
| 9-3C | TOP | | |
| WM09 | BOTTOM | 50 | Non-skid Feet |
| 6005 | #4 self tapping screw (6) | PS19 | Perimeter Seal |
| | | 6004 | Circuit board #4 screws |

- Notes: Enclosure weight .78 lbs / 354 gm
- 1) Enclosure meets or exceeds IP40 and NEMA 1
 - 2) When used with PS19 the enclosure meets or exceeds IP 67 and NEMA 4X, 12 and 13 MIL-STD-810G 506.5
 - 3) Circuit Board drawings can be download at:
<http://www.serpac.com/Products/Sseries/x9x/drawings/19X-CB.pdf>
 - 4) All components are RoHS Compliant.

ALL DIMENSIONS ARE ±.010" 5/17/10 (1 of 2)
2009 Wright Ave. La Verne, CA 91750
Ph. (626) 331-0517 Fx. (626) 331-8584 serpac.com

SERPAC WM093C (user print)

Electronic Enclosures



| PART NO. | DESCRIPTION (Included) | ACCESSORIES (Optional) More available; see website | |
|----------|---------------------------|--|------------------------|
| | | PART NO. | DESCRIPTION |
| 9-3C | TOP | | |
| WM09 | BOTTOM | 50 | Non-skid Feet |
| 6005 | #4 self tapping screw (6) | PS19 | Perimeter Seal |
| | | 6004 | Circuit board #4 screw |

Notes: Enclosure weight .78 lbs / 354 gm
 1) Enclosure meets or exceeds IP40 and NEMA 1
 2) When used with PS19 the enclosure meets or exceeds IP 67 and NEMA 4X, 12 and 13 MIL-STD-810G 506.5
 3) Circuit Board drawings can be download at:

<http://www.serpac.com/Products/Sseries/x9x/drawings/19X-CB.pdf>

4) All components are RoHS Compliant.

ALL DIMENSIONS ARE ±.010" 5/17/10 (2 of 2)
 2009 Wright Ave. La Verne, CA 91750
 Ph. (626) 331-0517 Fx. (626) 331-8584 www.serpac.com