

4

3

2

1

THIS DRAWING AND THE SUBJECT MATTER SHOWN THEREON ARE CONFIDENTIAL AND THE PROPERTY OF BEL/STEWART/TRP CONNECTOR AND SHALL NOT BE REPRODUCED, COPIED, OR USED IN ANY MANNER WITHOUT THE WRITTEN CONSENT OF TRP CONNECTOR.

PRODUCT MAY BE PROTECTED BY ONE OR MORE OF THE FOLLOWING US PATENTS:
5736910 5939955 6425781 6428361 6554638 6840817 7123117
7429195 7717749 7808751 6217391 6149050 7924130

REVISIONS

P	LTR	DESCRIPTION	DATE	DWN	APVD
H		EC-1411035, COMPANY LOGO CHANGE	11FEB2015	TR	TY

SCALE 5:1

S8G17 GIGABIT CIRCUIT

Top and Bottom Ports

1. C1 = 1000pF, 2KV, 10%, X7R
2. C2, C3 = 470pF, 10%, 50V

Pin Designations

(Repeat for each vertical pair of ports.)

1 MATERIALS:

- HOUSING: THERMOPLASTIC, BLACK, FLAMMABILITY RATING UL 94V-0.
- SHIELD: BRASS, PREPLATED WITH 0.76um MIN SEMI-BRIGHT NICKEL, POST DIPPED WITH 2.54um MIN SAC SOLDER ON SOLDER TAILS.
- CONTACTS: PHOSPHOR BRONZE, PLATED WITH 1.27um MIN OVERALL NICKEL UNDERPLATE, SELECTIVE 1.27um MIN GOLD AT MATING INTERFACE AND 2.54um MIN MATTE TIN ON SOLDER TAILS.
- LED: DIFFUSED EPOXY LENS, CARBON STEEL LEAD FRAME LEADS, PREPLATED WITH 2.03um MIN SILVER OVER 1.02um MIN NICKEL OVER 1.02um MIN COPPER UNDERPLATE, POST PLATED WITH 2.54um MIN MATTE TIN AND/OR 2.54um MIN SAC SOLDER DIP OR PURE TIN SOLDER DIP.

2 MAGNETICS:

- APPLICATION: 10/100/1000 BASE-T
- IMPEDANCE: 100ohm
- TURNS RATIO (CHIP:CABLE): 1:1 ALL FOUR PAIRS
- OPEN CIRCUIT INDUCTANCE (OCL): 350uH MIN @100kHz, 0.1VRMS, 8mA DC BIAS FROM 0° C TO 70° C, ALL FOUR PAIRS
- ALL FOUR PAIRS BI-DIRECTIONAL
- PERFORMANCE @25° C:
 - INSERTION LOSS (IL): 1.1dB MAX FROM 0.5MHz TO 100MHz
 - RETURN LOSS (RL): 18dB MIN FROM 0.5MHz TO 40MHz
 - 12-20LOG(f/80)dB MIN FROM 40.1MHz TO 100MHz
 - CROSSTALK ATTENUATION: 35dB MIN FROM 0.5MHz TO 40MHz
 - 33-20LOG(f/50)dB MIN FROM 40.1MHz TO 100MHz
 - COMMON MODE REJECTION RATIO (CMRR): 30dB MIN FROM 0.5MHz TO 100MHz
- ISOLATION VOLTAGE: 2250VDC (MAX) FOR 60 SECONDS WITH A RISE TIME OF 500V/SEC AND WITH ALL PORTS CONNECTED.

3 PART NUMBER, DATE CODE AND COUNTRY OF ORIGIN ARE LOCATED IN THE APPROXIMATE AREA SHOWN. DATE CODE "YY" IS THE YEAR, "WW" IS THE WEEK, "D" IS THE DAY OF WEEK, WITH SUNDAY="1".

4 TRP LOGO AND AGENCY APPROVAL LOGO ARE LOCATED IN THE APPROXIMATE AREA SHOWN.

5 RJ45 CAVITIES CONFORM TO FCC RULES AND REGULATIONS PART 68 SUBPART F.

6 LED IS DRIVEN WITH CONSTANT CURRENT AT APPROX 20mA

LED COLOR: DOMINANT WAVELENGTH (λ_D):

GREEN 568 nm TYP at IF=20mA

YELLOW 588 nm TYP at IF=20mA

FORWARD VOLTAGE (VF):

GREEN 2.2V TYP at IF=20mA

YELLOW 2.1V TYP at IF=20mA

ONLY FOR 9-1840130-5

ULTRA LOW WAVELENGTH GREEN (ULWG) 525 nm TYP at IF=20mA

ULTRA LOW WAVELENGTH GREEN (ULWG) 2.8V TYP at IF=20mA

7 INDICATED MAGNETIC CONNECTIONS ARE SYMMETRICAL AND SUPPORT AUTO-MDI/MDIX.

8 OPERATING TEMPERATURE: FROM 0° C TO 70° C.

9 THE PARTS ARE RECOMMENDED FOR WAVE SOLDERING PROCESS, PEAK TEMPERATURE IS 260° C MAX, 10 SECONDS MAX. IT IS RECOMMENDED THAT THE CONNECTOR SHIELD AND BODY BE MASKED TO PROTECT IT FROM DIRECT EXPOSURE TO THE SOLDER WAVE TO AVOID DAMAGE TO THE CONNECTOR AND LEDS.

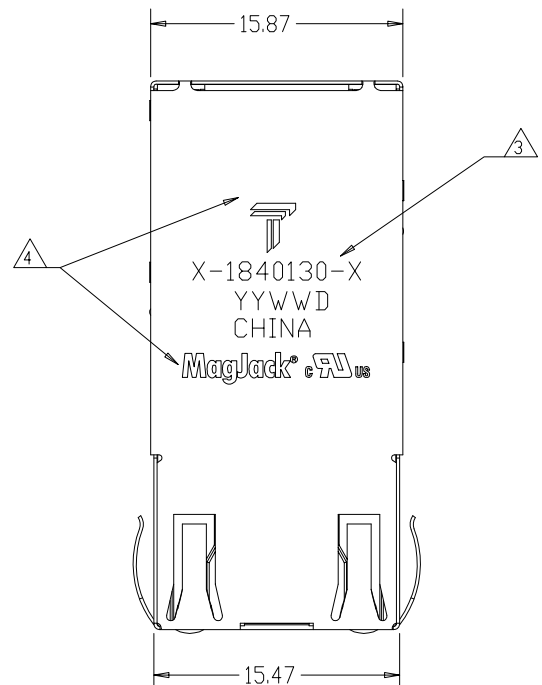
2.80	GREEN	GREEN/YELLOW	GREEN	GREEN/YELLOW	1840130-8
3.30	ULWG	ULWG/YELLOW	ULWG	ULWG/YELLOW	9-1840130-5
3.30	GREEN	YELLOW/GREEN	GREEN	YELLOW/GREEN	4-1840130-5
3.30	GREEN	GREEN/YELLOW	GREEN	GREEN/YELLOW	1840130-3
3.30	GREEN	YELLOW	GREEN	YELLOW	1840130-2
3.30	GREEN	GREEN	GREEN	GREEN	1840130-1
DIM A	TOP LEFT LED	TOP RIGHT LED	BOTTOM LEFT LED	BOTTOM RIGHT LED	PART NUMBER

THIS DRAWING IS A CONTROLLED DOCUMENT.		DWN	JEE LUD	02-18-06	 trp CONNECTOR a bel group DONGGUAN CHINA
DIMENSIONS: mm		CHK	KEITH ZHU	02-18-06	
TOLERANCES UNLESS OTHERWISE SPECIFIED		APVD	TEDDY XIONG	02-18-06	
0 PLC - 1 PLC ±0.25 2 PLC ±0.25 3 PLC ±0.25 4 PLC ±0.25 ANGLES -		MODEL NAME	MAGJACK		
PRODUCT SPEC		STACK NON-PoE		DESC	2X1 S8G17 GIGABIT OFFSET W/ LED
APPLICATION SPEC		SIZE	A2	CAGE CODE	C=1840130
-		RESTRICTED TO	CUSTOMER DRAWING		SCALE NTS
-		SHEET	1	OF	4
-		REV	H		

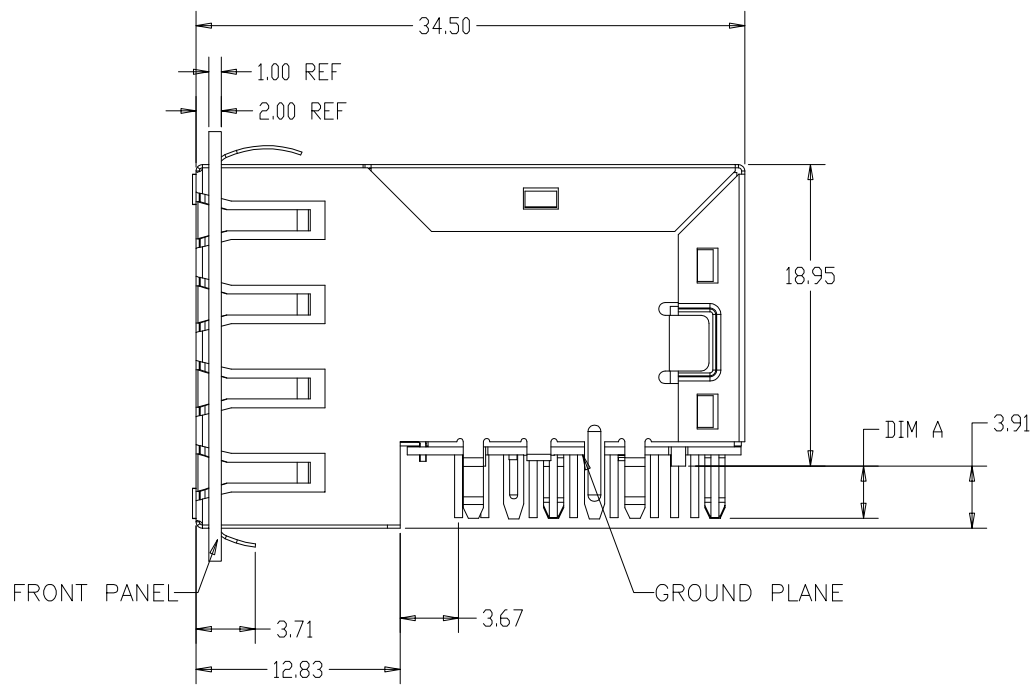
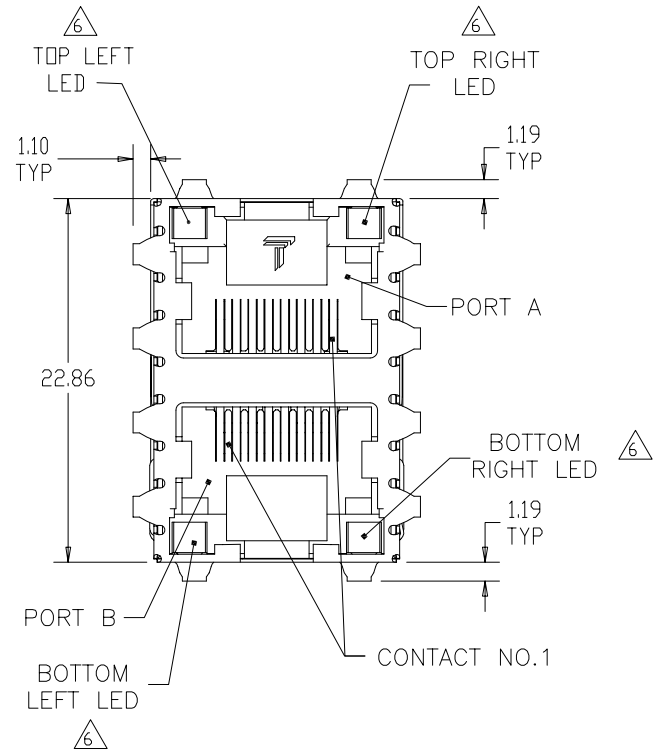
xxxxx


THIS DRAWING AND THE SUBJECT MATTER SHOWN THEREON ARE CONFIDENTIAL AND THE PROPERTY OF BEL/STEWART/TRP CONNECTOR AND SHALL NOT BE REPRODUCED, COPIED, OR USED IN ANY MANNER WITHOUT THE WRITTEN CONSENT OF TRP CONNECTOR.

PRODUCT MAY BE PROTECTED BY ONE OR MORE OF THE FOLLOWING US PATENTS:
 5736910 5939955 6425781 6428361 6554638 6840817 7123117
 7429195 7717749 7808751 6217391 6149050 7924130



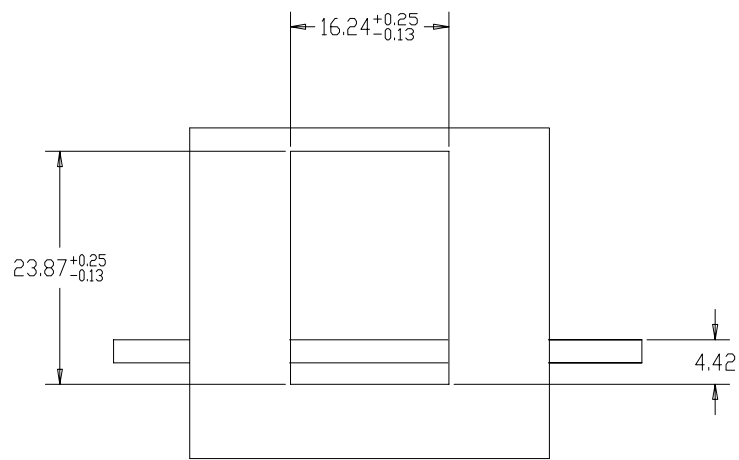
SCALE 5.000



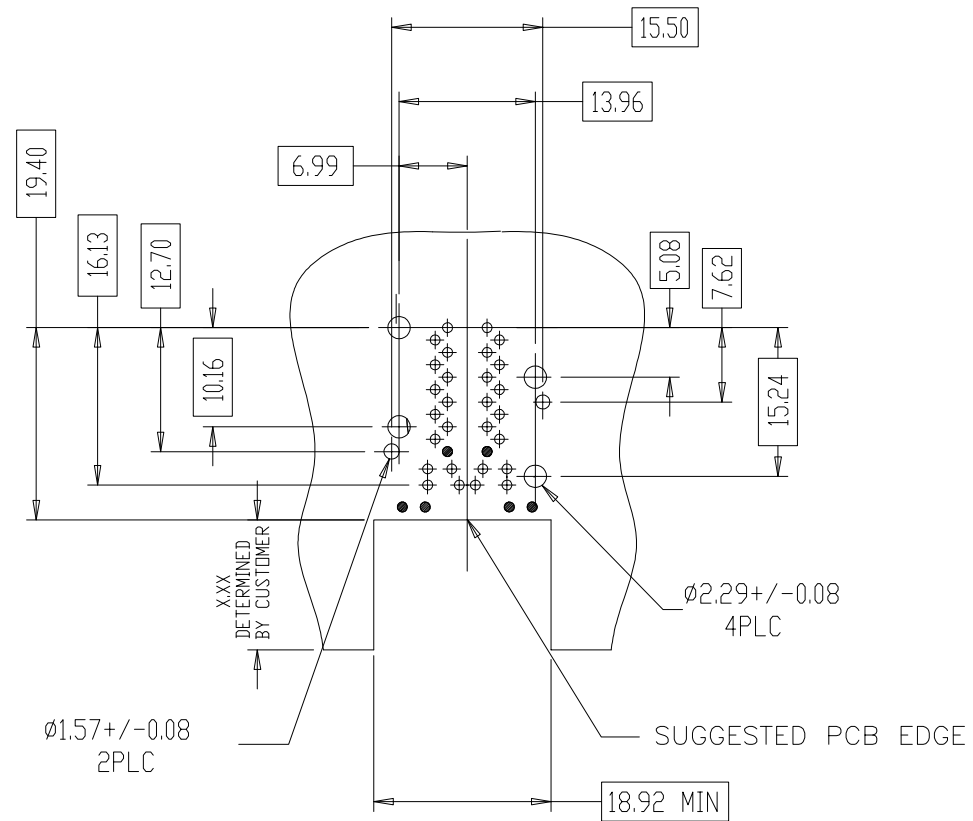
THIS DRAWING IS A CONTROLLED DOCUMENT.		DWN JEE LUD	02-18-06	 trp CONNECTOR <small>a bel group</small>	DONGGUAN CHINA										
DIMENSIONS: mm		CHK KEITH ZHU	02-18-06												
TOLERANCES UNLESS OTHERWISE SPECIFIED		APVD TEDDY XIONG	02-18-06												
<table border="1"> <tr><td>0 PLC</td><td>-</td></tr> <tr><td>1 PLC</td><td>±0.25</td></tr> <tr><td>2 PLC</td><td>±0.25</td></tr> <tr><td>3 PLC</td><td>±0.25</td></tr> <tr><td>4 PLC</td><td>±0.25</td></tr> <tr><td>ANGLES</td><td>-</td></tr> </table>		0 PLC	-			1 PLC	±0.25	2 PLC	±0.25	3 PLC	±0.25	4 PLC	±0.25	ANGLES	-
0 PLC	-														
1 PLC	±0.25														
2 PLC	±0.25														
3 PLC	±0.25														
4 PLC	±0.25														
ANGLES	-														
PRODUCT SPEC	APPLICATION SPEC	<table border="1"> <tr> <td>SIZE</td> <td>CAGE CODE</td> <td>DRAWING NO</td> <td>RESTRICTED TO</td> </tr> <tr> <td>A2</td> <td></td> <td>C=1840130</td> <td>-</td> </tr> </table>		SIZE	CAGE CODE	DRAWING NO	RESTRICTED TO	A2		C=1840130	-				
SIZE	CAGE CODE	DRAWING NO	RESTRICTED TO												
A2		C=1840130	-												
-		CUSTOMER DRAWING		SCALE NTS	SHEET 2	OF 4	REV H								

THIS DRAWING AND THE SUBJECT MATTER SHOWN THEREON ARE CONFIDENTIAL AND THE PROPERTY OF BEL/STEWART/TRP CONNECTOR AND SHALL NOT BE REPRODUCED, COPIED, OR USED IN ANY MANNER WITHOUT THE WRITTEN CONSENT OF TRP CONNECTOR.

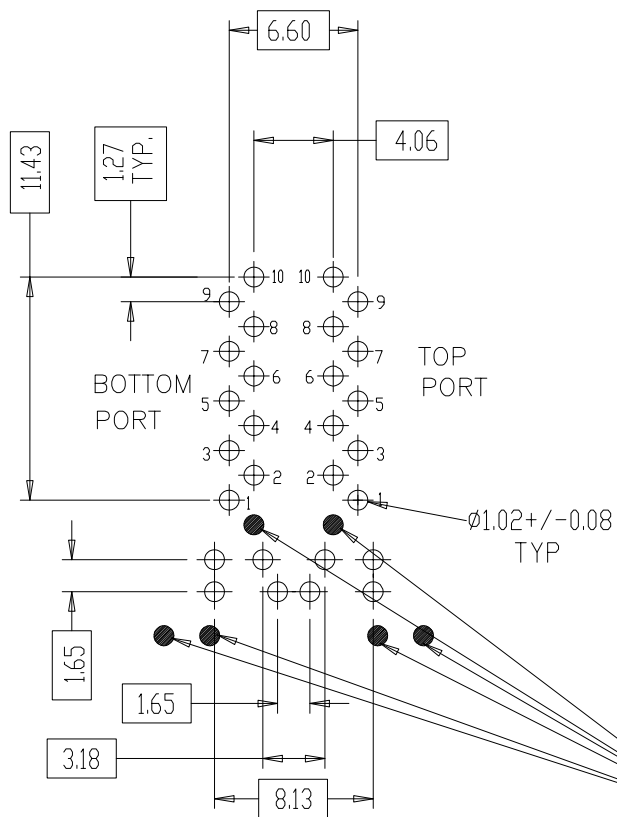
PRODUCT MAY BE PROTECTED BY ONE OR MORE OF THE FOLLOWING US PATENTS:
5736910 5939955 6425781 6428361 6554638 6840817 7123117
7429195 7717749 7808751 6217391 6149050 7924130



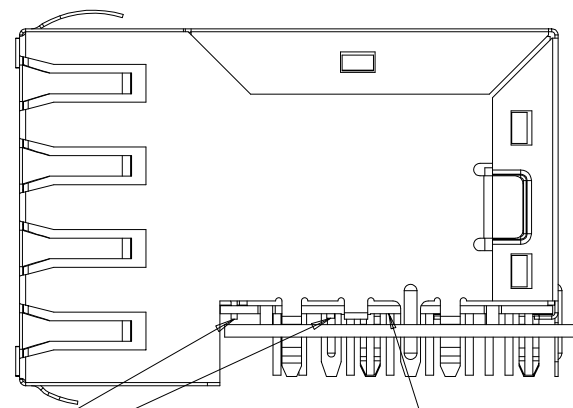
RECOMMENDED PANEL CUT-OUT



RECOMMENDED PC BOARD LAYOUT VIEWED FROM COMPONENT SIDE




DETAIL G SCALE: 2:1



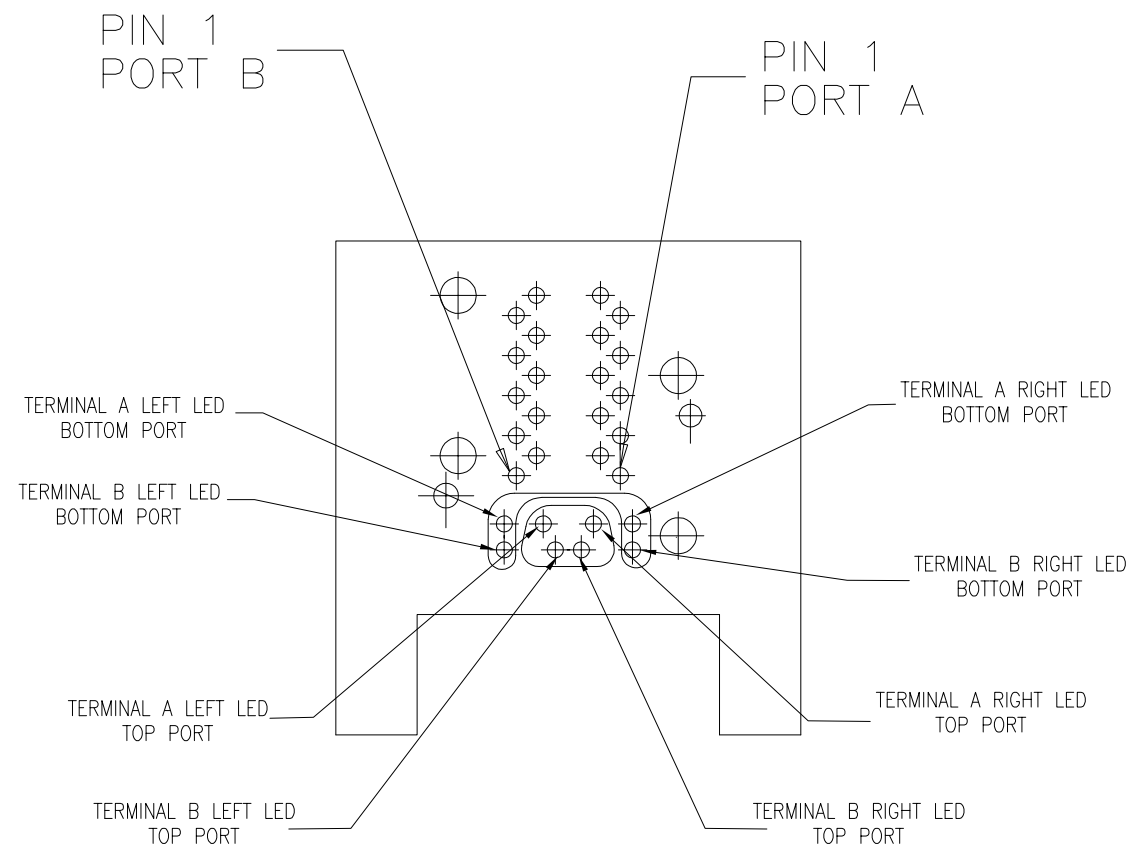
ALL THE SIGNAL PINS MUST BE SOLDERED WITH BOTTOM PCB

PIN #0 AND SOME LED PINS ARE STUB PINS WITH LENGTH SIMILAR TO PCB STANDOFF HEIGHT. PRECAUTIONS SHOULD BE TAKEN IN PCB DESIGN TO GUARD AGAINST SHORTING TRACES TO STUB PINS.

THIS DRAWING IS A CONTROLLED DOCUMENT.		DWN JEE LUD 02-18-06	 trp CONNECTOR a bel group	DONGGUAN CHINA										
DIMENSIONS: mm		CHK KEITH ZHU 02-18-06												
TOLERANCES UNLESS OTHERWISE SPECIFIED		APVD TEDDY XIONG 02-18-06												
<table border="1"> <tr><td>0 PLC</td><td>-</td></tr> <tr><td>1 PLC</td><td>±0.25</td></tr> <tr><td>2 PLC</td><td>±0.25</td></tr> <tr><td>3 PLC</td><td>±0.25</td></tr> <tr><td>4 PLC</td><td>±0.25</td></tr> <tr><td>ANGLES</td><td>-</td></tr> </table>		0 PLC			-	1 PLC	±0.25	2 PLC	±0.25	3 PLC	±0.25	4 PLC	±0.25	ANGLES
0 PLC	-													
1 PLC	±0.25													
2 PLC	±0.25													
3 PLC	±0.25													
4 PLC	±0.25													
ANGLES	-													
PRODUCT SPEC	APPLICATION SPEC	DESC 2X1 S8G17 GIGABIT OFFSET W/ LED												
-	-	SIZE A2	CAGE CODE C=1840130	RESTRICTED TO -										
CUSTOMER DRAWING		SCALE NTS	SHEET 3	OF 4										
			REV H											

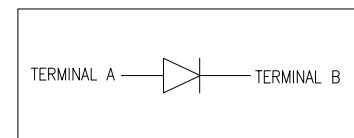
THIS DRAWING AND THE SUBJECT MATTER SHOWN THEREON ARE CONFIDENTIAL AND THE PROPERTY OF BEL/STEWART/TRP CONNECTOR AND SHALL NOT BE REPRODUCED, COPIED, OR USED IN ANY MANNER WITHOUT THE WRITTEN CONSENT OF TRP CONNECTOR.

PRODUCT MAY BE PROTECTED BY ONE OR MORE OF THE FOLLOWING US PATENTS:
5736910 5939955 6425781 6428361 6554638 6840817 7123117
7429195 7717749 7808751 6217391 6149050 7924130

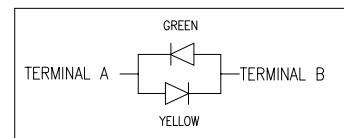


LED HOLE DESIGNATIONS
VIEWED FROM COMPONENT SIDE

SINGLE COLOR LED

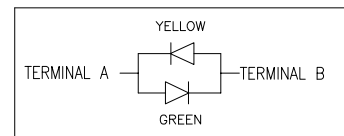


BI COLOR LED



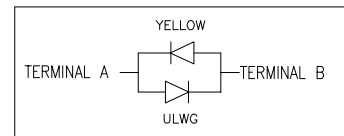
THE SCHEMATICS FOR
1840130-3, 1840130-8

BI COLOR LED




THE SCHEMATICS FOR 4-1840130-5

BI COLOR LED



THE SCHEMATICS FOR 9-1840130-5

THIS DRAWING IS A CONTROLLED DOCUMENT.		DWN JEE LUD 02-18-06	 trp CONNECTOR a bel group	DONGGUAN CHINA																
DIMENSIONS: mm		CHK KEITH ZHU 02-18-06																		
TOLERANCES UNLESS OTHERWISE SPECIFIED		APVD TEDDY XIONG 02-18-06																		
<table border="1"> <tr><td>0 PLC</td><td>-</td></tr> <tr><td>1 PLC</td><td>±0.25</td></tr> <tr><td>2 PLC</td><td>±0.25</td></tr> <tr><td>3 PLC</td><td>±0.25</td></tr> <tr><td>4 PLC</td><td>±0.25</td></tr> <tr><td>ANGLES</td><td>-</td></tr> </table>	0 PLC	-	1 PLC	±0.25	2 PLC	±0.25	3 PLC	±0.25	4 PLC	±0.25	ANGLES	-	<table border="1"> <tr><td>PRODUCT SPEC</td><td>-</td></tr> <tr><td>APPLICATION SPEC</td><td>-</td></tr> </table>	PRODUCT SPEC	-	APPLICATION SPEC	-	MODEL NAME MAGJACK	DESC 2X1 S8G17 GIGABIT OFFSET W/ LED	RESTRICTED TO -
0 PLC	-																			
1 PLC	±0.25																			
2 PLC	±0.25																			
3 PLC	±0.25																			
4 PLC	±0.25																			
ANGLES	-																			
PRODUCT SPEC	-																			
APPLICATION SPEC	-																			
-		SCALE NTS	SIZE A2	CAGE CODE C=1840130	DRAWING NO 1840130	SHEET 4	OF 4	REV H												