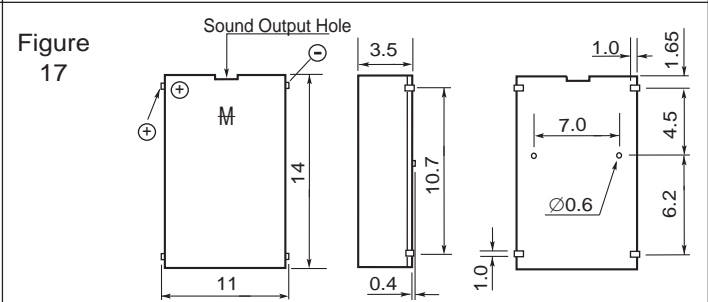
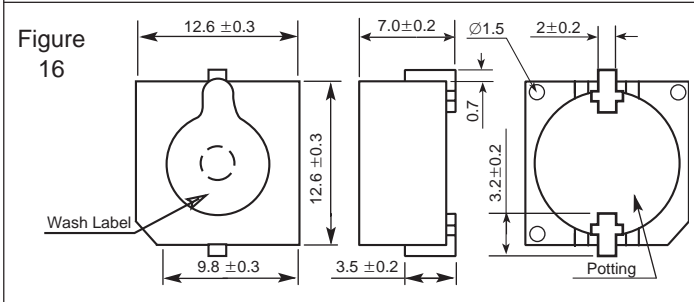
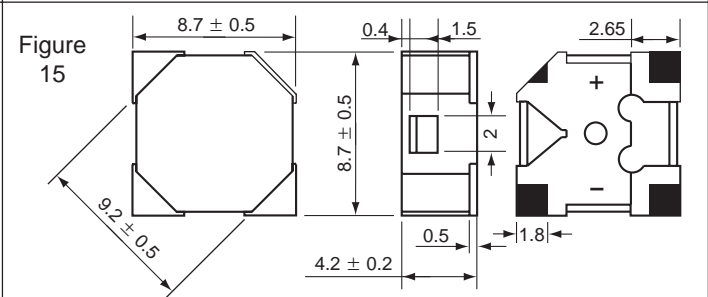
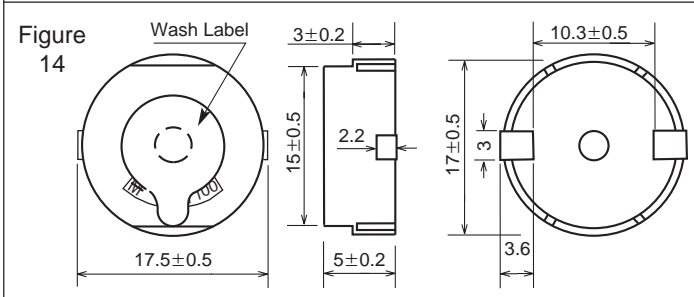
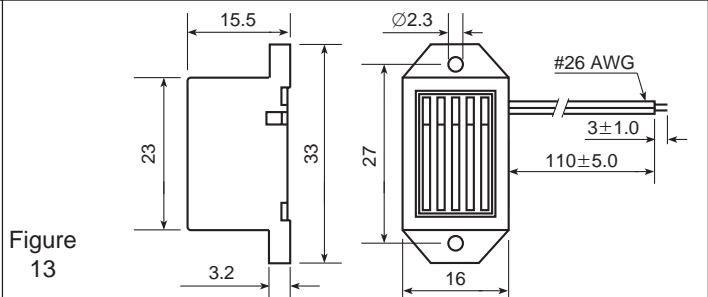
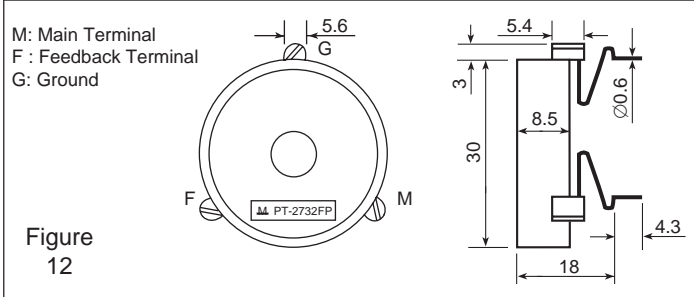
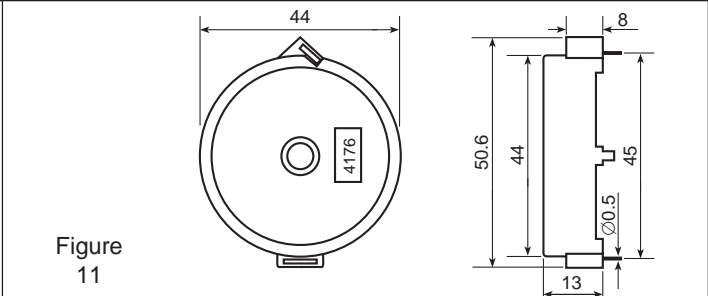
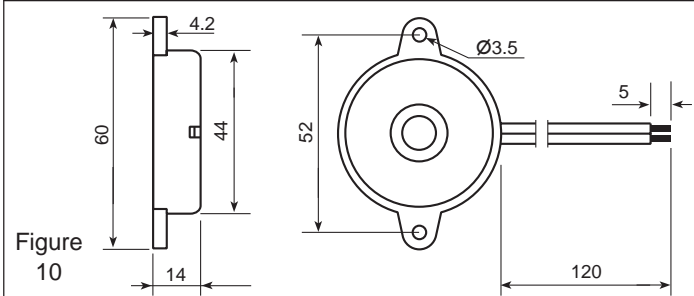
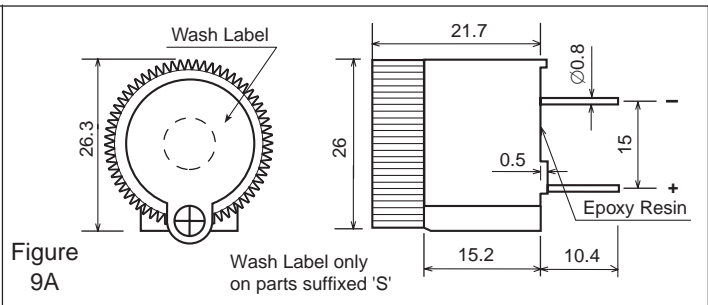
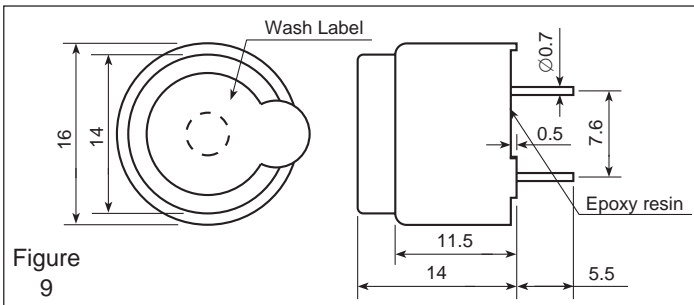


# Transducer & Indicator Figures



All dimensions are in millimeters