



Mallory Sonalert Products, Inc.

Part #:

SBT12M0FL

Sales Outline Drawing

Revision:

D

Specifications:

cUL Recognized as Capable of meeting Medical Spec IEC60601-1-8

Sound Level Category:	Loud
Mode of Operation:	Continuous
Voltage Rating:	9 to 12 VDC
Frequency:	150 to 4000 Hz
Loudness @ 10cm:	85 to 95 dB(A) Typ.
Average Current Draw:	<25mA Typ.
Ipk Current*:	75mA
Housing Material:	ABS 777D Plastic Resin, Black
Storage Temperature:	-40° to +85° C
Operating Temperature:	-30° to +65° C
Weight Typical:	0.6 oz (17g)
Options:	Please contact factory.

Dimensions:

Inches (mm)

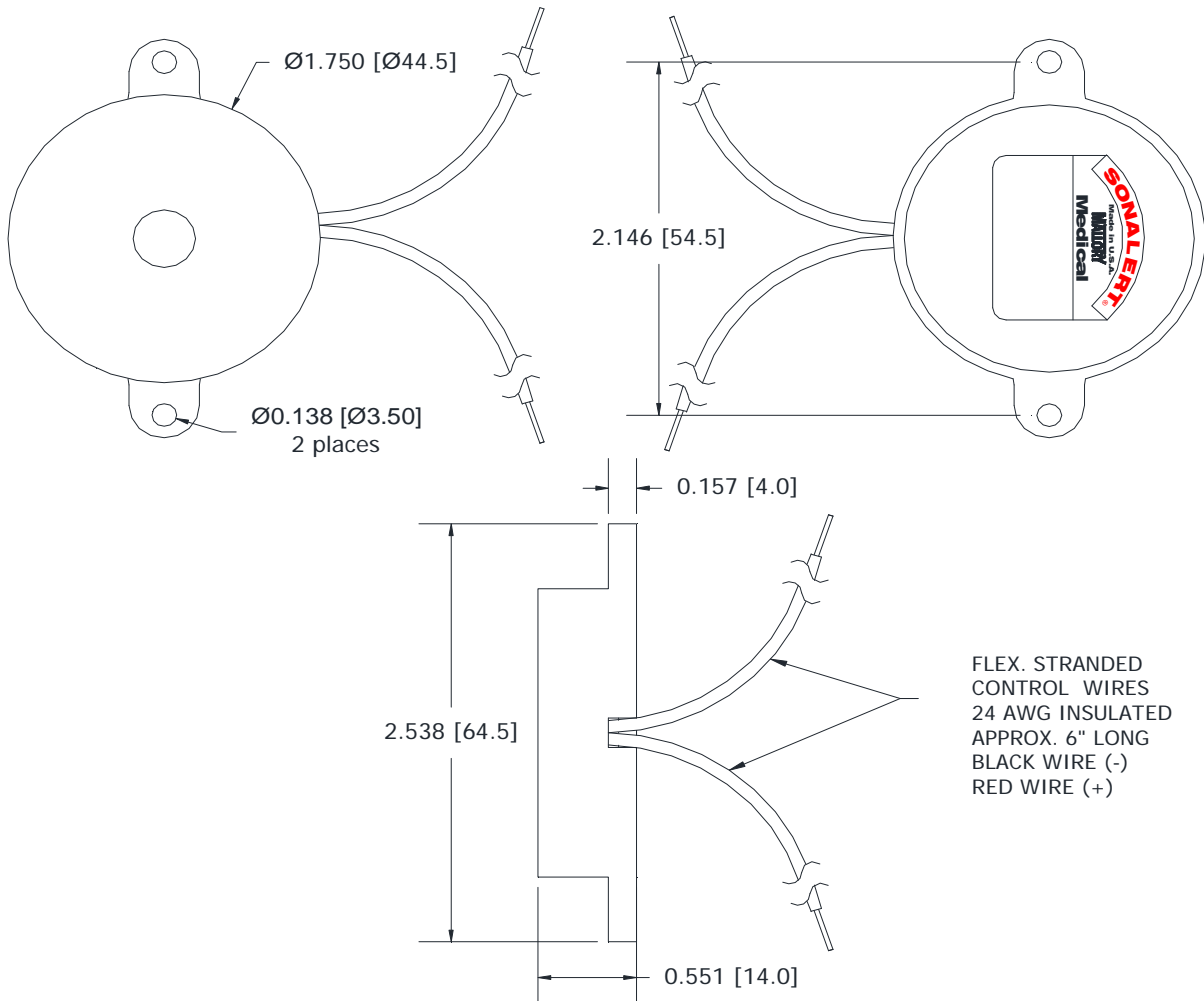
cUL Recognized

ROHS Compliant

PATENT NUMBER: 7880593

Before Code Date: 1546 Not cUL Recognized

After Code Date: 1547 cUL Recognized



FLEX. STRANDED
CONTROL WIRES
24 AWG INSULATED
APPROX. 6" LONG
BLACK WIRE (-)
RED WIRE (+)

*Ipk = Instantaneous Peak