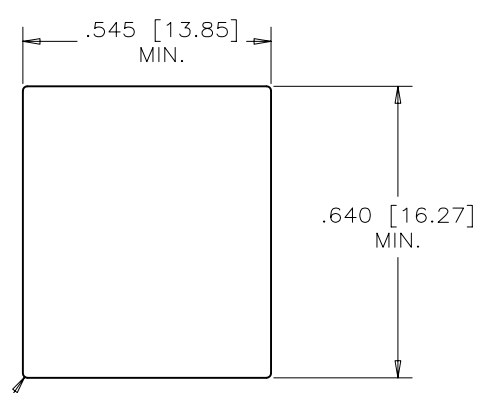
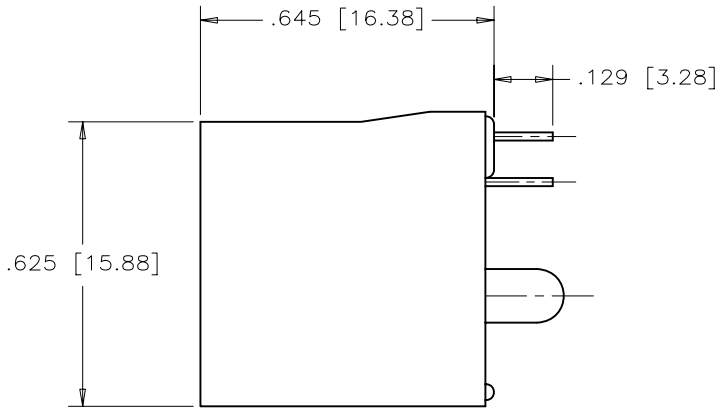
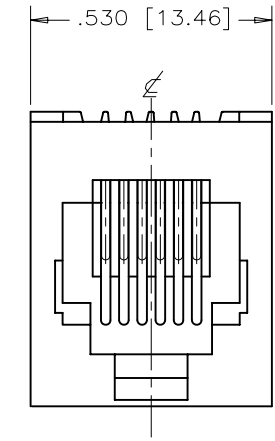


REVISIONS				
SYM	ZONE	ECN, ERN NO.	DATE	APPRD.
A		PROPOSAL	APR 1/08	L.CHAN



R.010 [R0.25] MAX.

RECOMMENDED PANEL CUTOUT



MATERIALS:

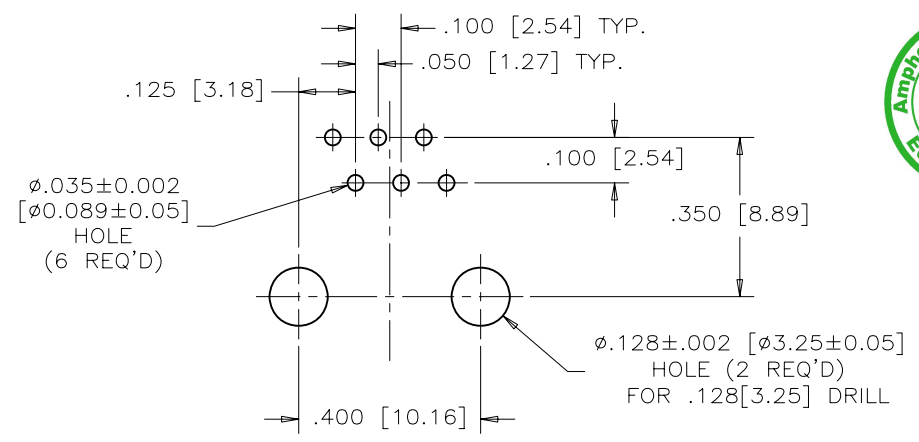
- HOUSING: ENGINEERING THERMOPLASTIC
FLAMMABILITY RATING UL 94V-0
COLOR: BLACK
- CONTACTS: PHOSPHOR BRONZE
- PLATING: REFER TO PART NUMBER FOR GOLD THICKNESS ON MATING SURFACES.
50 μ" [1.27 MICRONS]
MIN. NICKEL UNDERPLATE
100 μ" [2.54 MICRONS]
MIN. MATTE TIN OR GOLD FLASH ON CONTACT TAILS.

PART NUMBER: RJE08-166-0X10H

HIGH TEMPERATURE PLASTIC

GOLD PLATING:

- 1 = 6 μ"
- 2 = 15 μ"
- 3 = 30 μ"
- 4 = 50 μ"



LOCATE HOLES
 $\phi \pm 0.005 [0.13]$
 HOLE POSITIONS ARE BASIC

RECOMMENDED P.C.B. LAYOUT
(COMPONENT SIDE OF BOARD)

DRAWN	J.OUYANG	DATE	APR 1/08
DESIGNED	MT.CHAN	DATE	APR 1/08
CHECKED	L.CHAN	DATE	APR 1/08
I. E. APPRD.			
Q. A. APPRD.			
DWG. APPRD.			
ENG. REL. NO.			
REF.			
DIMENSIONS ARE IN	CODE ID. NO.		
INCHES [mm]	03554		

Amphenol Canada Corp.

TITLE MODULAR JACK, 6 POSITION,
6 CONTACTS, TOP ENTRY WITHOUT SHIELD,
WITHOUT FLANGE – RoHS COMPLIANT

DWG	DRAWING NO.	REV.
	P-RJE08-166-0X10-H	A
SCALE	WT. -----	SURF. -----
		SHEET 1 OF 1

THIS DOCUMENT CONTAINS PROPRIETARY INFORMATION AND SUCH INFORMATION MAY NOT BE DISCLOSED TO OTHERS FOR ANY PURPOSE OR USED FOR MANUFACTURING PURPOSES WITHOUT WRITTEN PERMISSION FROM AMPHENOL CANADA CORP.