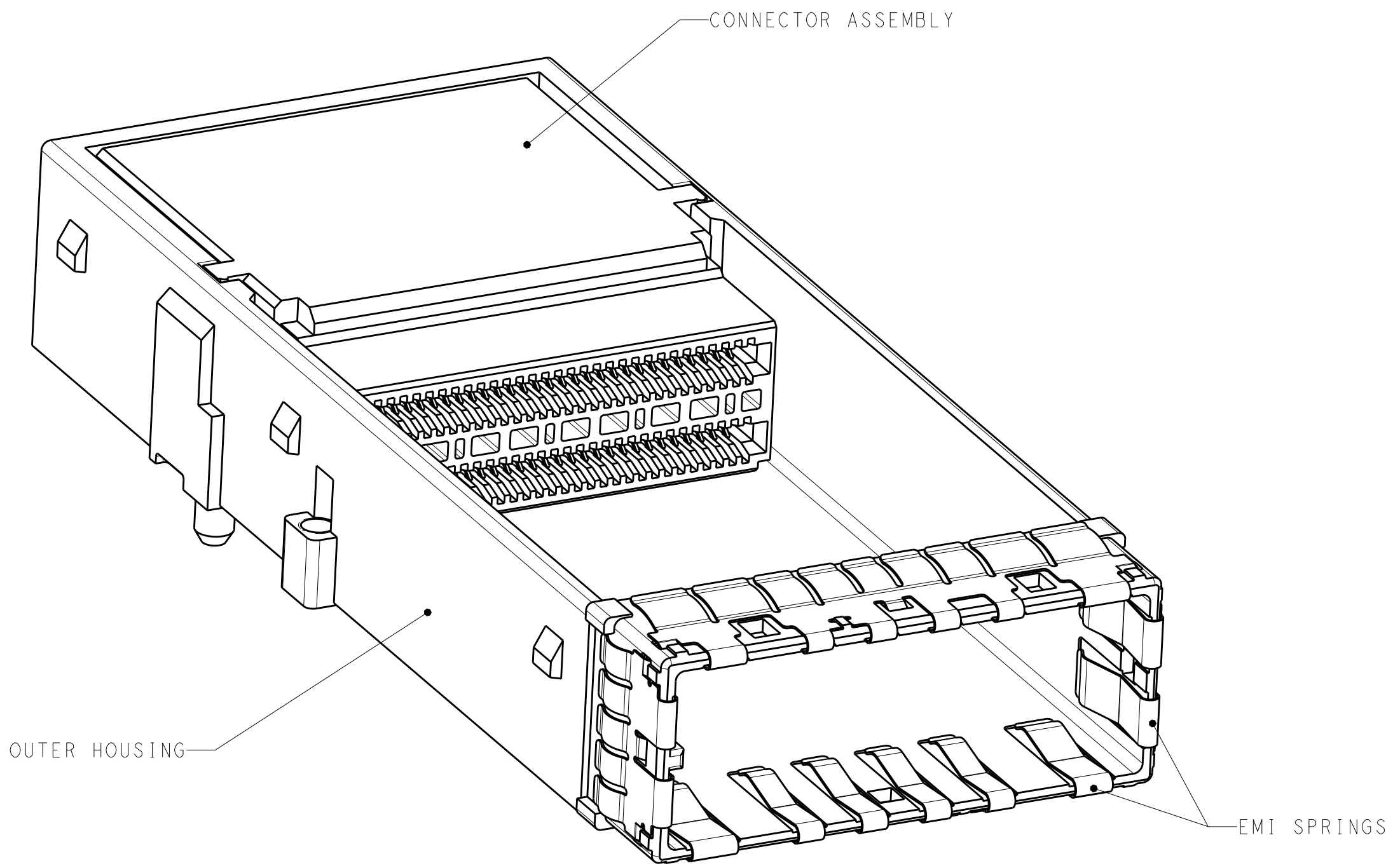


THIS DRAWING IS UNPUBLISHED. RELEASED FOR PUBLICATION 20  
 © COPYRIGHT 20 BY - ALL RIGHTS RESERVED.

REVISIONS				
P	LTR	DESCRIPTION	DATE	APVD
	A	RELEASED PER ECO-16-005951	26APR2016	PR JW



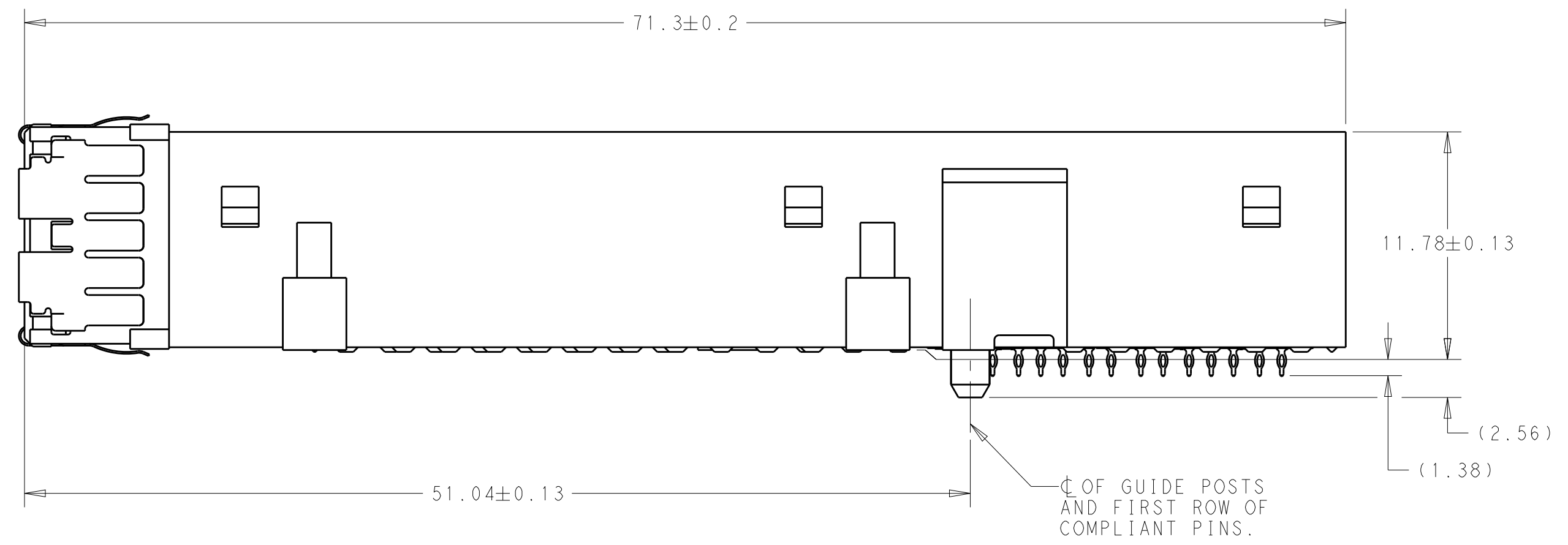
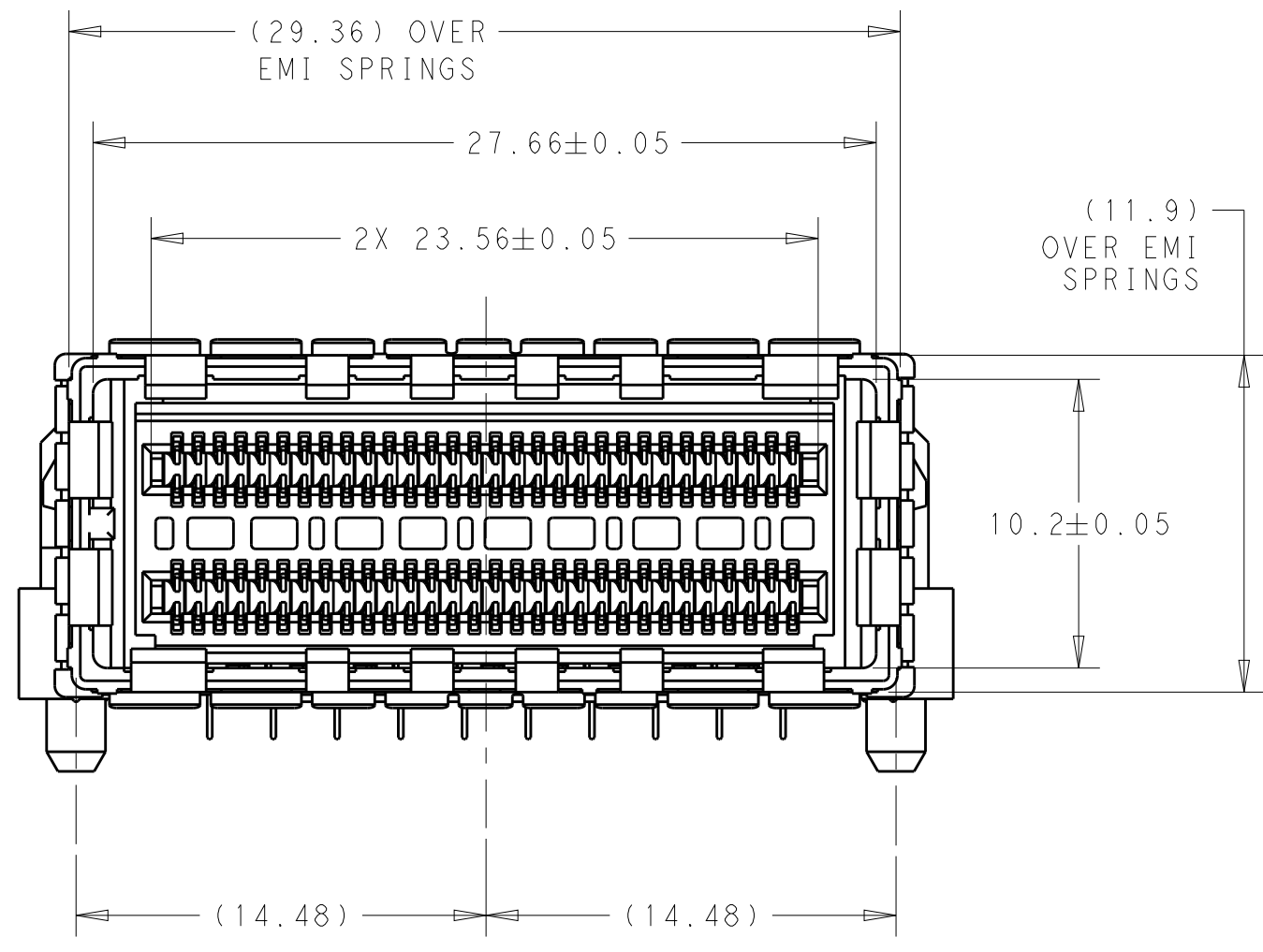
- MATERIALS:  
 OUTER HOUSING - NICKEL PLATED ZINC ALLOY PER ASTM B 240.  
 CONNECTOR HOUSINGS - LCP, UL 94V-0 RATED.  
 CHICKLETS - LCP, UL 94V-0 RATED.  
 CONTACTS - PHOSPHOR BRONZE.  
 EMI SPRINGS - COPPER ALLOY.
- CONTACT FINISH:  
 CONFORMS TO THE REQUIREMENTS OF TYCO ELECTRONICS PRODUCT SPECIFICATION 108-XXXX, BASED ON EIA/ECA-364-1000.01A, (CONTROLLED ENVIRONMENT APPLICATIONS) ON MATING INTERFACES. TIN ON COMPLIANT PINS.
- PCB THICKNESS 1.57 MINIMUM.
- △ FOR HOLE SIZE AND PLATINGS, SEE APPLICATION SPEC 114-XXXXXX.
- △ CROSS HATCHED AREA INDICATES REQUIRED CONDUCTIVE AREA ON SURFACE OF PCB. NO COMPONENTS OR TOP SIDE SURFACE TRACES ALLOWED IN THIS AREA.
- MOUNTING HARDWARE REQUIRED:  
 3X M2X0.4 - SCREW LENGTH = PCB THICKNESS + (2 TO 4).


2274233-1  
PART NUMBER

THIS DRAWING IS A CONTROLLED DOCUMENT.		DWN 04NOV2013 C. VALENTINE	TE Connectivity		
DIMENSIONS: mm		CHK 04NOV2013 M. PHILLIPS			
TOLERANCES UNLESS OTHERWISE SPECIFIED: 0 PLC ±0.1 1 PLC ±0.1 2 PLC ±0.1 3 PLC ±0.1 4 PLC ±0.1 ANGLES ±° FINISH		APVD 04NOV2013 M. PHILLIPS	NAME RECEPTACLE, TYPE 2, CDFP		
		PRODUCT SPEC 108-32065	SIZE A2	CAGE CODE -	DRAWING NO. C-2274233
MATERIAL SEE NOTES		APPLICATION SPEC 114-32114	RESTRICTED TO -	SCALE 4:1	SHEET 1 OF 4
WEIGHT -		CUSTOMER DRAWING	REV A		

THIS DRAWING IS UNPUBLISHED. RELEASED FOR PUBLICATION 20  
 © COPYRIGHT 20 BY - ALL RIGHTS RESERVED.

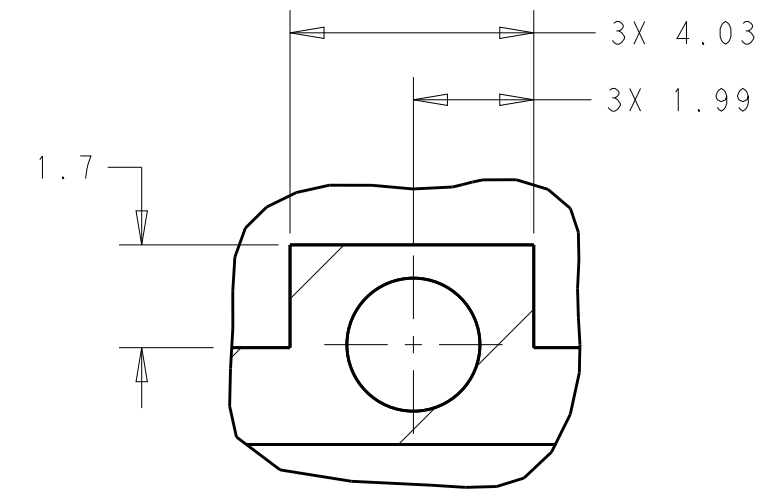
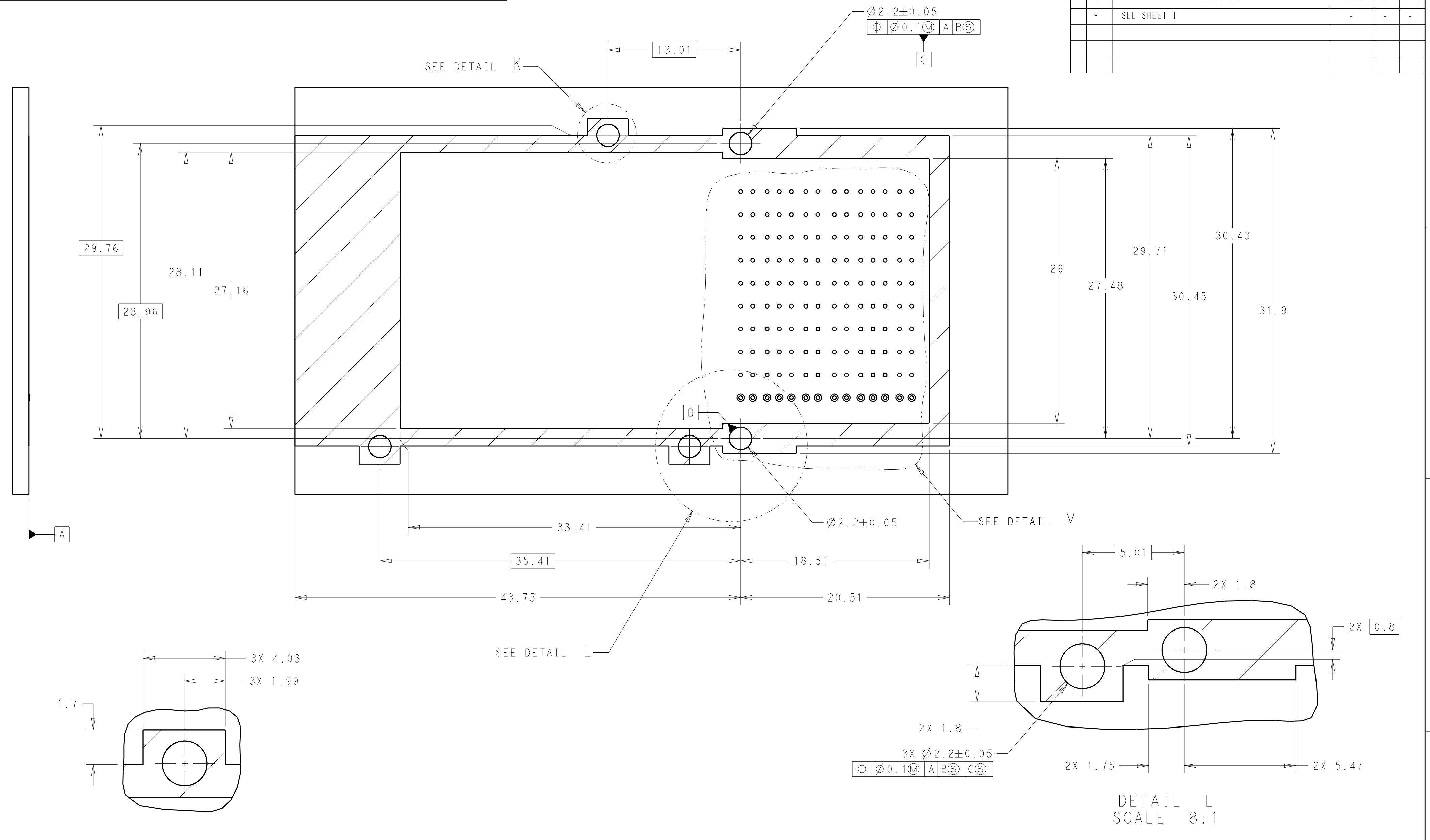
REVISIONS				
P	LTR	DESCRIPTION	DATE	APVD
-		SEE SHEET 1	-	-



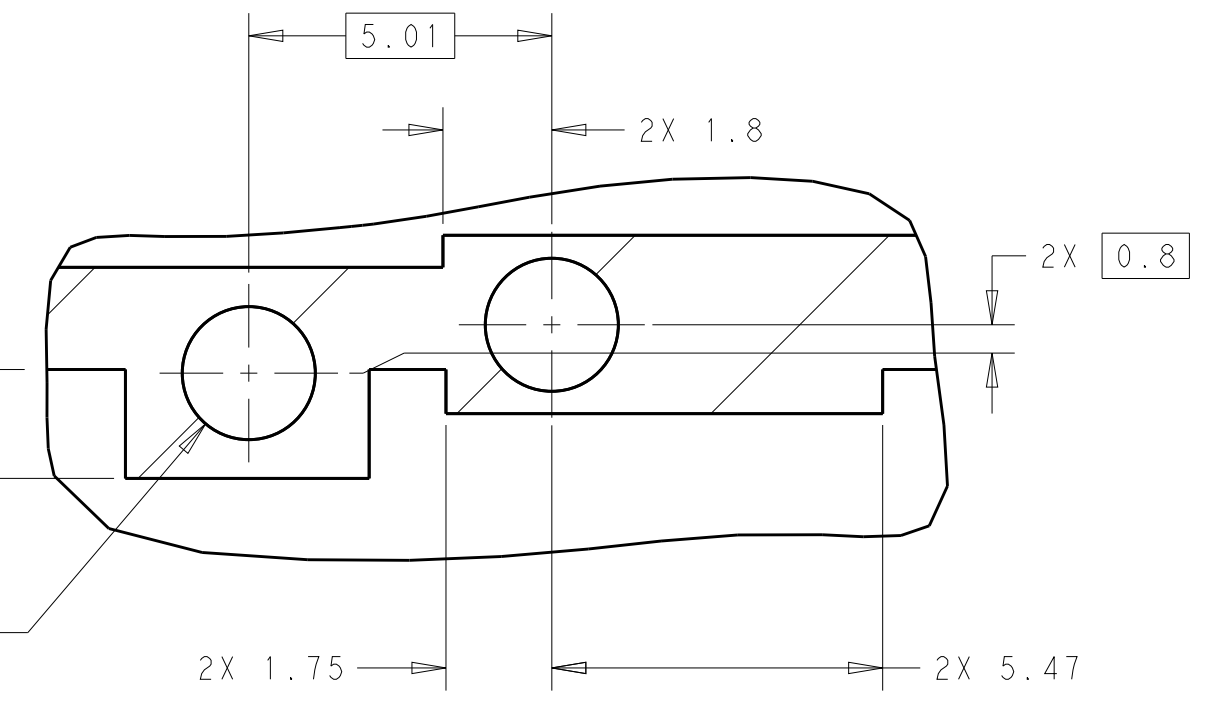
THIS DRAWING IS A CONTROLLED DOCUMENT.		DWN 04NOV2013 C. VALENTINE	 TE Connectivity	
DIMENSIONS: mm		CHK 04NOV2013 M. PHILLIPS		
TOLERANCES UNLESS OTHERWISE SPECIFIED:		APVD 04NOV2013 M. PHILLIPS	PRODUCT SPEC 108-32065	RESTRICTED TO -
0 PLC ±0.1 1 PLC ±0.1 2 PLC ±0.1 3 PLC ±0.1 4 PLC ±0.1 ANGLES ± FINISH		APPLICATION SPEC 114-32114	SCALE 4:1	SHEET 2 OF 4
MATERIAL SEE NOTES		WEIGHT -	SIZE A2	REV A
		CUSTOMER DRAWING	DRAWING NO C-2274233	

THIS DRAWING IS UNPUBLISHED. RELEASED FOR PUBLICATION 20  
 © COPYRIGHT 20 BY - ALL RIGHTS RESERVED.

REVISIONS				
P	LTR	DESCRIPTION	DATE	APVD
-		SEE SHEET 1	-	-



DETAIL K  
SCALE 8:1



DETAIL L  
SCALE 8:1

THIS DRAWING IS A CONTROLLED DOCUMENT.		DWN C. VALENTINE 04NOV2013	TE Connectivity	
DIMENSIONS: mm		CHK M. PHILLIPS 04NOV2013		
TOLERANCES UNLESS OTHERWISE SPECIFIED:		APVD M. PHILLIPS 04NOV2013	NAME RECEPTACLE, TYPE 2, CDFP	
0 PLC ±0.1	1 PLC ±0.1	PRODUCT SPEC 108-32065	SIZE A2	CAGE CODE -
2 PLC ±0.1	3 PLC ±0.1	APPLICATION SPEC 114-32114	DRAWING NO C-2274233	RESTRICTED TO -
4 PLC ±0.1	ANGLES ±	WEIGHT -	SCALE 4:1	SHEET 3 OF 4
MATERIAL SEE NOTES	FINISH SEE NOTES	CUSTOMER DRAWING	REV A	

