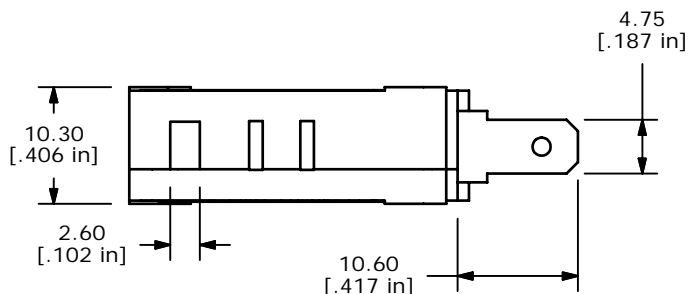
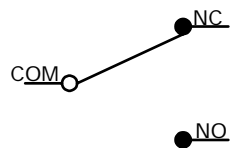


ISOMETRIC



O.P. (MM)	P.T. (MM)
14.7±0.5	2.0 MAX.

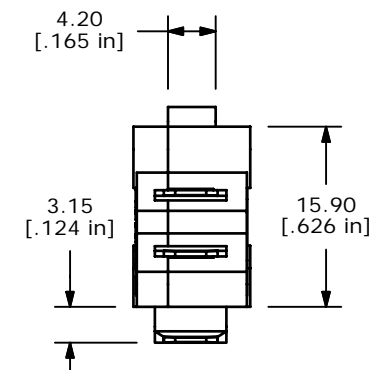
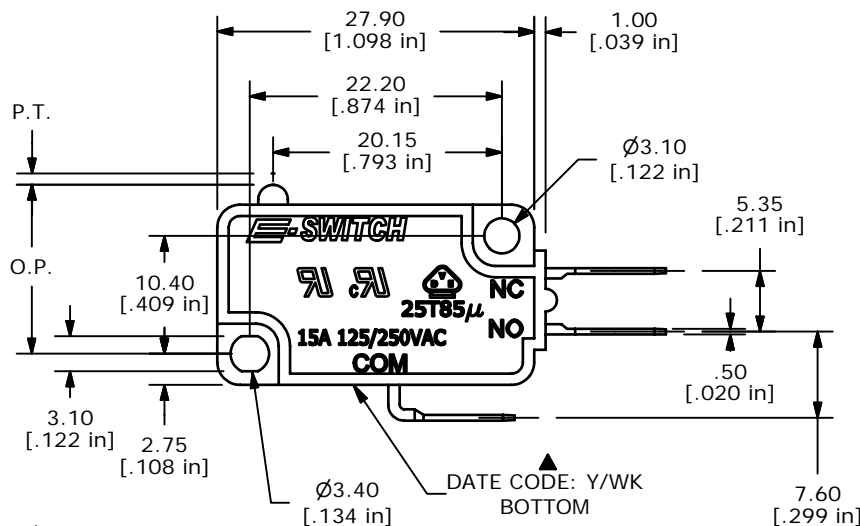
O.P. = OPERATING POINT
P.T. = PRE-TRAVEL



CIRCUIT: SPDT

NOTES:

1. ALL DIMENSIONS IN MM [INCH]
2. GENERAL TOLERANCE: X.X=±0.4
X.XX=±0.25
3. RATING: 15A @125/250VAC UL, CUL, VDE APPROVED
- ▲4. OPERATING FORCE: 160±40 GRAMS
5. OPERATING TEMP: -25°C TO 85°C
6. ELECTRICAL LIFE: 50,000 CYCLES MIN.
7. MECHANICAL LIFE: 1,000,000 CYCLES TYP.
8. INSULATION RESISTANCE: 100 MEGA-OHMS MIN.
9. DIELECTRIC STRENGTH: 1500VAC 1 MINUTE (INITIAL VALUE)
10. CONTACT RESISTANCE: 100 MILLI -OHMS MAX.
- ▲11. DATE CODE TO BE STAMPED: Y=YEAR/WK=WEEK
12. ▲DENOTES CRITICAL PARAMETER.
13. 2002/95/EC (ROHS) COMPLIANT



F	16967	FIXED DATE CODE	2/6/07	TN
E	15603	CHANGES NOTED	12/13/05	PH
D	15058	FIXED DIMMENSION	7/1/05	JB
C	14969	CHANGED DIMMENSIONS AND NOTES	6/1/05	JB
REV	PCR NO	DESCRIPTION	DATE	BY

THE INFORMATION CONTAINED IN THIS DOCUMENT IS PROPRIETARY TO E-SWITCH AND IS NOT TO BE COPIED OR TRANSFERRED

E-SWITCH®

TITLE LS0851500F160C1A

SCALE	DATE	DR	DWG	REV
1.5:1	2/6/2007	TN	Q950000	F