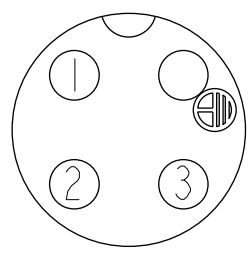
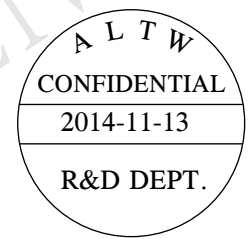
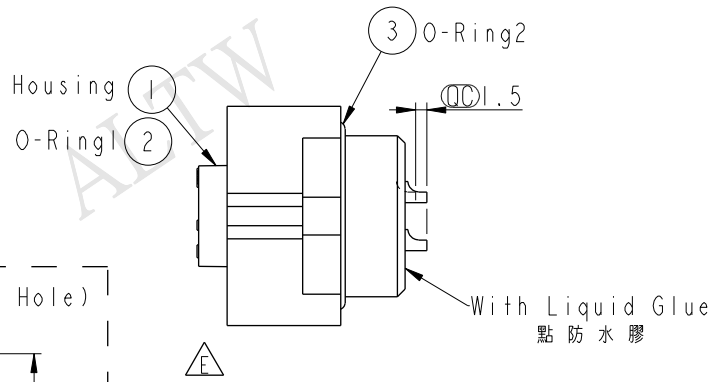
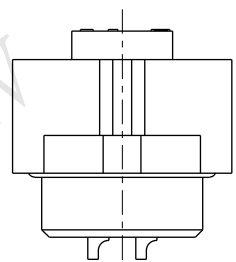
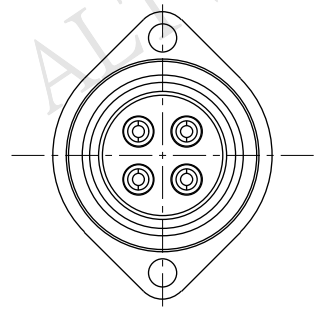
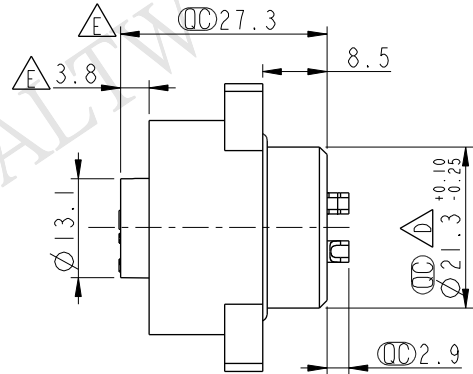
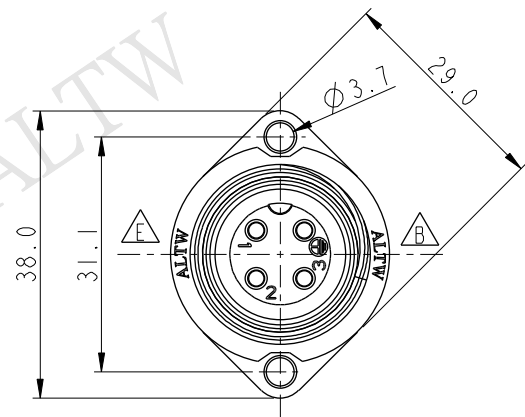
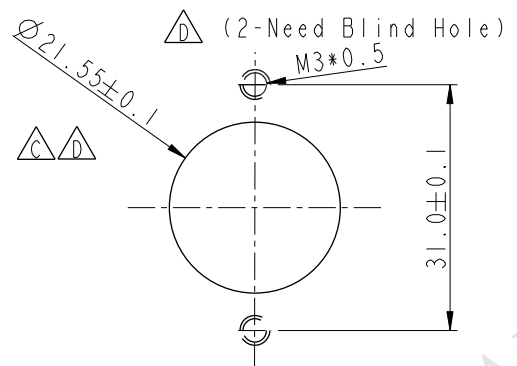


REV.	ECN NO.	DATE	SIGN	DESCRIPTION
C	LEN1130433	2011/03/16	Jiang Jun Huo	Delete Dimension 28.4.
D	LEN1190167	2011/08/26	Tony	Modify Dimension & Note
E	LEN14B0315	2014/11/13	Sam	Update Logo&View&Dimension.



Pin Assignments
Front View 前視圖



Recommended Panel Cut-Out

- Note:
- * CC Important Dimension.
 - * Waterproof Rate : IP67
 - * One Set in One LTW Sealed Bag (每一組裝, 放置於一個 LTW 封口袋)
 - * Housing: Nylon+GF, Black.
 - * Female Pin: Copper Alloy, Gold Plated
 - * O-Ring1: EPDM 70, Black.
 - * O-Ring2: Silicone 60, Gray.
 - * Liquid Glue: Clear.

UNIT: mm TOLERANCE .X ±0.25 .XX ±0.1 .XXX ±0.05 ANGLES ±1°	TITLE Power, Panel Screw 4P F Conn F Pin		Amphenol LTW 安費諾亮泰企業股份有限公司		ITEM NO PWF-04PFFS-SC7001	DRAWN BY Sam	DATE 2014-11-13
	SCALE 1:1	SIZE A4			SHEET 1 OF 1	DWG NO PWF-04PFFS-SC7001	CHECKED BY Vicky
	REV. E	WC-REV. A.3	CC : Inspection item	CUSTOMER ALTW	APPROVED BY Rita	DATE 2014-11-13	

THIS DOCUMENT IS SUBJECT TO CHANGE WITHOUT NOTICE. IT IS CONFIDENTIAL AND A PROPERTY OF Amphenol LTW. DISCLOSURE TO THIRD PARTY HAS TO BE AUTHORIZED BY Amphenol LTW.