

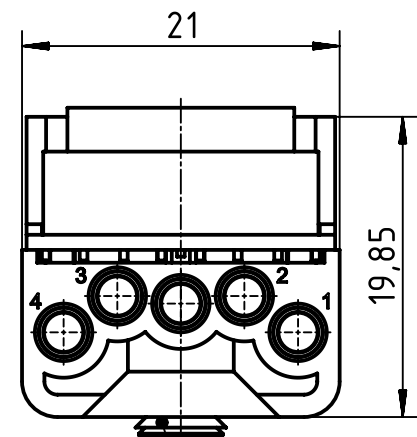
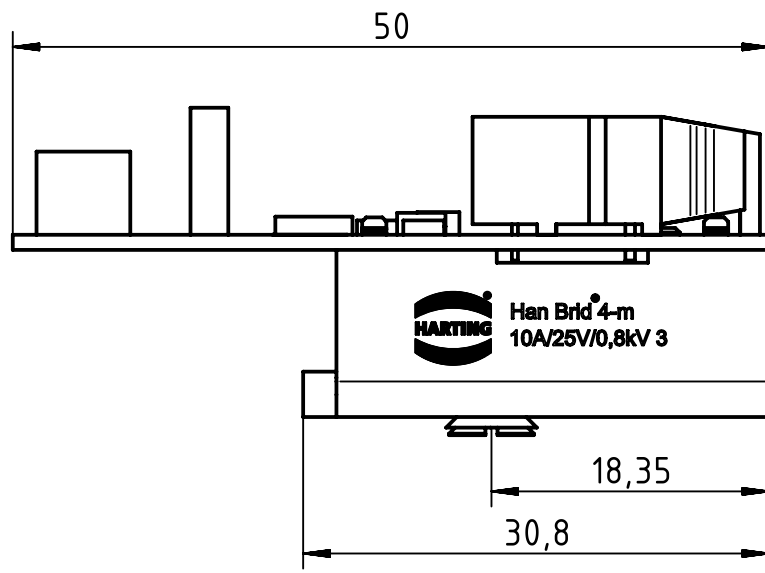
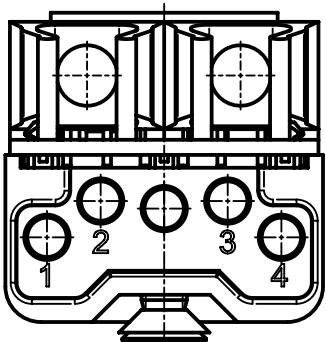
1 2 3 4 5 6

A

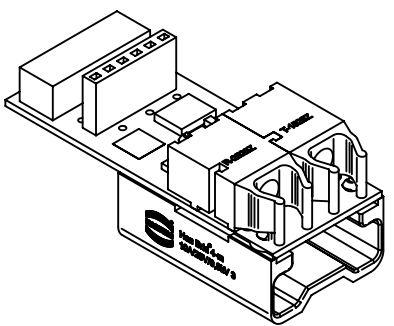
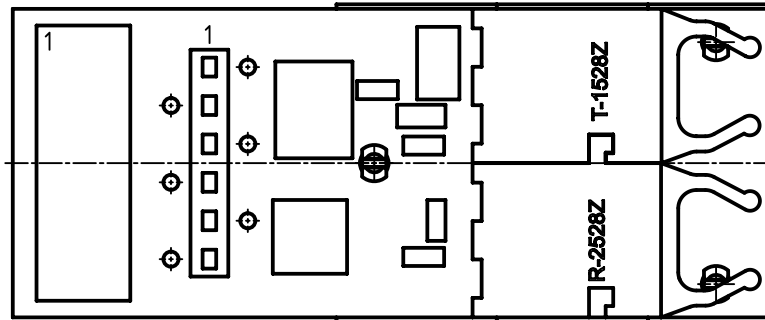
B

C

D



countersunk screw  
M3x6 enclosed separately



pin-out				
	/R	GND	+5VDC	/T
board stacker	5	4,6	1,3	2
IDC	8,9	1,4,7,10	2,3	5,6

	All Dimensions in mm Original Size DIN A4		Scale 1:1	Free size tol.		Ref.	
	All rights reserved Department EL PD - DE		Created by WULF	Inspected by STICKFORTH	Standardisation TIEMANNA	Date 2015-11-27	State Final Release
HARTING Electric GmbH & Co. KG D-32339 Espelkamp		Title Han Brid-Sti-c + opt.Mod. 12 MBit/s (G)				Doc-Key / ECM-Nr. 100096351/UGD/006/B 500000097545	
		Type TB	Number 09 12 004 2611			Rev. B	Page 1/1