

PART NAME

19"/23" EQUIPMENT CABINET RACK

PART No.

DC-8010

REV. DATE

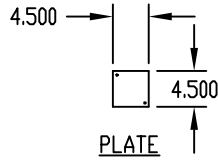
MATERIAL:

SIDES & DOORS _____ 20 GA. STEEL
 DOOR STIFFENERS _____ 18 GA. STEEL
 TOP, BOTTOM, RAIL SUPPORTS, PLATES
 & DOOR STOPS _____ 16 GA. STEEL
 VERTICAL RAILS _____ 14 GA. STEEL
 PANEL MOUNTING RAILS _____ 12 GA. STEEL

FINISH:

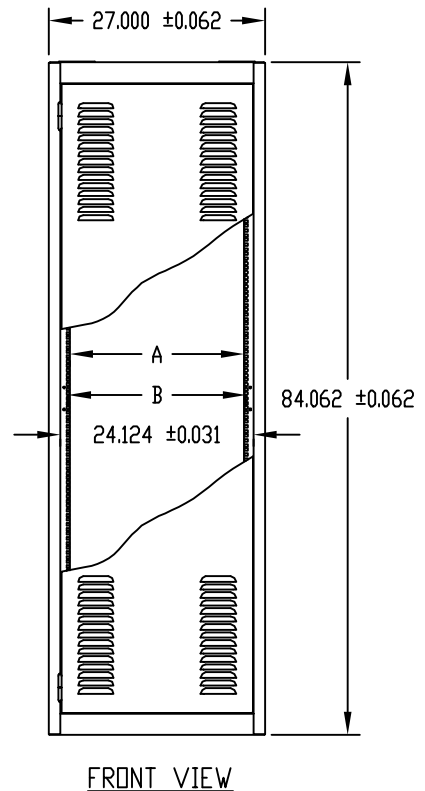
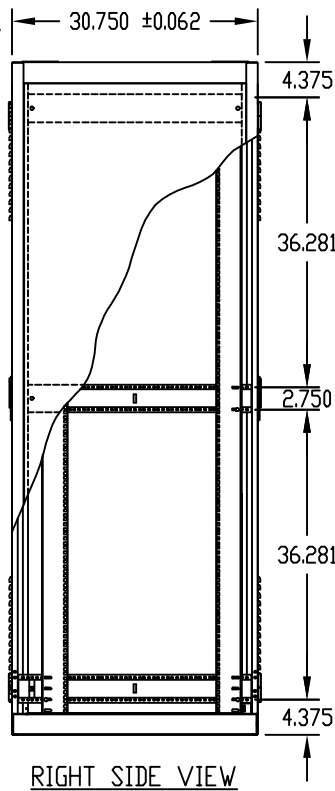
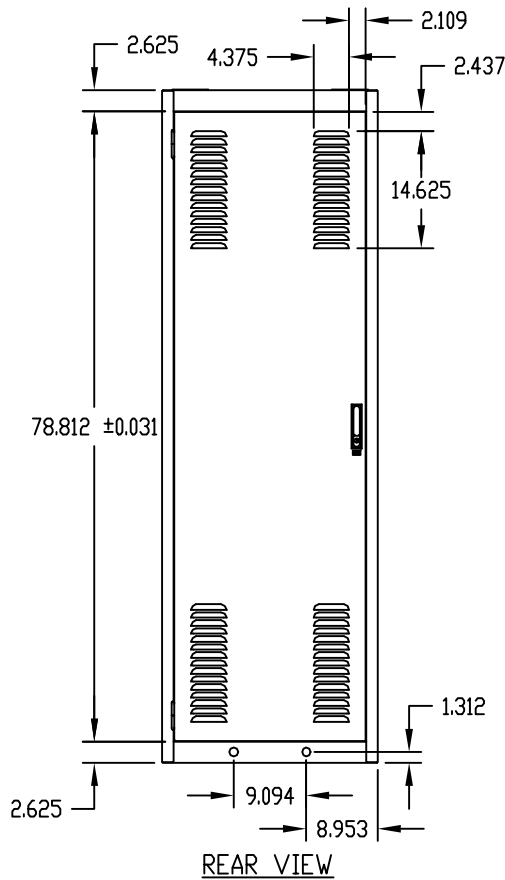
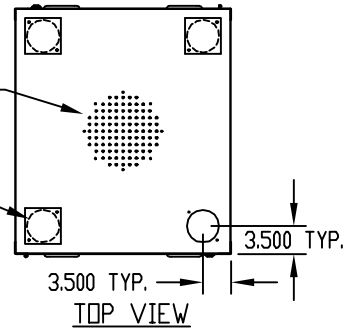
FRAME ASSEMBLY, SIDES, PLATES,
 DOORS & DOOR HINGES _____ SAND TEXTURE
 PANEL MOUNTING RAILS
 & DOOR STOPS _____ SMOOTH BLACK

LOAD RATING: 1200 LBS. MAX.



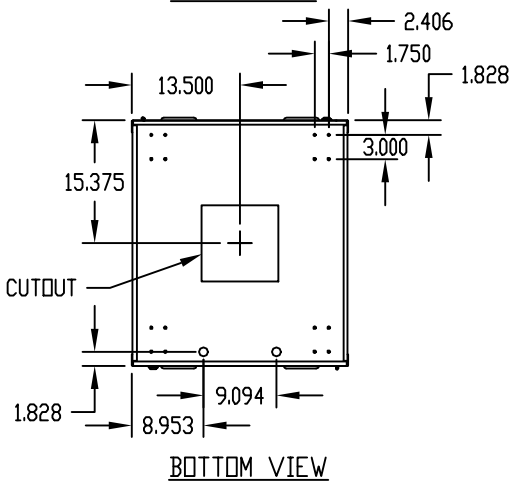
MOUNTING PROVISIONS FOR OPTIONAL FAN.

4.062 DIA. (4) HOLES



- NOTES:**
- ① PANEL MOUNTING RAILS WITH 0.343 SQ. HOLES ON E.I.A. UNIVERSAL SPACING AND ARE FULLY ADJUSTABLE.
 - ② MOUNTING HOLES PIERCED IN BASE FOR #RC-7758 SWIVEL CASTERS.

9.561 SQUARE CUTOUT



MOUNTING RAIL OPTION	DIMENSION A	DIMENSION B
19" PANEL SPACE MOUNTING RAIL POSITION	17.812 ±0.093	18.312 ±0.062
23" PANEL SPACE MOUNTING RAIL POSITION	21.812 ±0.093	22.312 ±0.062