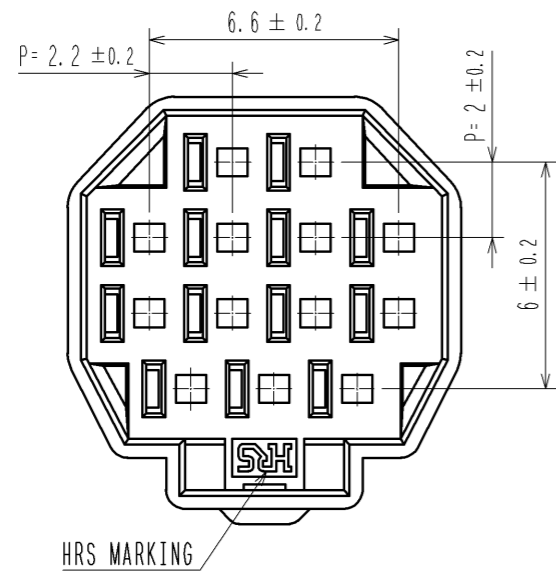
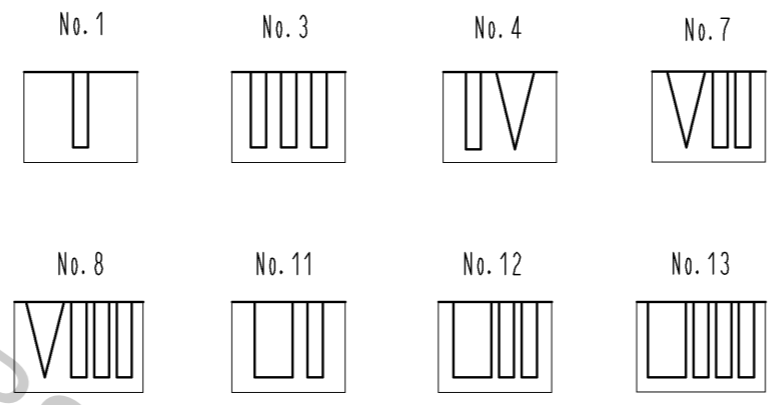


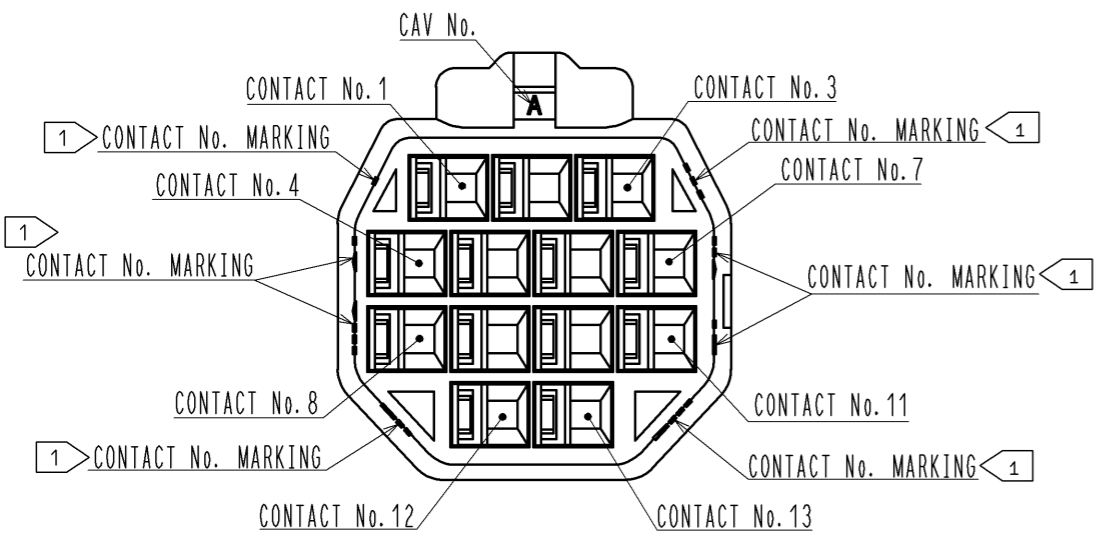
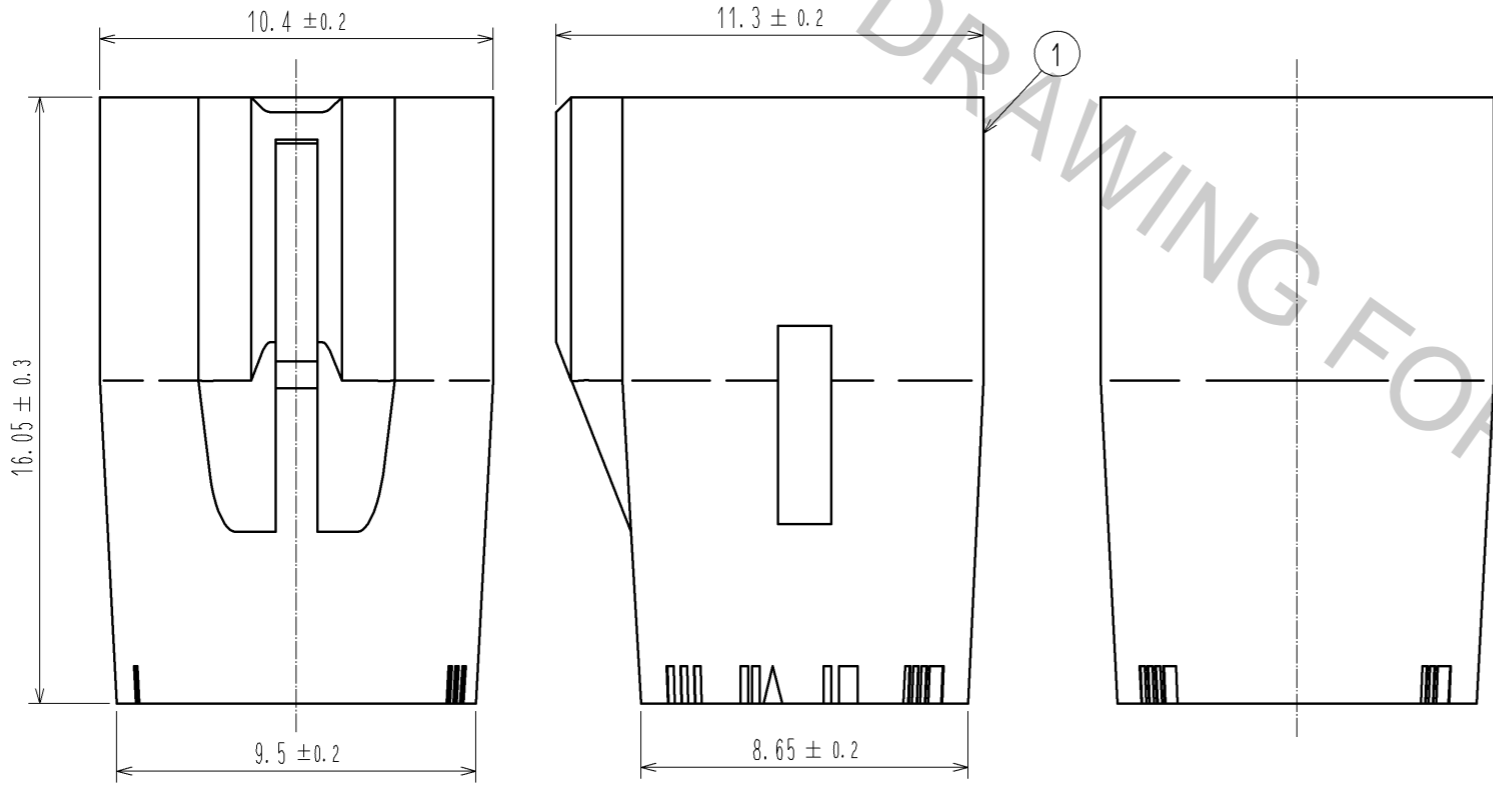
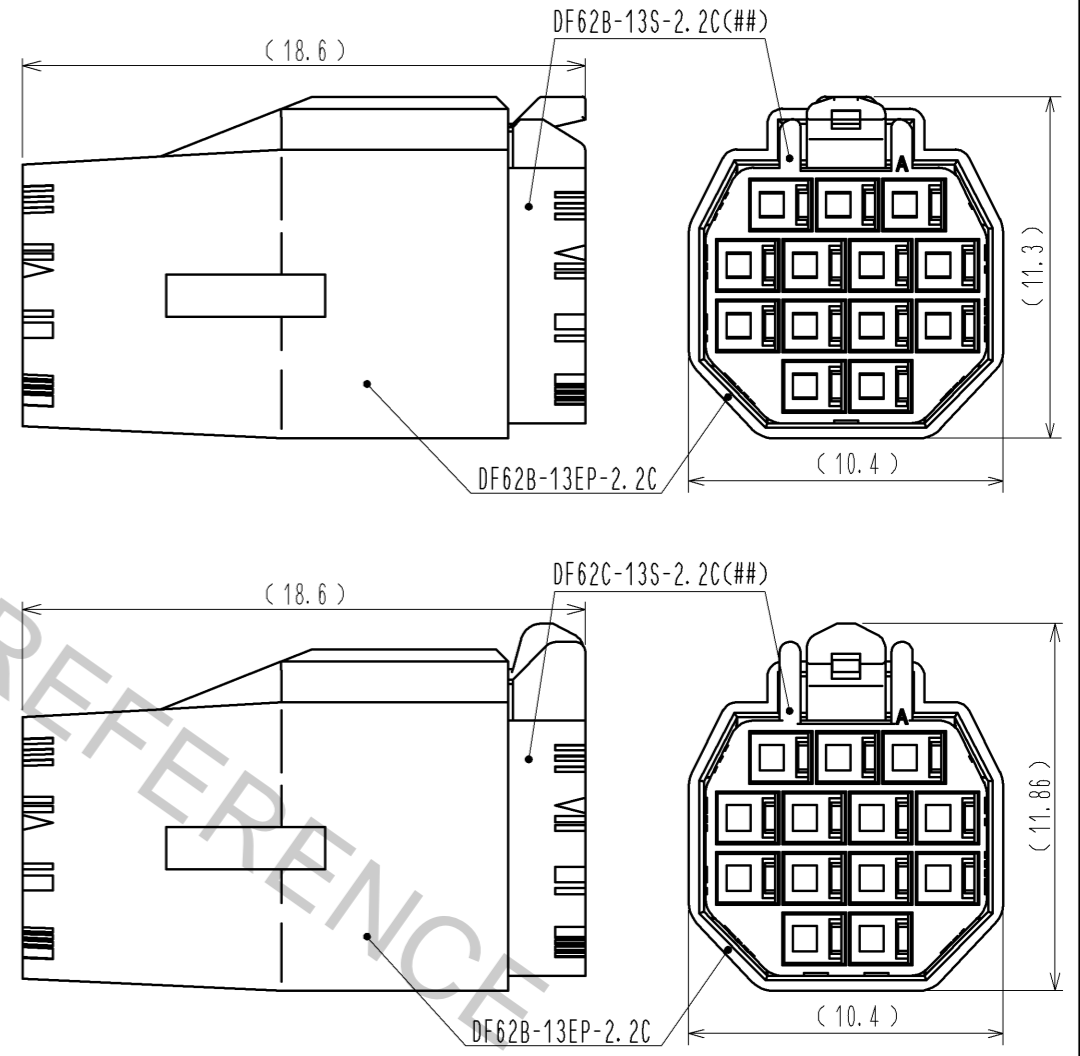
May.1.2017 Copyright 2017 HIROSE ELECTRIC CO., LTD. All Rights Reserved.



1 FIGURE-1 CONTACT No. MARKING (10:1)



MATING FIGURE (FREE)



NOTE. 1 MARKINGS AT THE INDICATED POSITIONS ARE CONTACT NO. MARKING. AND SHAPES ARE SHOWN IN FIGURE-1.
 2. PER PACK : 100 PIECES.
 3. THE DIMENSIONS IN PARENTHESIS ARE FOR REFERENCE.

NO.	MATERIAL	FINISH . REMARKS	NO.	MATERIAL	FINISH . REMARKS
			1	PBT	UL94V-0 (BLACK)
UNITS	mm	SCALE	5 : 1	COUNT	△
DESCRIPTION OF REVISIONS		DESIGNED	CHECKED	DATE	
APPROVED : KI. AKIYAMA		13.05.28	DRAWING NO. EDC3-351969-00		
CHECKED : HK. UMEHARA		13.05.28	PART NO. DF62B-13EP-2.2C		
DESIGNED : TS. KUMAZAWA		13.05.28	CODE NO. CL544-0564-1-00		
DRAWN : TS. KUMAZAWA		13.05.28	1/1		